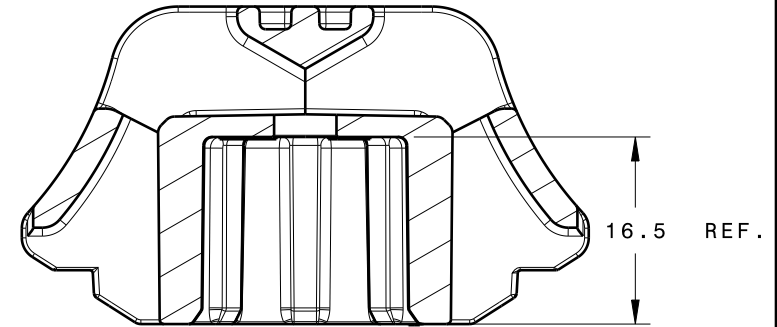
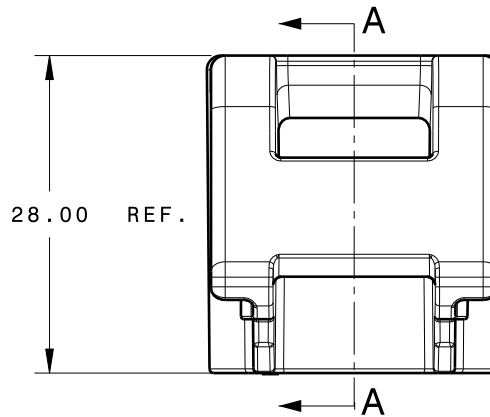
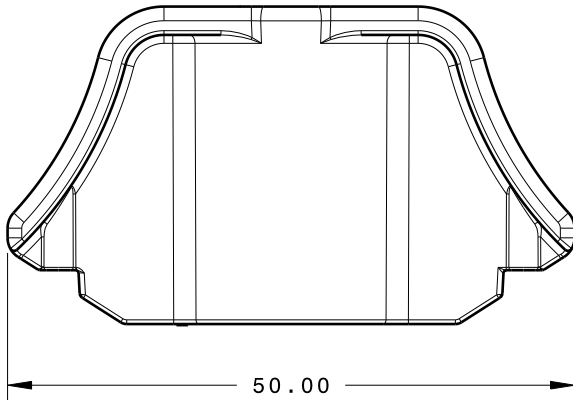
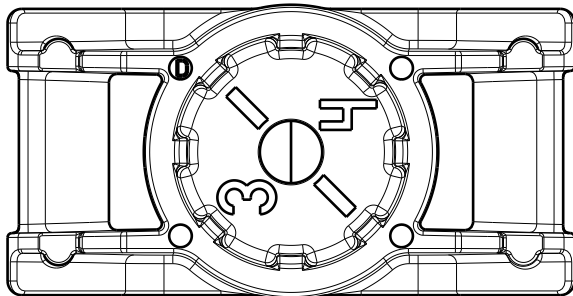


Isometric view  
Scale: 1:1



Section view A-A



INVENTORS

**HellermannTyton**<sup>®</sup>

ALL PROPRIETARY RIGHTS IN THE SUBJECT MATTER SHOWN ON THIS DRAWING ARE EXCLUSIVE PROPERTY OF HELLERMANN TYTON

name	date	city, state
SCOTT ADAMS	10/12/09	MENOMONEE FALLS, WI

REVISIONS

level	
by	SJA
date	3/31/10
ECN #	011484
part level	D

DIMENSIONS

TOLEPRANZ	.XXXX = ± 0.250
SECS	.XXX = ± 0.50
	.XX = ± 1.00
	.X = ± 2.00
	∠ = ± 1.00
	unless otherwise specified
units	millimeters

PART

number	HM7	phase	PRODUCTION
name 3/4" SPIN-ON ON H-MOUNT			
material NYLON 6/6, IMPACT MODIFIED, HEAT STABILIZED, UV STABILIZED COLOR: BLACK			

DRAWING

FORMAT	AH	CAD	CATIA V5	SCALE	3:2
VERSION	J				
A- SIZE (landscape)_N01		previous drawing number			
drawn	S. ADAMS	checked	J. PASSILLA	approval	
	10/12/09		2/4/10		
type	CUSTOMER			sheet 1 of 1	
number	MT09-0354-013CST				