

LOC	DIST	REVISIONS					
A	66	P	LTR	DESCRIPTION	DATE	DWN	APVD
			C2	SEE PRODUCT DRAWING	-	-	-


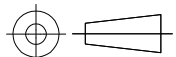
SEE PRODUCTION DRAWING
680140

THIS DRAWING IS UNPUBLISHED.

ALL INTERNATIONAL RIGHTS RESERVED.

BY TYCO ELECTRONICS CORPORATION.

© COPYRIGHT

DIMENSIONS: INCHES	DWN	21SEP2010	MATERIAL	-	FINISH	-
	CHK	M.YOUNGER	 Tyco Electronics Corporation Harrisburg, PA 17105-3608			
TOLERANCES UNLESS OTHERWISE SPECIFIED:	APVD	-	NAME			
	PRODUCT SPEC	-	SIDE FEED HDM APPLICATOR			
0 PLC ± -	APPLICATION SPEC	-	SIZE	CAGE CODE	DRAWING NO	RESTRICTED TO
1 PLC ± -	WEIGHT	-	A4	00779	C-680140	-
2 PLC ± -			CUSTOMER DRAWING			SCALE
3 PLC ± -						1:1
4 PLC ± -						SHEET
ANGLES ± -						1 OF 1
				REV		
				C2		