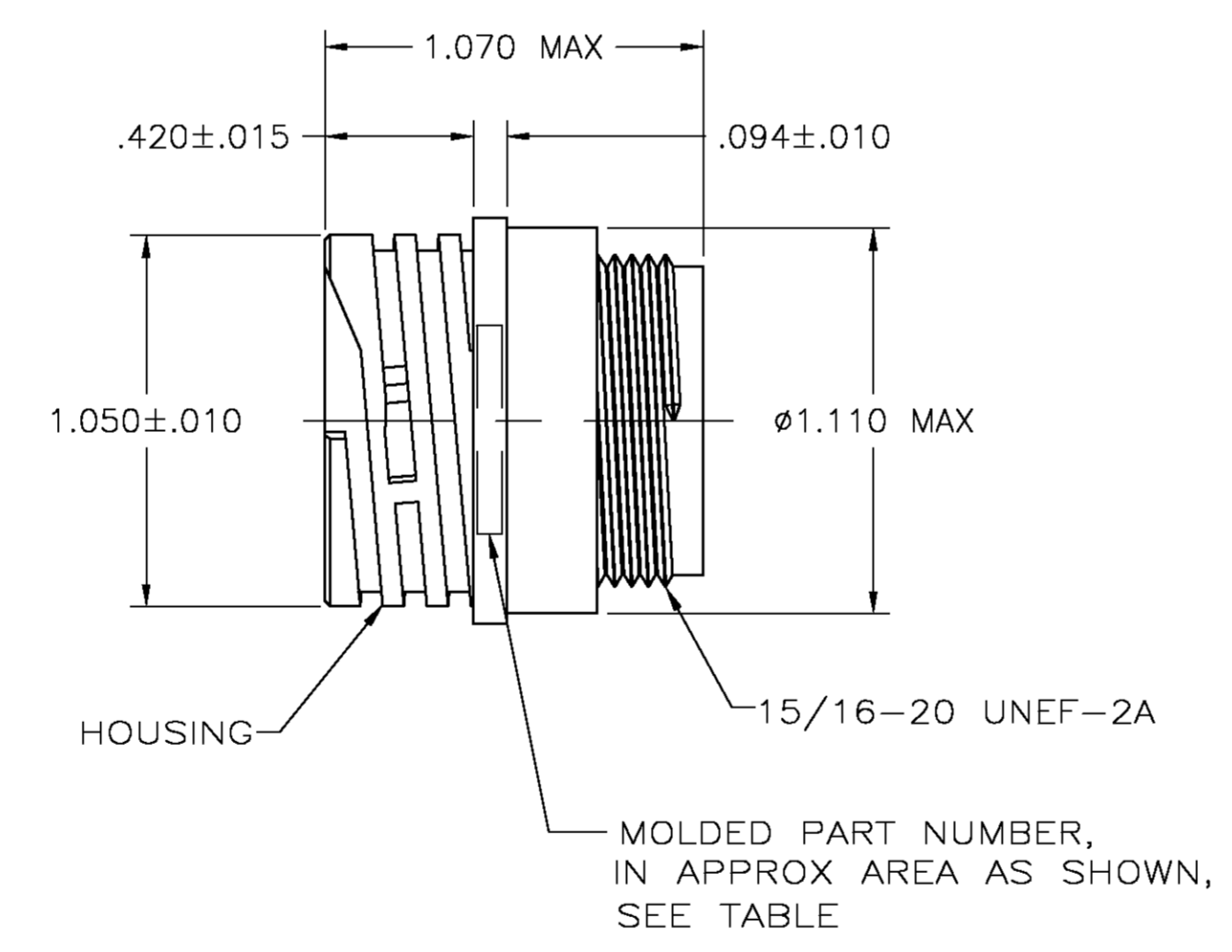
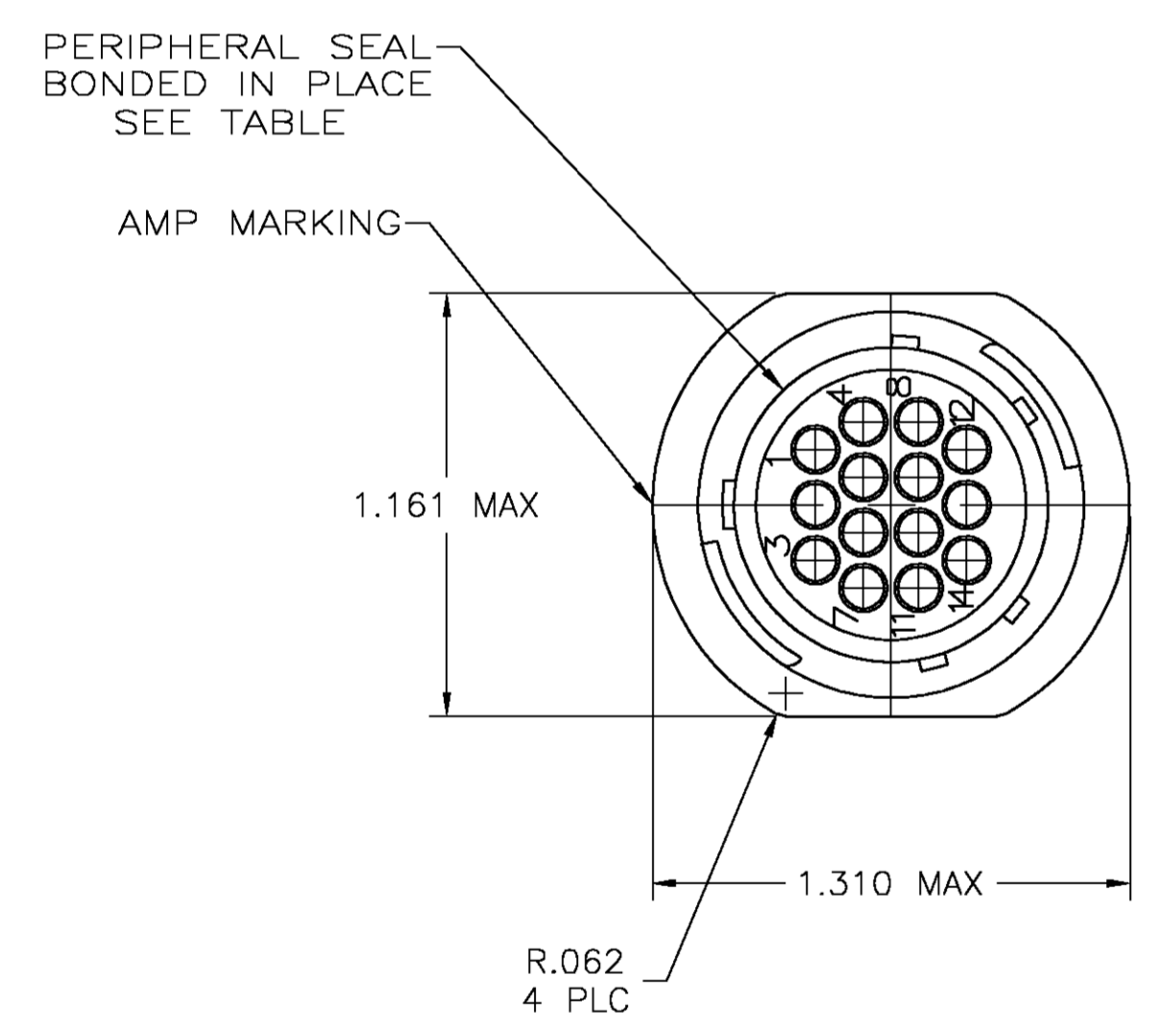


RECOMMENDED PANEL CUTOUT

DETAIL A



DETAIL B

NOTES:

1. CAVITY IDENTIFICATION ON FRONT AND REAR FACE.
  2. WILL ACCEPT FOURTEEN (14) MULTIMATE SOCKET CONTACTS.
- ⚠ PRELIMINARY PART NUMBER.

⚠ 4-40 THREADED INSERTS	-	STANDARD	YES	A	206043-8
Ø.150	-	SMALL PACK	NO	A	206043-6
-	-	STANDARD	YES	B	206043-5
Ø.150	-	STANDARD	YES	A	206043-4
-	-	STANDARD	NO	B	206043-3
Ø.150	206043-1	STANDARD	NO	A	206043-1
C	MOLDED PART NUMBER	PACKAGING	PERIPHERAL SEAL	SEE DETAIL	PART NO.

THIS DRAWING IS A CONTROLLED DOCUMENT.

DIMENSIONS: INCHES	TOLERANCES UNLESS OTHERWISE SPECIFIED:	DNV: W. LENKER 09/10/92	Tyco Electronics Corporation Harrisburg, PA 17105
0 PLC ± - 1 PLC ± - 2 PLC ± ± 0.13 [.005] 3 PLC ± - 4 PLC ± - ANGLES ± ± -	APVD: R. STONE 08/11/93 PRODUCT SPEC: 108-10024 APPLICATION SPEC:	NAME: R. STONE SIZE: A1 CAGE CODE: 00779 DRAWING NO: 206043	
MATERIAL: HOUSING: NYLON BLACK	FINISH: -	WEIGHT: -	CUSTOMER DRAWING SCALE: 2:1 SHEET: 1 OF 1 REV: P