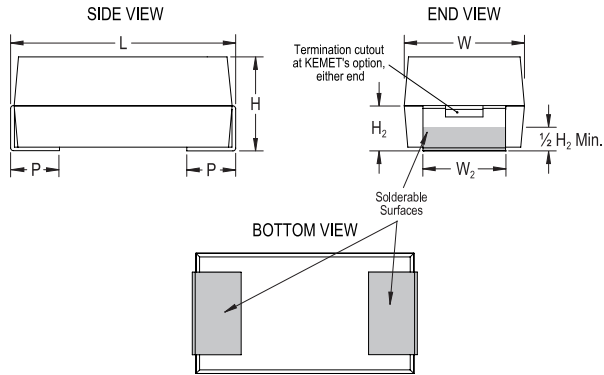


KEMET Part Number: CWR09KC106KB
(T409G106K025BC)



T409_CWR09, Tantalum, MnO2 Tantalum, Military/High Reliability, 10 uF, 10%, 25 VDC, SMD, MnO2, Molded, Military Equivalent, B (0.1%/1000 Hrs), 1.4 Ohms, 6728, Height Max = 3.17mm



| Dimensions | |
|------------|-----------------------|
| Footprint | 6728 |
| L | 6.73mm +/-0.38mm |
| W | 2.79mm +/-0.38mm |
| H | 2.79mm +/-0.38mm |
| S | 1.27mm +0.025/-0.13mm |
| F | 2.67mm +/-0.13mm |
| A | 4.19mm NOM |
| K | 1.52mm MIN |
| P | 0.76mm MIN |

| Packaging Specifications | |
|--------------------------|------------|
| Weight: | 266.42 mg |
| Packaging: | T&R, 178mm |
| Packaging Quantity: | 500 |

| General Information | |
|---------------------|---|
| Supplier: | KEMET |
| Series: | T409_CWR09 |
| Dielectric: | MnO2 Tantalum |
| Style: | SMD Chip |
| Description: | SMD, MnO2, Molded, Military Equivalent |
| RoHS: | No |
| Termination: | Hot Solder Dipped |
| Qualifications: | MIL-PRF-55365/4, CWR09 Style |
| Notes: | Note: When Option C Is Selected For Lead Material, Add An Additional 0.38mm To The Tolerances For "L", "W", "H", "K", "F" And "S". P And R Dimensions Represents The Minimum Solderable Area Of The Termination Surface Entirely Below Cutout (If One Is Present) |

| Specifications | |
|--------------------------|--------------------------------|
| Capacitance: | 10 uF |
| Capacitance Tolerance: | 10% |
| Voltage DC: | 25 VDC (85C), 16.75 VDC (125C) |
| Temperature Range: | -55/+125C |
| Rated Temperature: | 85C |
| Dissipation Factor: | 6.00% |
| Failure Rate: | B (0.1%/1000 Hrs) |
| Resistance: | 1.4 Ohms (100kHz) |
| Leakage Current: | 3 uA (20C) |
| Testing and Reliability: | Standard Testing Only |

Statements of suitability for certain applications are based on our knowledge of typical operating conditions for such applications, but are not intended to constitute - and we specifically disclaim - any warranty concerning suitability for a specific customer application or use. This Information is intended for use only by customers who have the requisite experience and capability to determine the correct products for their application. Any technical advice inferred from this Information or otherwise provided by us with reference to the use of our products is given gratis, and we assume no obligation or liability for the advice given or results obtained.

