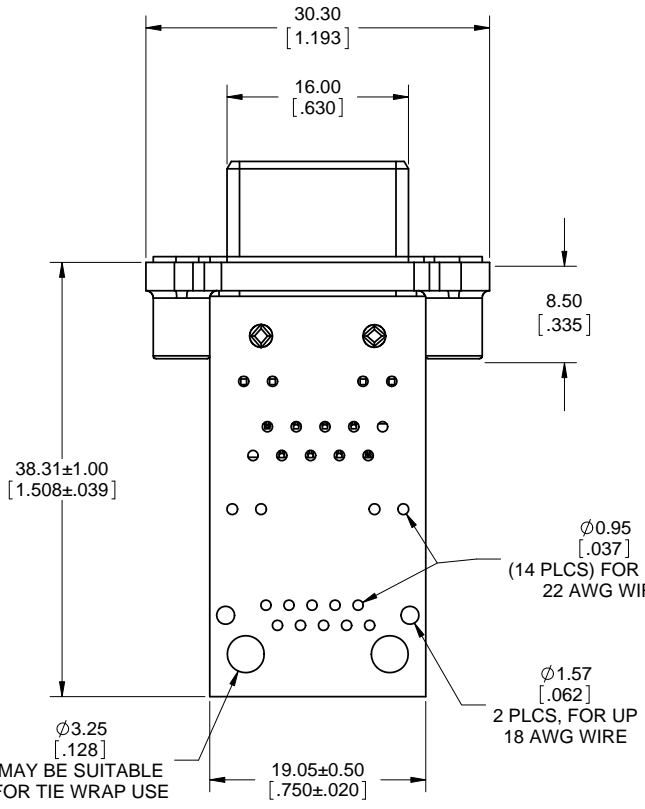
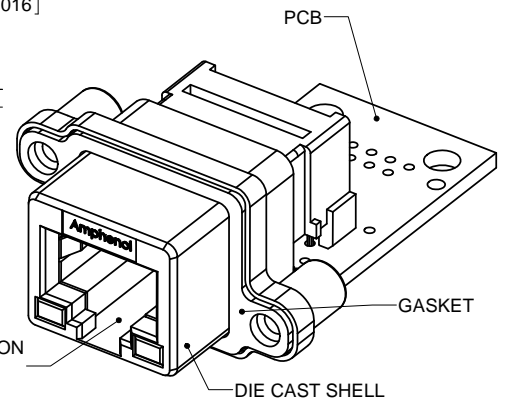
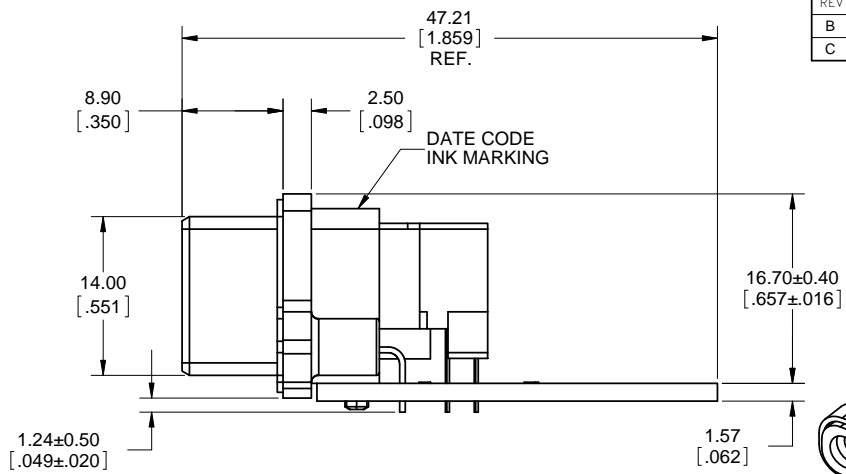
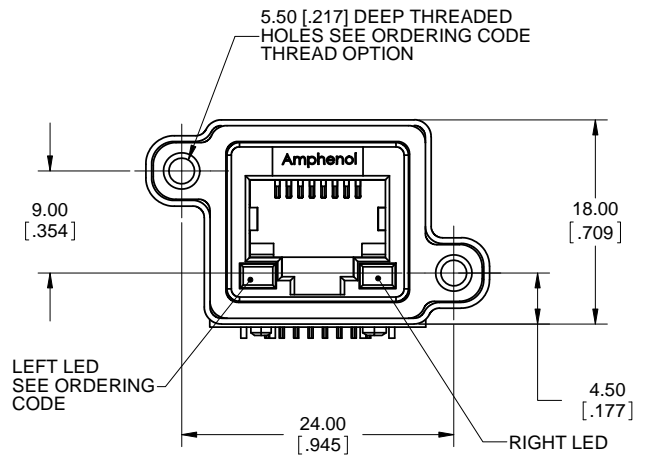


REVISIONS			
REV	DESCRIPTION, ECN, EAR NO.	DATE	APP'D
B	PROPOSAL DRAWING (EAR 13586)	AUG27/09	K.L.
C	PROPOSAL DRAWING (EAR 14296)	JUL24/14	K.L.



ORDERING CODE: MRJ-5CXX-X1

SERIES, RUGGED RJ
 RECEPTACLE, RIGHT ANGLE, ON PCB WITH HOLES FOR WIRING
 NUMBER OF CONTACTS
 8= 8 CONTACTS
 A=10 CONTACTS
 LED OPTION
 0=NONE
 1=GREEN LEFT, YELLOW RIGHT
 4=YELLOW LEFT, GREEN RIGHT
 5=GREEN LEFT, GREEN RIGHT
 MOUNTING HOLE THREAD
 OPTION
 0= #4-40 UNC THREAD
 M= M3 x 0.5 THREAD
 SINGLE PORT

NOTES:

- MATERIAL:**
 ALL MATERIALS ARE RoHS COMPLIANT PER EU DIRECTIVE 2011/65/EU AND AMENDMENTS
 • SHELL - DIECAST ZINC, NICKEL PLATED
 • CONTACTS - PHOSPHOR BRONZE WITH 50 MICROINCHES (1.27 MICRONS) GOLD OVER 50 MICROINCHES (1.27 MICRONS) MINIMUM NICKEL ON THE MATING AREA AND MATTE TIN OVER NICKEL ON THE CONTACT TAILS.
 • INSERTS - ENGINEERING THERMOPLASTIC, UL FLAMMABILITY RATING 94V-0, REAR INSERTS: BLACK NYLON, FRONT INSERT: CLEAR POLYCARBONATE
 • LED'S - EPOXY LENS, STEEL TAILS WITH TIN PLATING
 • GASKET - SILICONE RUBBER
 • PCB - FR-4 FIBERGLASS, LEAD FREE
- ENVIRONMENTAL PERFORMANCE PER IEC 60529 CODE IP67 FOR SEAL BETWEEN MATING AREA AND PCB SIDE OF CONNECTOR. GASKET PROVIDES SEAL TO INSIDE FACE OF PANEL.
- CURRENT RATING: 1.5 AMPERES.
- CONTACT RESISTANCE: 50 MILLIOHMS.
- OPERATING TEMPERATURE: -40C TO +105C.
- AVAILABLE MATING AREA COVERS PROVIDE ADDED PROTECTION. CONSULT WITH AMPHENOL CANADA FOR DETAILS.
- CUSTOMER TO VERIFY THAT ALL PROCESS CLEANERS ARE COMPATIBLE WITH POLYCARBONATE MATERIAL.



UNLESS SPECIFIED OTHERWISE	DRAWN	A.CHAN	AUG27/09
PRIMARY UNITS MILLIMETERS	CHECKED		
SECONDARY UNITS INCHES	M.E. APP'D		
REFERENCE IN PARENTHESES	Q.A. APP'D		
GENERAL TOLERANCES	DWG APPR.	K.LAMBIE	AUG27/09
1 DECIMAL PLACE	ENG. REL. NO.		
2 DECIMAL PLACES ±0.15	REF.		
3 DECIMAL PLACES	THIRD ANGLE PROJECTION		
ANGULAR DEGREES	DO NOT SCALE DRAWING		

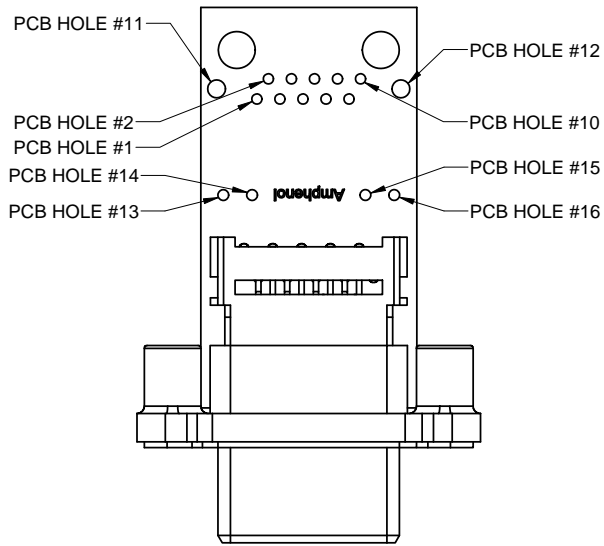
Amphenol Canada Corp.

MRJ SERIES RUGGED MODULAR JACK, 8 & 10 POSITION, RIGHT ANGLE, ON PCB WITH HOLES FOR WIRING, LED & THREAD OPTIONS, RoHS COMPLIANT

DWG. NO. **P-MRJ-5CXX-X1** REV **C**

CODE ID NO. 03554 DWG SIZE: X SCALE: 3:1 SHEET 1 OF 2

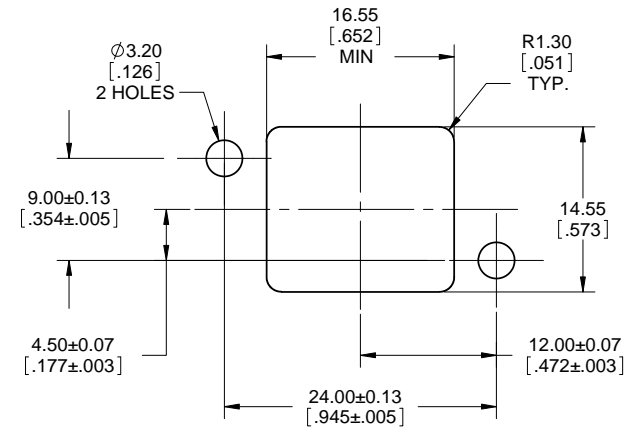
VIEWS FOR 8 OR 10 POSITION



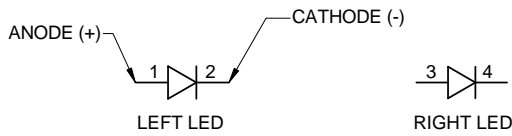
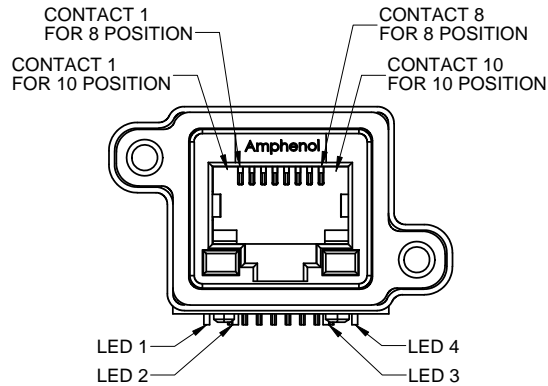
MRJ TO PCB CONNECTION CHART

MRJ CONNECTOR STYLE		CONNECTED TO PCB HOLE
8 POSITION	10 POSITION	
SHELL/GROUND	SHELL/GROUND	11 & 12
---	CONTACT 1	1
CONTACT 1	CONTACT 2	2
CONTACT 2	CONTACT 3	3
CONTACT 3	CONTACT 4	4
CONTACT 4	CONTACT 5	5
CONTACT 5	CONTACT 6	6
CONTACT 6	CONTACT 7	7
CONTACT 7	CONTACT 8	8
CONTACT 8	CONTACT 9	9
---	CONTACT 10	10
LED 1	LED 1	13
LED 2	LED 2	14
LED 3	LED 3	15
LED 4	LED 4	16

REVISIONS			
REV	DESCRIPTION, ECN, EAR NO.	DATE	APP'D
B	PROPOSAL DRAWING (EAR 13586)	AUG27/09	K.L.
C	PROPOSAL DRAWING (EAR 14296)	JUL24/14	K.L.



RECOMMENDED PANEL CUTOUT



LED POLARITY



UNLESS SPECIFIED OTHERWISE	DRAWN	A.CHAN	AUG27/09
PRIMARY UNITS MILLIMETERS	CHECKED		
SECONDARY INCHES	M.E. APP'D		
REFERENCE IN PARENTHESES	Q.A. APP'D		
GENERAL TOLERANCES	DWG APPR.	K.LAMBIE	AUG27/09
1 DECIMAL PLACE	ENG. REL. NO.		
2 DECIMAL PLACES ±0.15	REF.		
3 DECIMAL PLACES	THIRD ANGLE PROJECTION		
ANGULAR DEGREES	DO NOT SCALE DRAWING		

Amphenol Canada Corp.
MRJ SERIES RUGGED MODULAR JACK, 8 & 10 POSITION, RIGHT ANGLE, ON PCB WITH HOLES FOR WIRING, LED & THREAD OPTIONS, RoHS COMPLIANT

DWG. NO. **P-MRJ-5CXX-X1** REV **C**

CODE ID NO. 03554 DWG SIZE: X SCALE: 1:0.3 SHEET 2 OF 2