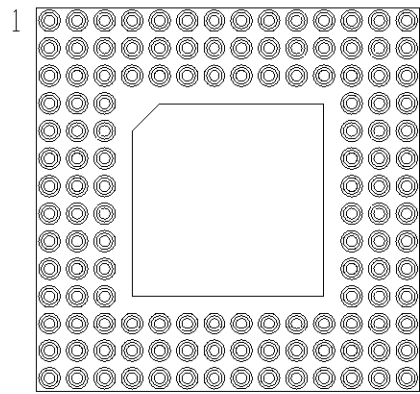
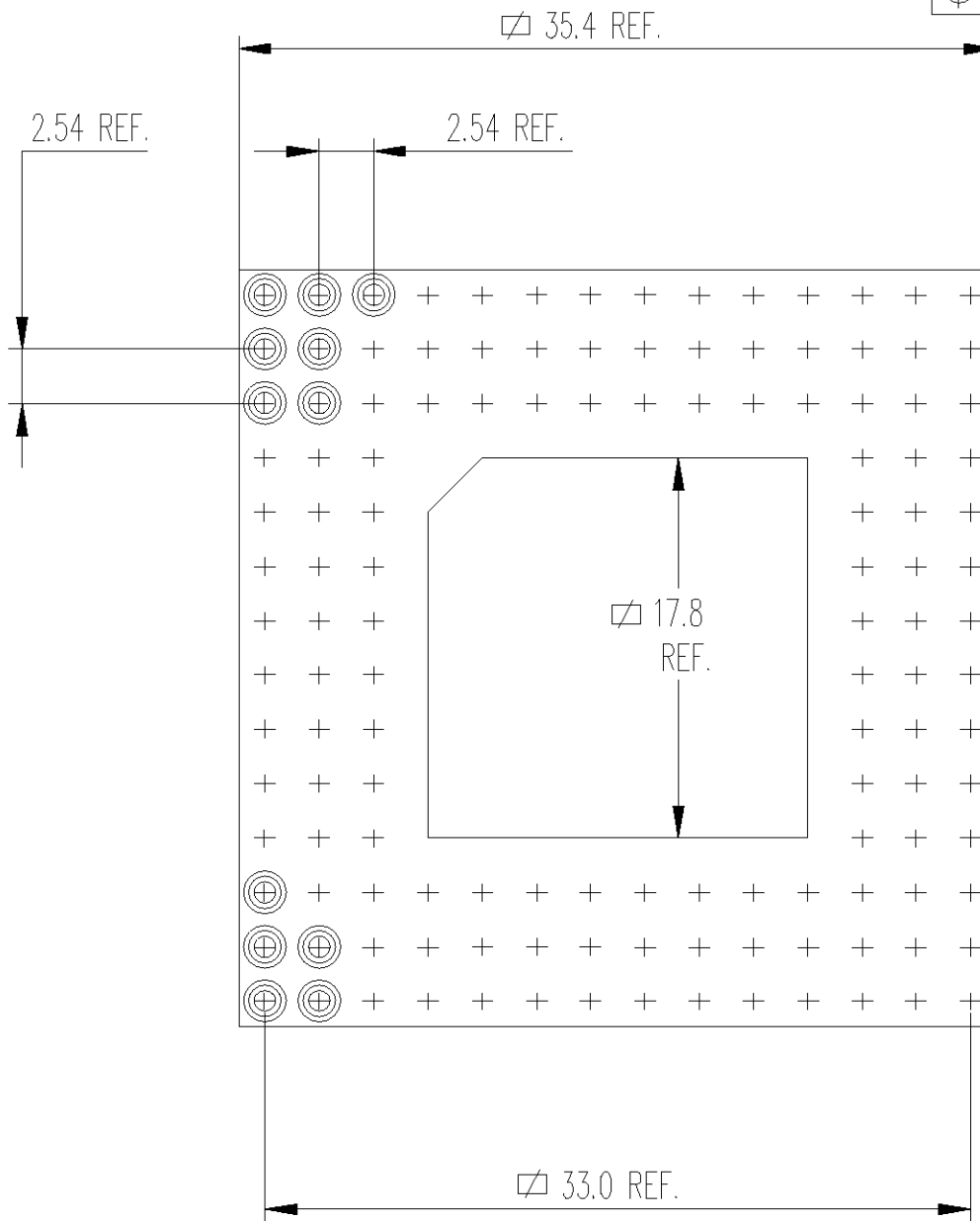
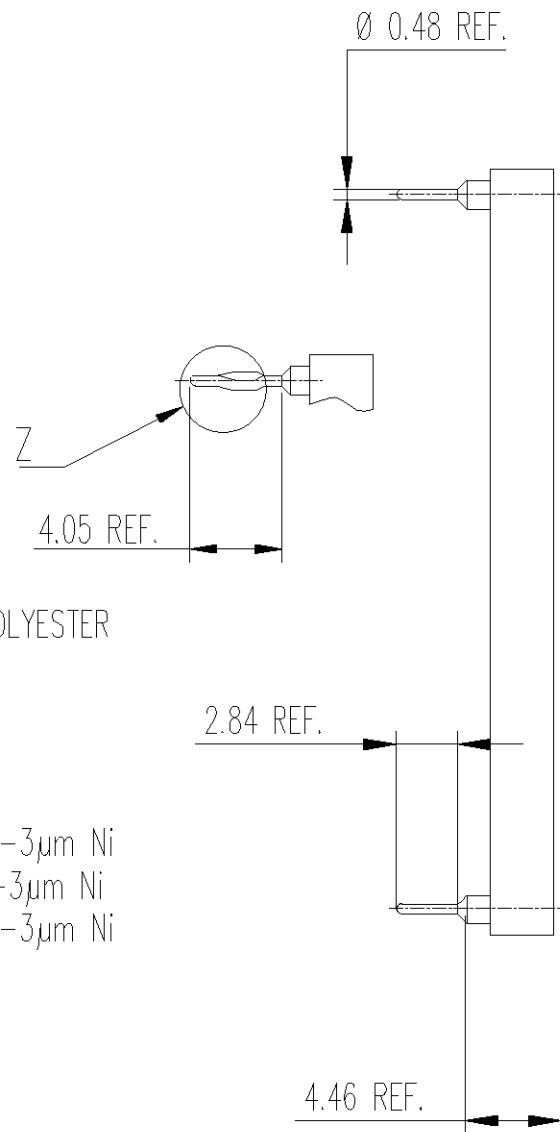


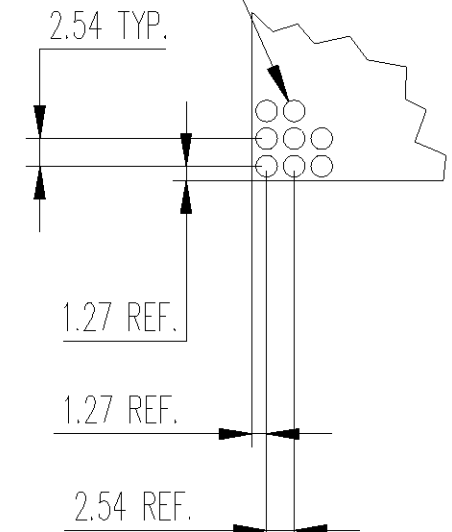
DRAWING NO
C - 210793



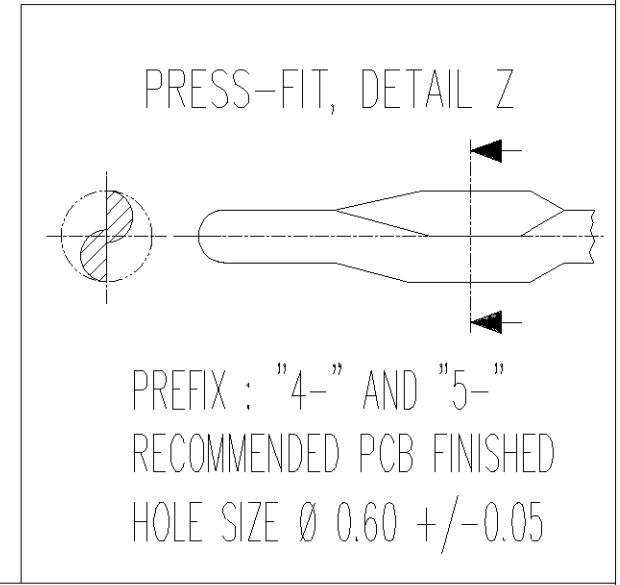
132 positions
Ech. 1:1



Ø 0.8 TYP.
⊕ Ø 0.10 ⊖



RECOMMENDED P.C.
BOARD PATTERN



NOTE :

- MATERIAL
 - INSULATOR : GLASSFILLED THERMOPLASTIC POLYESTER
 - SOLDER TAIL SLEEVE : BRASS
 - PRESS-FIT SLEEVE : PHOSPHOR BRONZE
 - CLIP : STAMPED BERYLLIUM COPPER
- SLEEVE PLATING:
 - PREFIX "0-" AND "2-": 5µm Sn/Pb OVER 2-3µm Ni
 - PREFIX "1-" AND "3-": 0.25µm Au OVER 2-3µm Ni
 - PREFIX "4-" AND "5-": 3µm Sn/Pb OVER 2-3µm Ni
- INNER CONTACT PLATING
 - SUFFIX "-1" 0.25µm 18c. Au
 - SUFFIX "-3" 0.75µm 18c. Au
 - SUFFIX "-4" 0.75µm 24c. Au
 - SUFFIX "-5" 5µm MIN. Sn/Pb **
 - SUFFIX "-6" 0.1µm FLASH 24c. Au
 - ** ONLY WITH PREFIX "0-", "2-", "4-" AND "5-"
- INNER SPRING CONTACT ACCEPT Ø 0.40 TO 0.56
OR RECTANGULAR PIN 0.25 x 0.45
- INSERTION CHARACTERISTICS:
 - PREFIX "0-", "1-" AND "4-" : VERY LOW FORCE
 - PREFIX "2-", "3-" AND "5-" : ULTRA LOW FORCE
- MECHANICAL DATA WITH A Ø 0.43 TEST PIN :

	VLI	ULI
-MAX. INSERTION FORCE :	0.7N	0.2N
-MIN. EXTRACTION FORCE :	0.1N	0.05N
-MECHANICAL LIFE :	100 CYCLES MIN.	

WAS 700-132-14-0-CC AND CCAP

DIMENSIONS	mm									DRAWN P.-A. MEIER 02 APR 97
										CHECKED A. BOLIS 03 APR 97
SURFACE TEXTURE	N7 (✓)	A2	EW00 0160 02	O. GENDRE	24 JUN 02	S. KEMPTER				APPROVED
CONCENTRICITY	0.15	A1	DRAWING UPDATED	P.-A. MEIER	14 APR 98					
PRODUCT SPEC.		A	EW00-0023-97	P.-A. MEIER	02 APR 97	P.-A. MEIER				
		P	REV	ECN	DRWN	DATE	APVD	CUSTOMER DRAWING FOR REFERENCE ONLY		

THIS INFORMATION IS CONFIDENTIAL AND IS DISCLOSED TO YOU ON CONDITION THAT NO FURTHER DISCLOSURE IS MADE BY YOU TO OTHER THAN AMP PERSONNEL WITHOUT WRITTEN AUTHORIZATION FROM DSM SWITZERLAND.

NAME
OPEN FRAME PGA
14 x 14, 132 SOCKETS



DSM DECOLLETAGE SA SAINT-MAURICE
CH 1890 SAINT-MAURICE (VS)

LOC EK	SCALE 2/1	SIZE A4	DRAWING NO C - 210793	SHEET 1 of 1	REVISION A2
-----------	--------------	------------	--------------------------	-----------------	----------------