

PI2EQX862

PCIe 3.0/SATA3.0, 1-Lane, Combo ReDriver™

Description

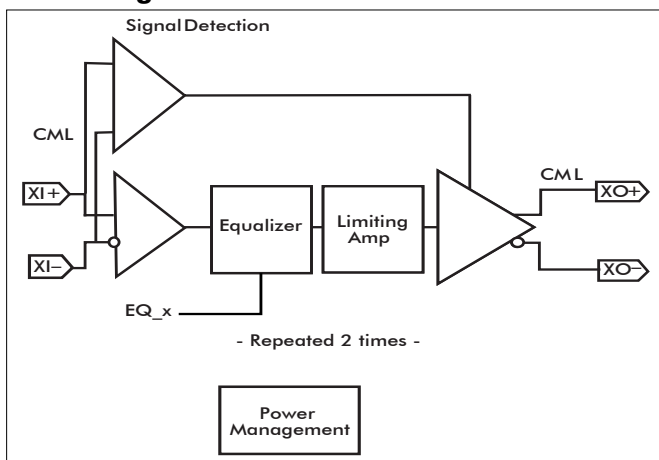
Pericom's PI2EQX862 is a low power, cost effective 8.0/6.0Gbps ReDriver designed as a cost effective PCIe 3.0 and/or SATA 3.0 1-Lane solution. The device provides programmable equalization and De-Emphasis to optimize performance over a variety of physical mediums by reducing Inter-Symbol Interference.

PI2EQX862 supports two 100Ω Differential CML data I/O's between the Protocol ASIC to a switch fabric, over cable, or to extend the signals across other distant data pathways on the user's platform.

The integrated equalization circuitry provides flexibility with signal integrity of the signal before the ReDriver. A low-level input signal detection and output squelch function is provided for each channel. Each channel operates fully independently. The channels' input signal level (on XI+/-) determines whether the output is active. If the input signal level of the channel falls below the active threshold level (Vth-) then the outputs are driven to the common mode voltage.

The PI2EQX862 also includes an automatic receiver detect function. The receiver detection loop will be active again if the corresponding channel's signal detector is idle for longer than 7.3mS. The channel will then move to Unplug Mode if load not detected, or it will return to Low Power Mode (Slumber Mode) due to inactivity.

Block Diagram



Features

- PCIe 3.0 and SATA 3.0 compatible
- Two 8.0/6.0Gbps differential signal pairs
- Adjustable Receiver Equalization
- 100Ω Differential CML I/O's
- Pin Configured Output Emphasis Control
- Input signal level detect and squelch for each channel
- Automatic Receiver Detect
- Low Power : ~7mW Unplug Mode
- Auto "Slumber" mode for adaptive power management
- Single Supply Voltage: 1.2V
- Packaging: 18-Pin TQFN 2 x 2 mm

Application Diagram

