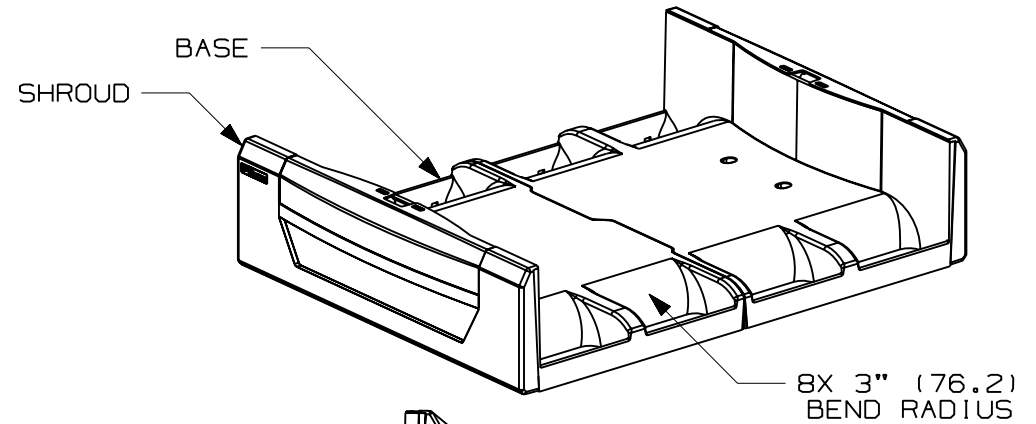


PANDUIT PART NUMBER	WEIGHT
CRB6BL	17.58 LB/EA (7974g/EA)

**NOTES:**

- SEE CURRENT CATALOG FOR ADDITIONAL PART SUFFIXES TO INDICATE COLOR AND/OR PACKAGE QUANTITY.
- THE NET-ACCESS OVERHEAD CABLE ROUTING BASE INCLUDES:  
TWO (2) BASES,  
TWO (2) SHROUDS,  
FOUR (4) 1/4-20x1 HEX SLOTTED WASHER HEAD MACHINE SCREWS,  
FOUR (4) 1/4-20 HEX WASHER LOCK NUTS
- DIMENSIONS IN PARENTHESES ARE IN METRIC.



ENG. REF.: D39503CM\_DC/00 CRB6BL

CAD FILENAME/LAYERS  
CRB6BL.pdf

**PANDUIT** CORP TINLEY PARK, ILLINOIS  
NET-ACCESS OVERHEAD CABLE  
ROUTING BASE (CRB6BL)  
CUSTOMER DRAWING

UNLESS OTHERWISE SPECIFIED,  
DIMENSIONAL TOLERANCES ARE:  
(.X) ± (.XXX) ±  
(.XX) ± .03 (.8) ANGLES ±

UNLESS OTHERWISE SPECIFIED,  
ALL DIMENSIONS ARE GIVEN IN  
INCHES, THIRD ANGLE PROJECTION.

DRAWN BY MSO	MAT'L: ABS	SCALE NONE
DATE 1-10-08		DRAWING NO. 39503-16
CHK'D SL		DWG A SIZE

REV	DATE	BY	CHK	DESCRIPTION	ECN	R	CUST	SUP	GMBH
R	1-10-08	MSO	SL	RELEASED TO PRODUCTION	39503-16	RN	RN		