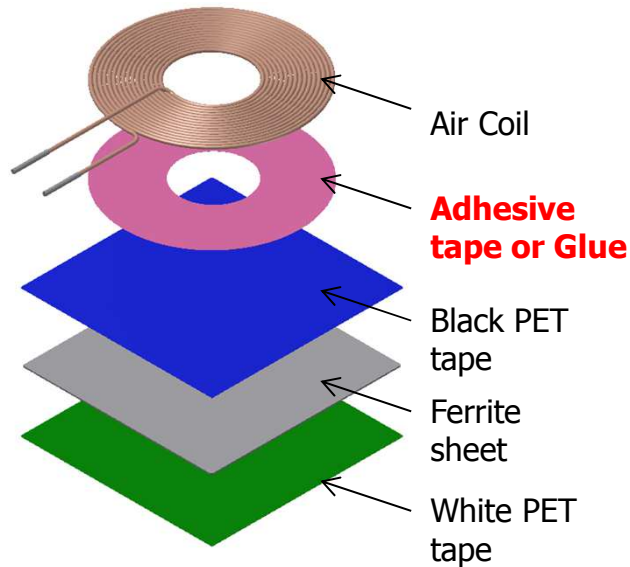


TDK P/N: : WR55540-16K2-FS2(Rev.2)

<Structure>



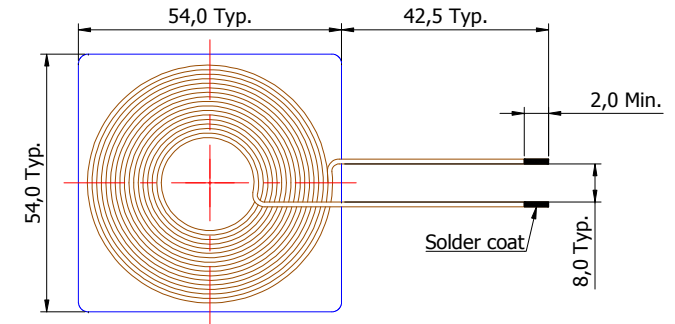
<Thickness>

Unit:mm		
Wireless charging Coil thickness (Include I/O)	Typ.	Max.
Coil+Resin	0.94	1.14
Coil+Resin	0.94	1.14
Adhesive Tape	0.03	0.03
PET Tape	0.03	0.03
Main sheet	0.40	0.44
PET Tape	0.03	0.03
Total	2.37	2.81

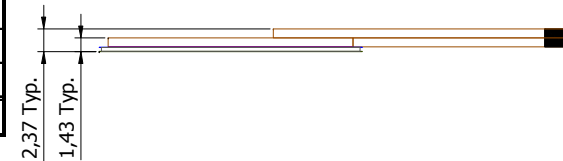
Unit:mm		
Wireless charging Coil thickness	Typ.	Max.
Coil+Resin	0.94	1.14
Adhesive Tape	0.03	0.03
PET Tape	0.03	0.03
Main sheet	0.40	0.44
PET Tape	0.03	0.03
Total	1.43	1.67

<Dimension for Product>

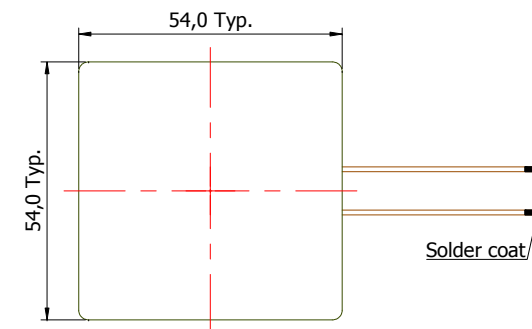
Top view



Side view



Bottom view



<Remark>

- Sheet material : FK2
- Sheet thickness : 0.40mm
- Wire Type : 0.1mm x 50
- Ts : 16

<Electrical Characteristics>

- Ls [uH] : 15.8 typ @100kHz
- Rs [ohm] : 0.10 typ @100kHz
- Q : 98.0 typ @100kHz
- Rdc [ohm]: 0.09 typ