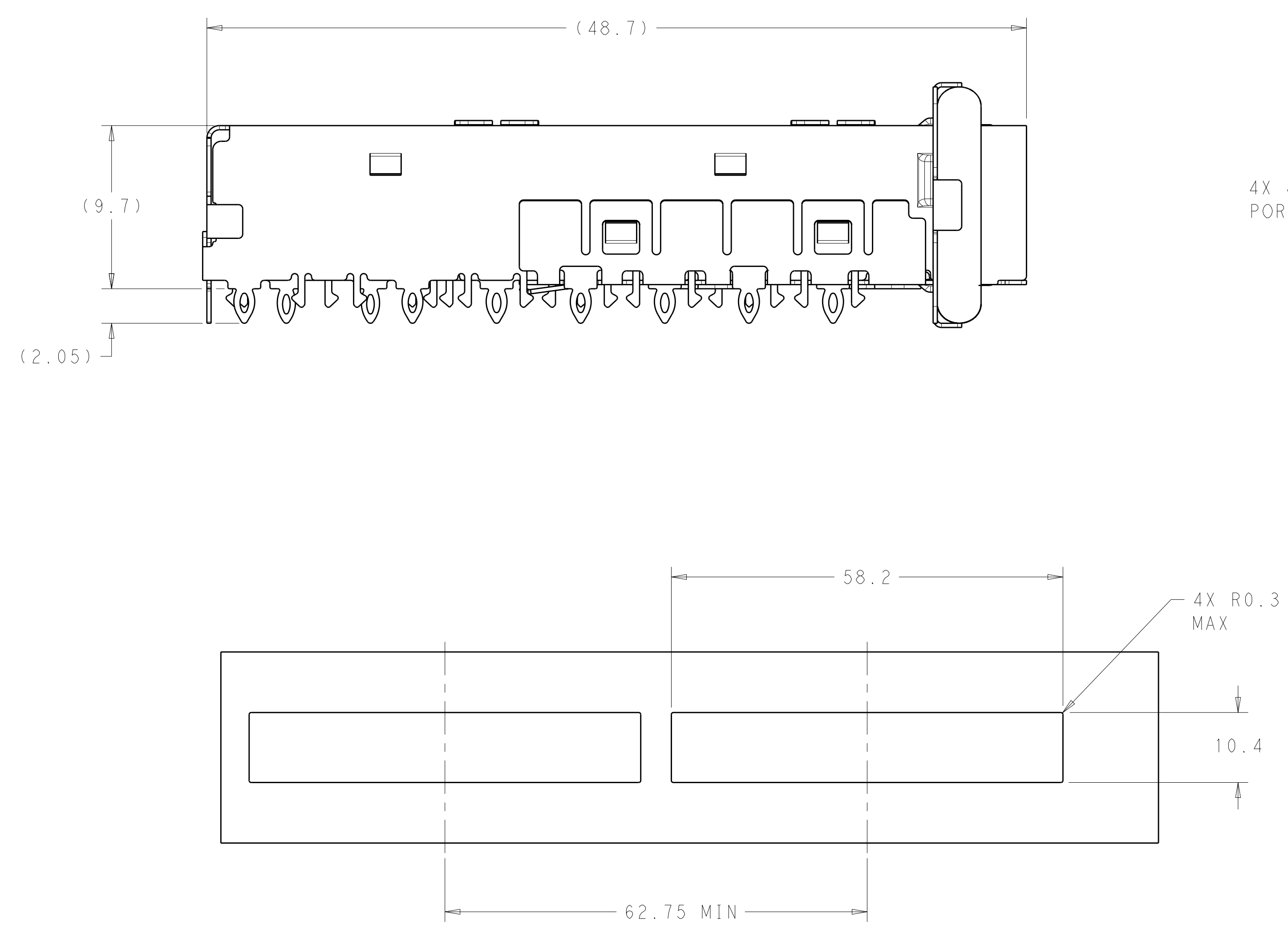
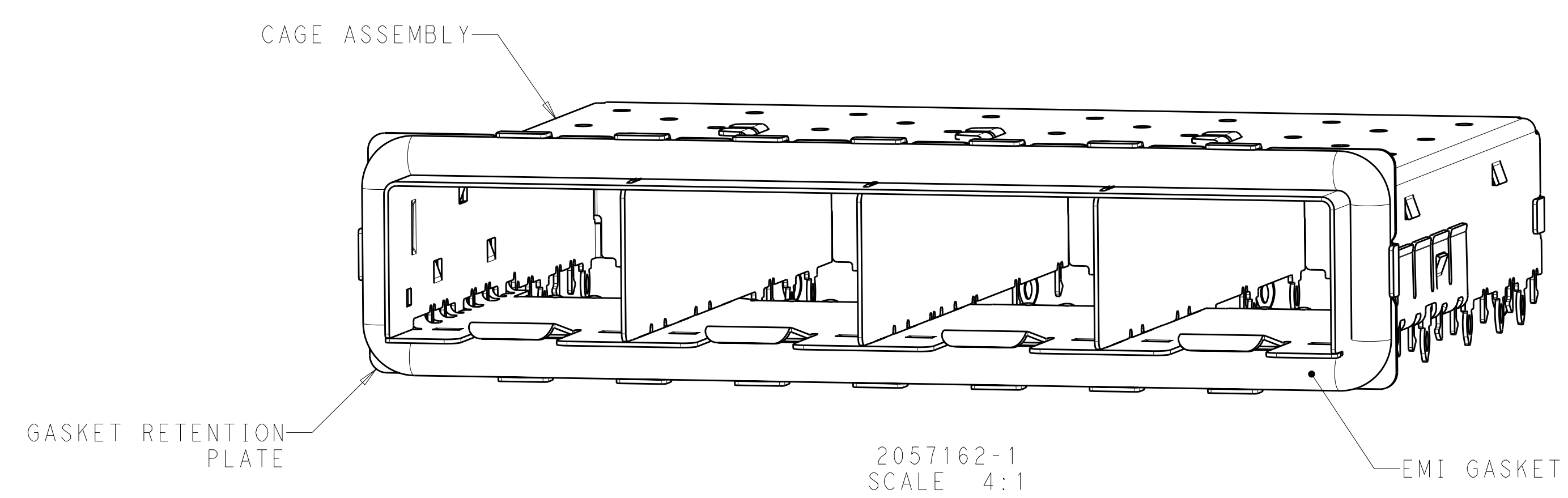
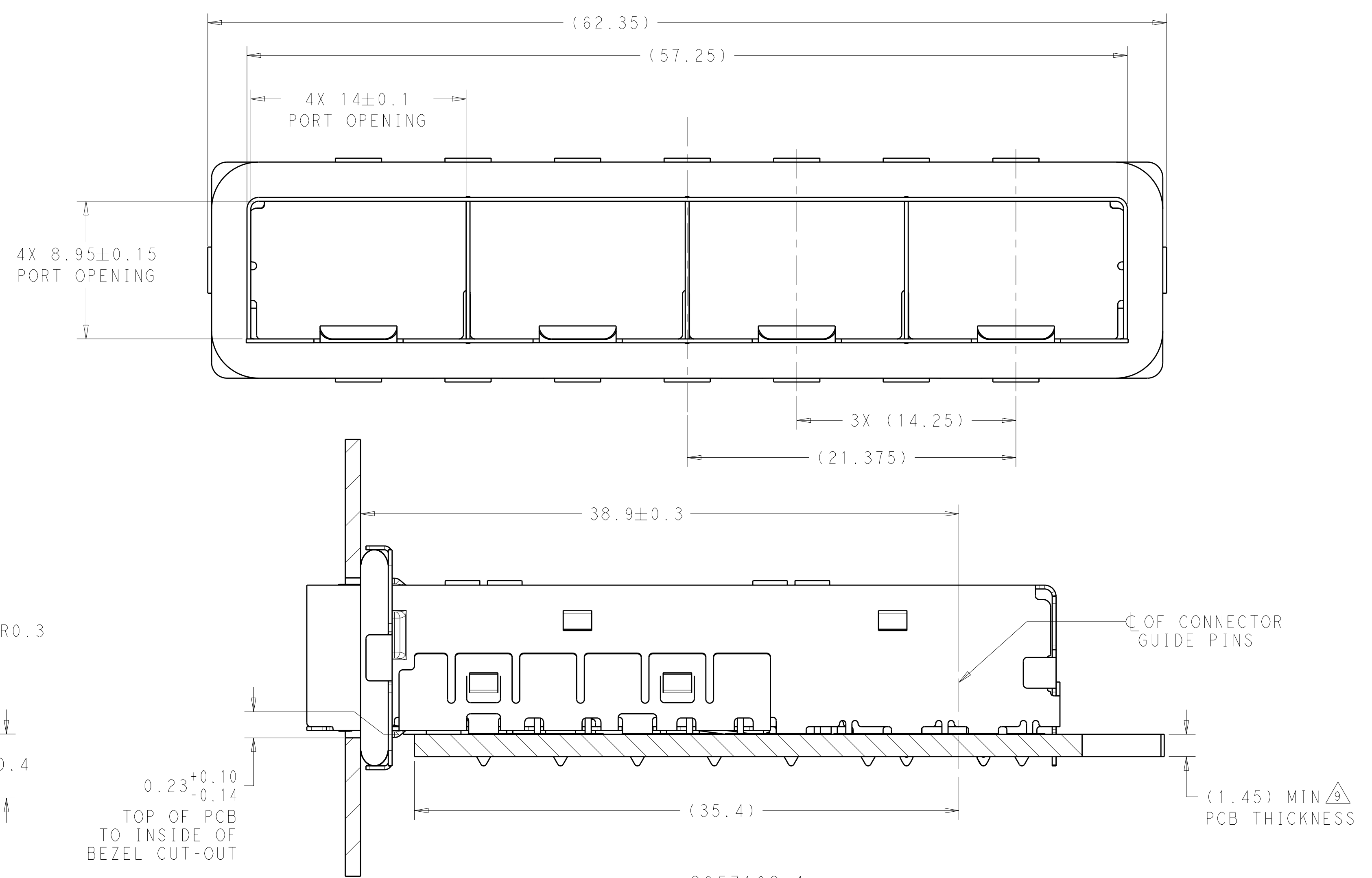


LOC	DIST	REV	DATE	DWN	APVD
GP	00	A	21FEB2011	CJV	JTL

- 1 MATERIAL:
 CAGE ASSEMBLY: NICKEL SILVER ALLOY, 0.25mm THK.
 GASKET RETENTION PLATE: STAINLESS STEEL
 EMI GASKET: PLATED FILLED SILICONE
- 2 PADS AND VIAS CHASSIS GROUND.
- 3 DATUM AND BASIC DIMENSION ESTABLISHED BY CUSTOMER.
- 4 MATES WITH SFP MSA COMPLIANT TRANSCEIVERS.
- 5 INTERPRETATION OF DATUM REFERENCE FRAME IN ACCORDANCE WITH SECT 4.4.1.1 OF ASME Y14.5M-1994.
- 6 REFERENCE APPLICATION SPEC. 114-13120, HOLE A, FOR RECOMMENDED DRILL HOLE DIAMETER AND PLATING THICKNESS.
- 7 REFERENCE APPLICATION SPEC. 114-13120, HOLE B, FOR RECOMMENDED DRILL HOLE DIAMETER AND PLATING THICKNESS.
- 8 HOLE PATTERN REPEATS FOR EACH PORT. SPACING BETWEEN PORTS IS 14.25mm.
- 9 MINIMUM PC BOARD THICKNESS:
 SINGLE SIDED = 1.45mm



RECOMMENDED BEZEL CUT-OUT
SCALE 2:1

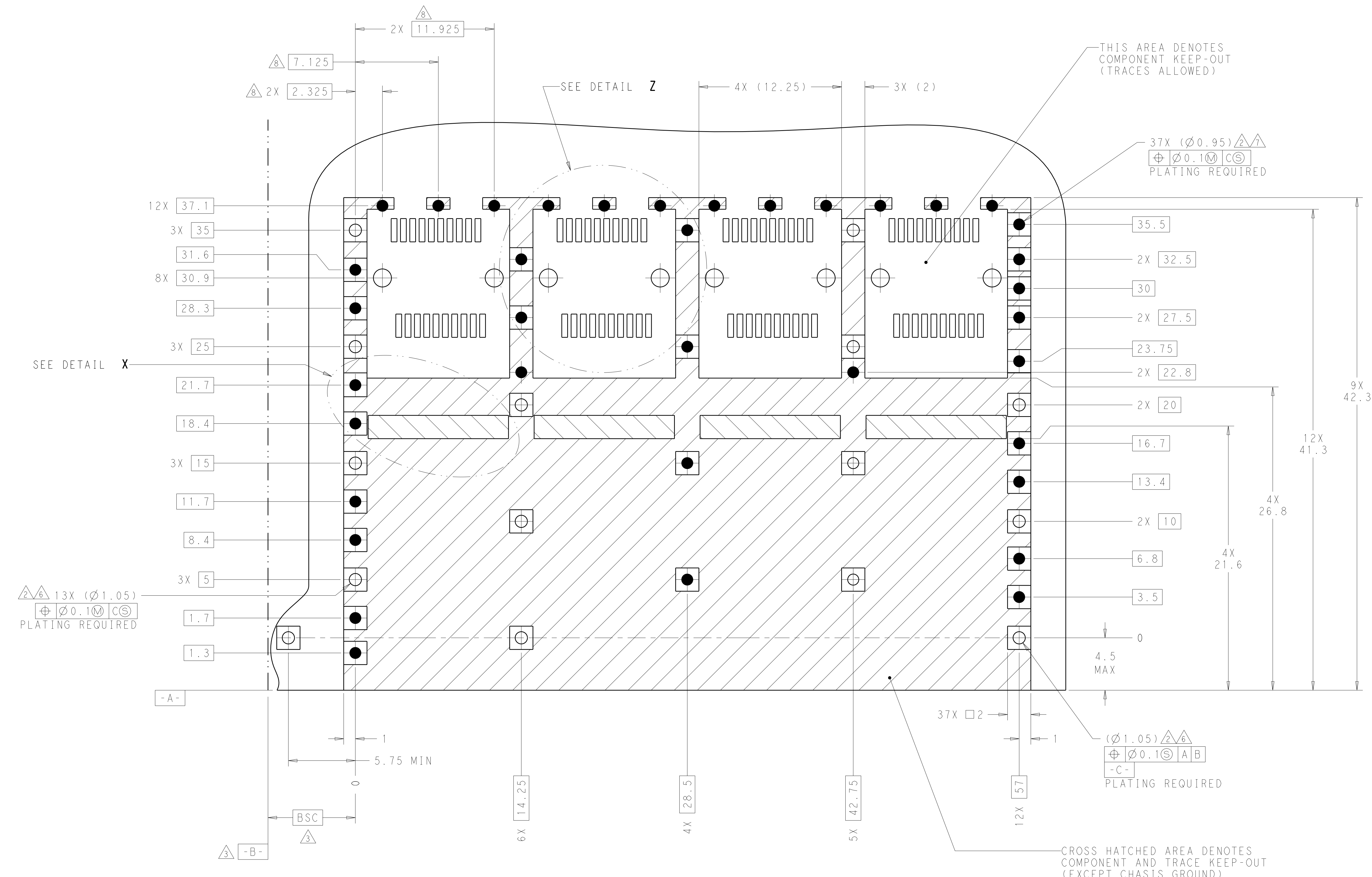


2057162-1
MOUNTED ON PC BOARD SHOWN
THRU RECOMMENDED BEZEL
SCALE 5:1

2057162-1
PART NUMBER

DIMENSIONS: mm 		TOLERANCES UNLESS OTHERWISE SPECIFIED: 0 PLC ±.1 1 PLC ±.1 2 PLC ±.1 3 PLC ±.1 4 PLC ±.1 ANGLES ±.1 FINISH -		DWN C. ROHLER 23MAR2009 CHK M. SCHMITT 23MAR2009 APVD B. WERTZ 23MAR2009		Tyco Electronics Harrisburg, PA 17105-3608	
MATERIAL 		WEIGHT -		PRODUCT SPEC 108-2364		NAME SFP+ ENHANCED, 1X4 CAGE ASSEMBLY PRESS FIT, EMI GASKET	
CUSTOMER DRAWING		SCALE 5:1		SIZE CAGE CODE DRAWING NO A 100779 C=2057162		RESTRICTED TO SHEET 1 OF 3 REV A	

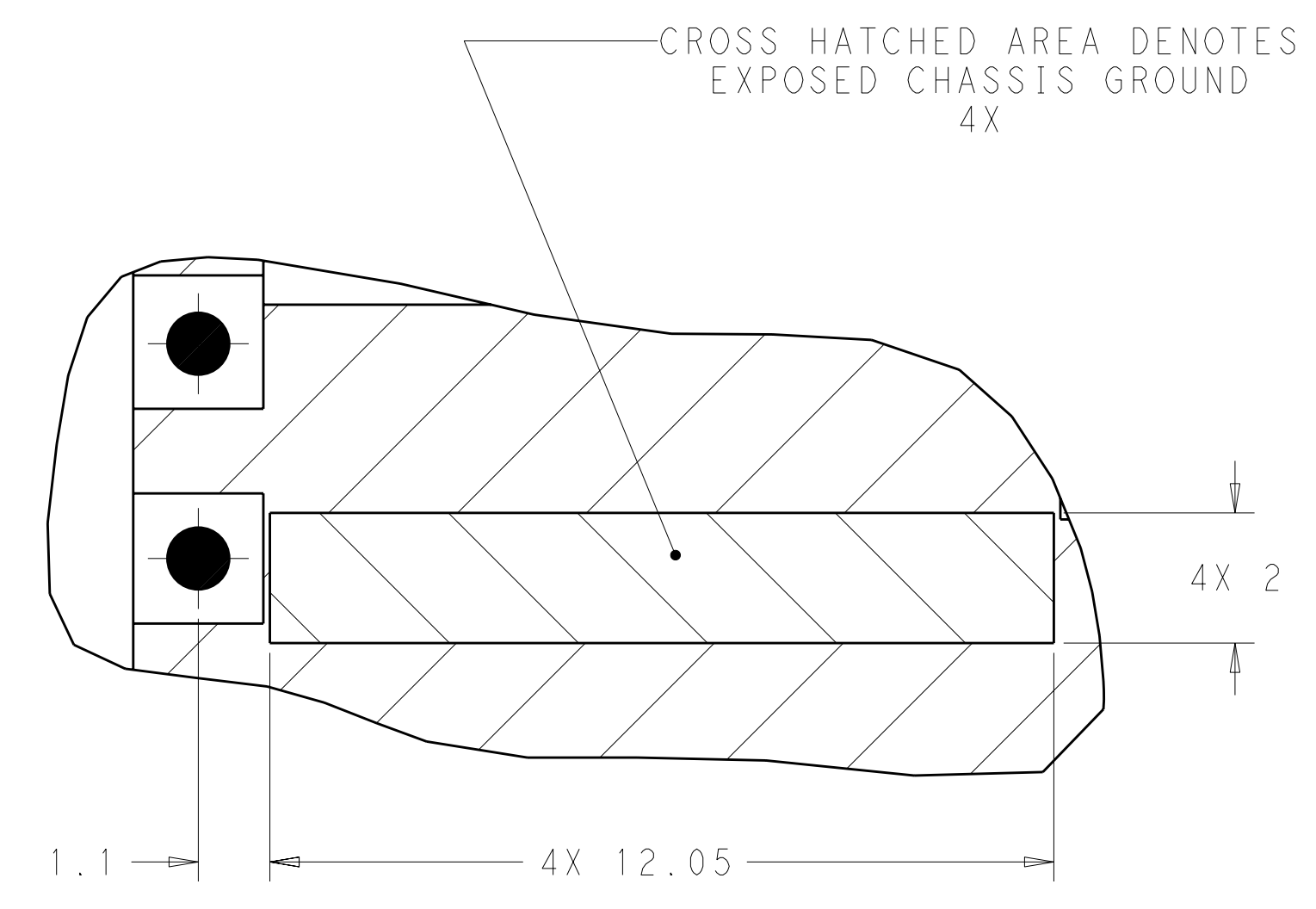
LOC	DIST	REV	DATE	DWN	APVD
-	-	1	SEE SHEET 1	-	-



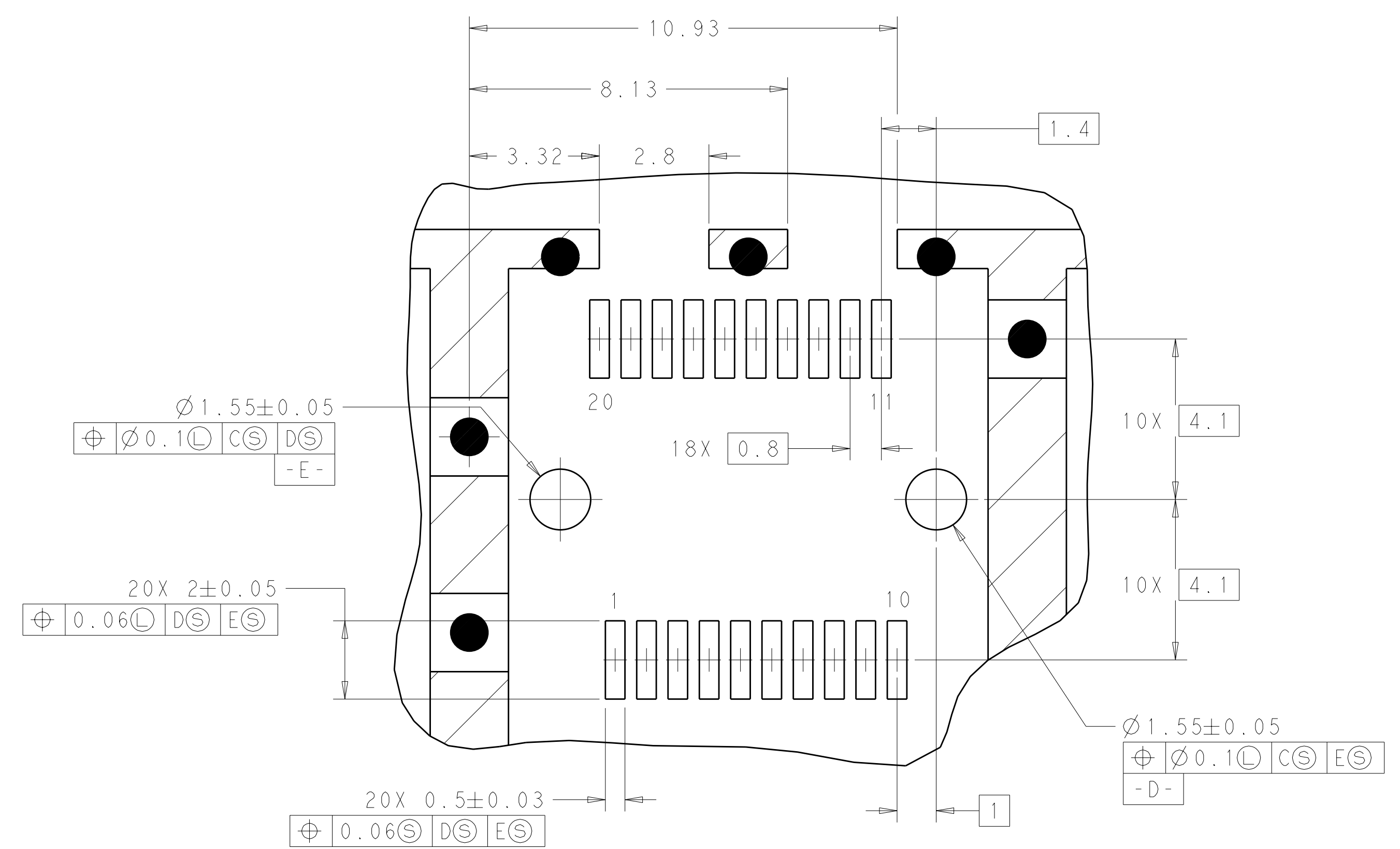
RECOMMENDED PCB CONFIGURATION
 WITH KEEP-OUT AREAS
 SCALE 6:1

DIMENSIONS:		TOLERANCES UNLESS OTHERWISE SPECIFIED:		DWN		Tyco Electronics	
mm	9 PLC	±.1	C. ROHLER	23MAR2009	Tyco Electronics Harrisburg, PA 17105-3608		
	8 PLC	±.1	M. SCHMITT	23MAR2009	SFP+ ENHANCED, 1X4 CAGE ASSEMBLY PRESS FIT, EMI GASKET		
	5 PLC	±.1	B. WERTZ	23MAR2009	SIZE CAGE CODE DRAWING NO RESTRICTED TO		
	4 PLC	±.1			A100779C=2057162		
	ANGLES	±.1			SCALE 5:1 SHEET 2 OF 3 REV A		
MATERIAL	FINISH				CUSTOMER DRAWING		

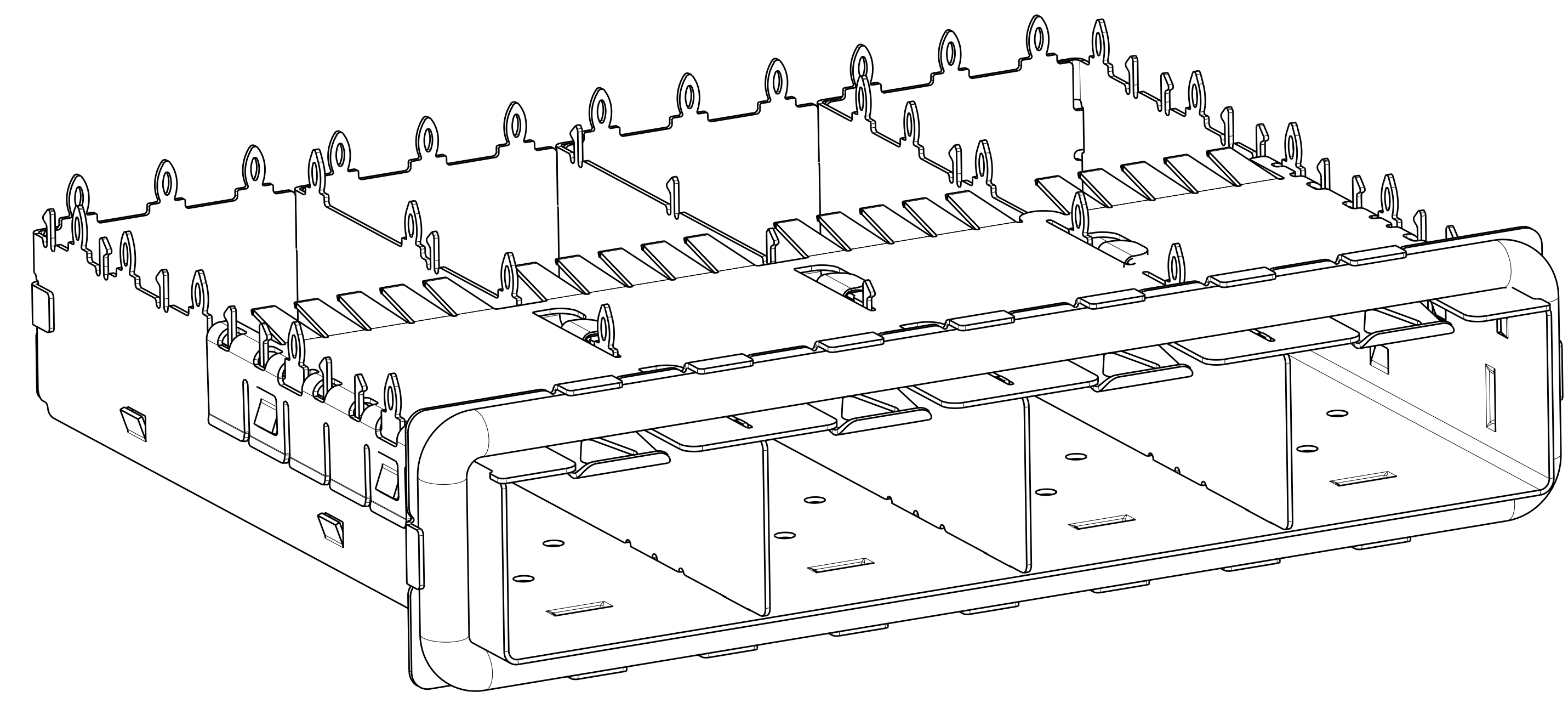
LOC	DIST	REV	DATE	BY	APPD
-	-	1	-	-	-
DESCRIPTION			DATE	DWN	APPD
SEE SHEET 1			-	-	-



DETAIL X
SCALE 10:1



DETAIL Z
RECOMMENDED PT CONNECTOR LAYOUT
4X INDIVIDUALLY PLACED
SCALE 10:1



BOTTOM ISOMETRIC VIEW
2057162-1

<small>THIS DRAWING IS UNPUBLISHED. RELEASED FOR PUBLICATION. ALL RIGHTS RESERVED. © 2009 BY TYCO ELECTRONICS CORPORATION. THIS DRAWING IS UNPUBLISHED. RELEASED FOR PUBLICATION. ALL RIGHTS RESERVED. © 2009 BY TYCO ELECTRONICS CORPORATION. THIS DRAWING IS UNPUBLISHED. RELEASED FOR PUBLICATION. ALL RIGHTS RESERVED. © 2009 BY TYCO ELECTRONICS CORPORATION.</small>		DWN C. ROHLER 23MAR2009 CHK M. SCHMITT 23MAR2009 APPD B. WERTZ 23MAR2009	Tyco Electronics Harrisburg, PA 17105-3608
DIMENSIONS: mm 	TOLERANCES UNLESS OTHERWISE SPECIFIED: 0 PLC ±.1 1 PLC ±.1 2 PLC ±.1 3 PLC ±.1 4 PLC ±.1 ANGLES ±.1 FINISH #1	PRODUCT SPEC 108-2364 APPLICATION SPEC 114-13120 WEIGHT - CUSTOMER DRAWING	NAME SFP+ ENHANCED, 1X4 CAGE ASSEMBLY PRESS FIT, EMI GASKET SIZE CAGE CODE DRAWING NO A100779C=2057162 RESTRICTED TO - SCALE 5:1 SHEET 3 OF 3 REV A