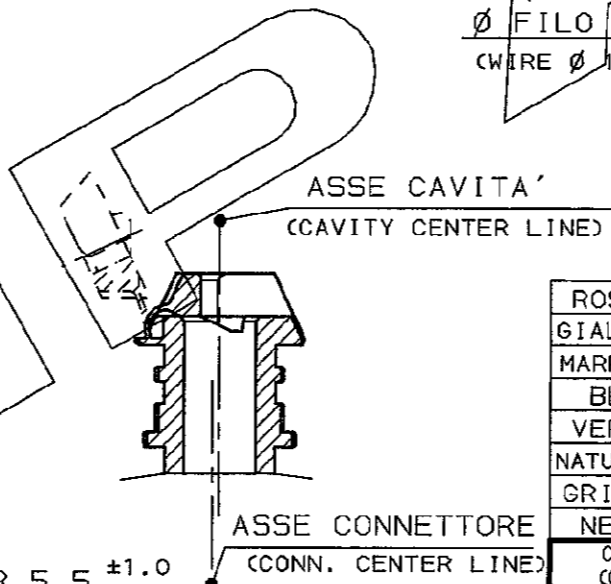
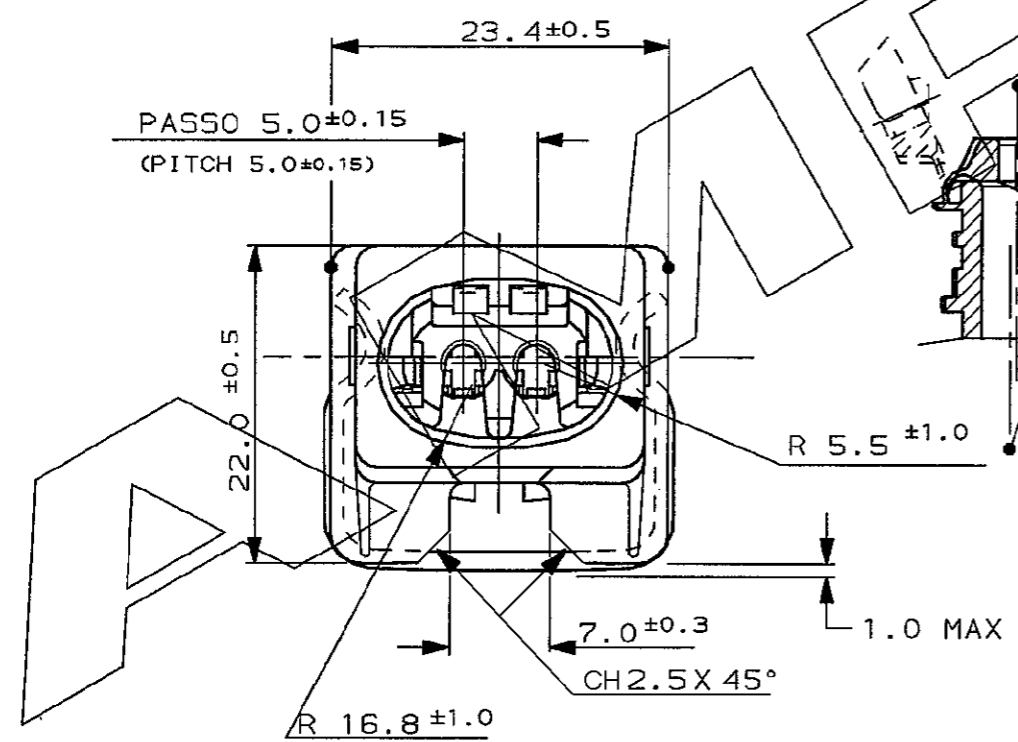
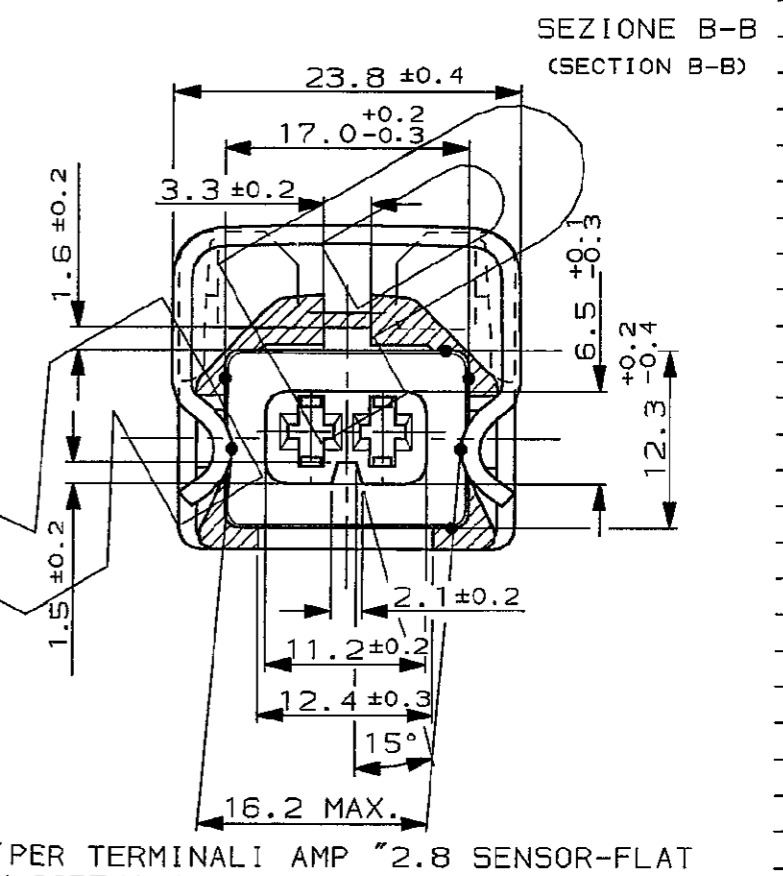
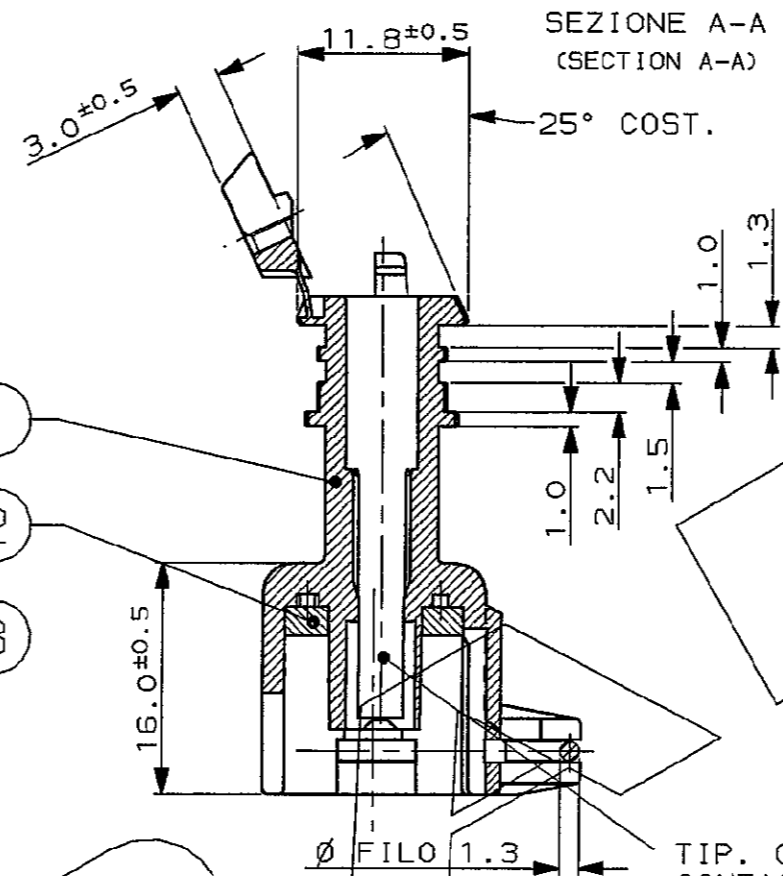
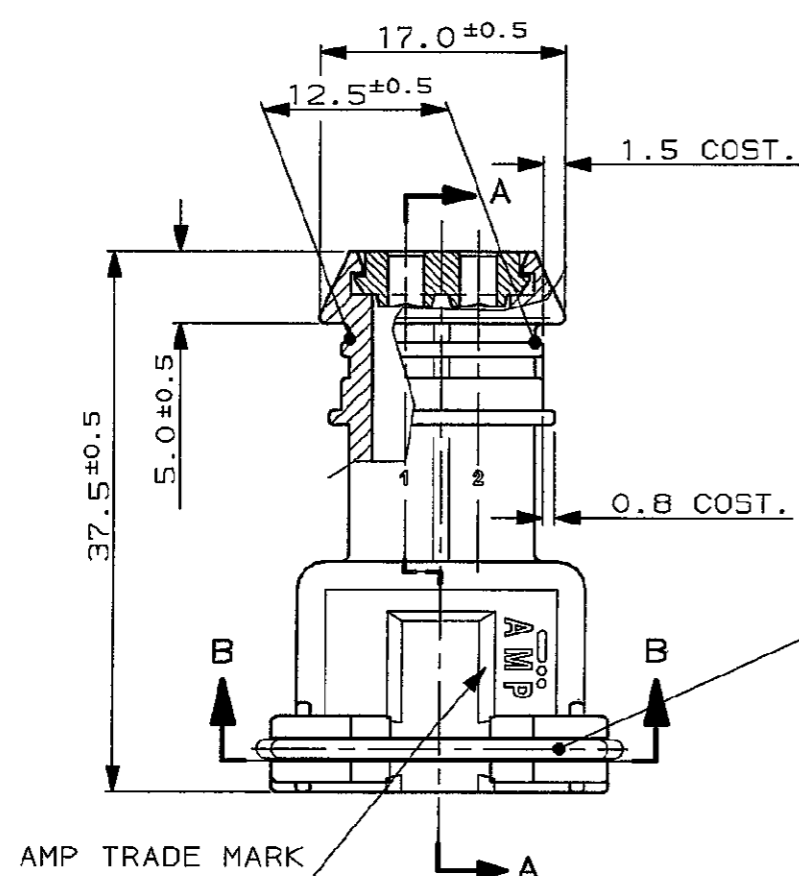


CONNETTORE TIPO A (CON MOLLA DI RITEGNO ESTERNA)

SCALA NON IMPEGNATIVA
(DO NOT SCALE)
DIMENSIONI IN mm
(DIMENSIONS IN)

METRIC

PROIEZIONE EUROPEA
(EUROPEAN PROJECTION)



TIP. CAVITA' PER TERMINALI AMP "2.8 SENSOR-FLAT CONTACT" P/N 967541-1, 967542-1, 967543-1 E RELATIVI GOMMINI AMP P/N 828904-1, 828905-1, 828536-1.
TAPPO CAVITA' P/N 828906-2
(TYP. CAV. FOR 2.8 SENSOR-FLAT CONTACT P/N 967541-1, 967542-1, 967543-1 AND REL. SINGLE WIRE SEAL P/N 828904-1, 828905-1, 828536-1 CAVITY PLUG P/N 828906-2)

ROSSO (RED)	282956-8			
GIALLO (YELLOW)	282956-7			
MARRONE (BROWN)	282956-6	3	//////	ACCIAIO INOX (STAINLESS STEEL)
BLU (BLUE)	282956-5			MOLLA (SPRING)
VERDE (GREEN)	282956-4	2	NATURALE (NATURAL)	GOMMA SILICONE (SILICONE RUBBER)
NATURALE (NATUR)	282956-3			GUARNIZIONE (SEALING)
GRIGIO (GREY)	282956-2	1	//////	PA 6.6 C.VETRO (PA 6.6 G.F.)
NERO (BLACK)	282956-1			BLOCCHETTO (HOUSING)
COLORE (COLOR)	NUMERO (PART N°)	N° (ITEM)	FINITURA / COLORE (FINISH / COLOUR)	MATERIALE (MATERIAL)
				DESCRIZIONE (DESCRIPTION)

CUSTOMER DWG. FOR REFERENCE ONLY DISEGNO PER CLIENTE SOLO PER RIFERIMENTO

THIS DRAWING IS UNPUBLISHED RELEASE FOR PUBLICATION 19
© COPYRIGHT 1996 BY AMP INCORPORATED, HARRISBURG, PA. ALL INTERNATIONAL RIGHTS RESERVED. AMP PRODUCTS MAY BE COVERED BY U.S. AND FOREIGN PATENT AND/OR PATENT PENDING
TOLLERANZE, SE NON DIVERSAMENTE SPECIFICATO (TOLERANCES, UNLESS OTHERWISE SPECIFIED) DIAM. ISOLANTE (INS. DIA. RANGE) RANGO FILO (WIRE RANGE) SCALA (SCALE)
± 0.3 1.4-3.0 (RED. INS. CABLE) 0.35-2.5 mm² ---
ANGOLI (ANGLES) ± 2°
Tyco Electronics Tyco Electronics AMP Italia S.r.l. Corso F.lli Carri 15, Colligao (TO)

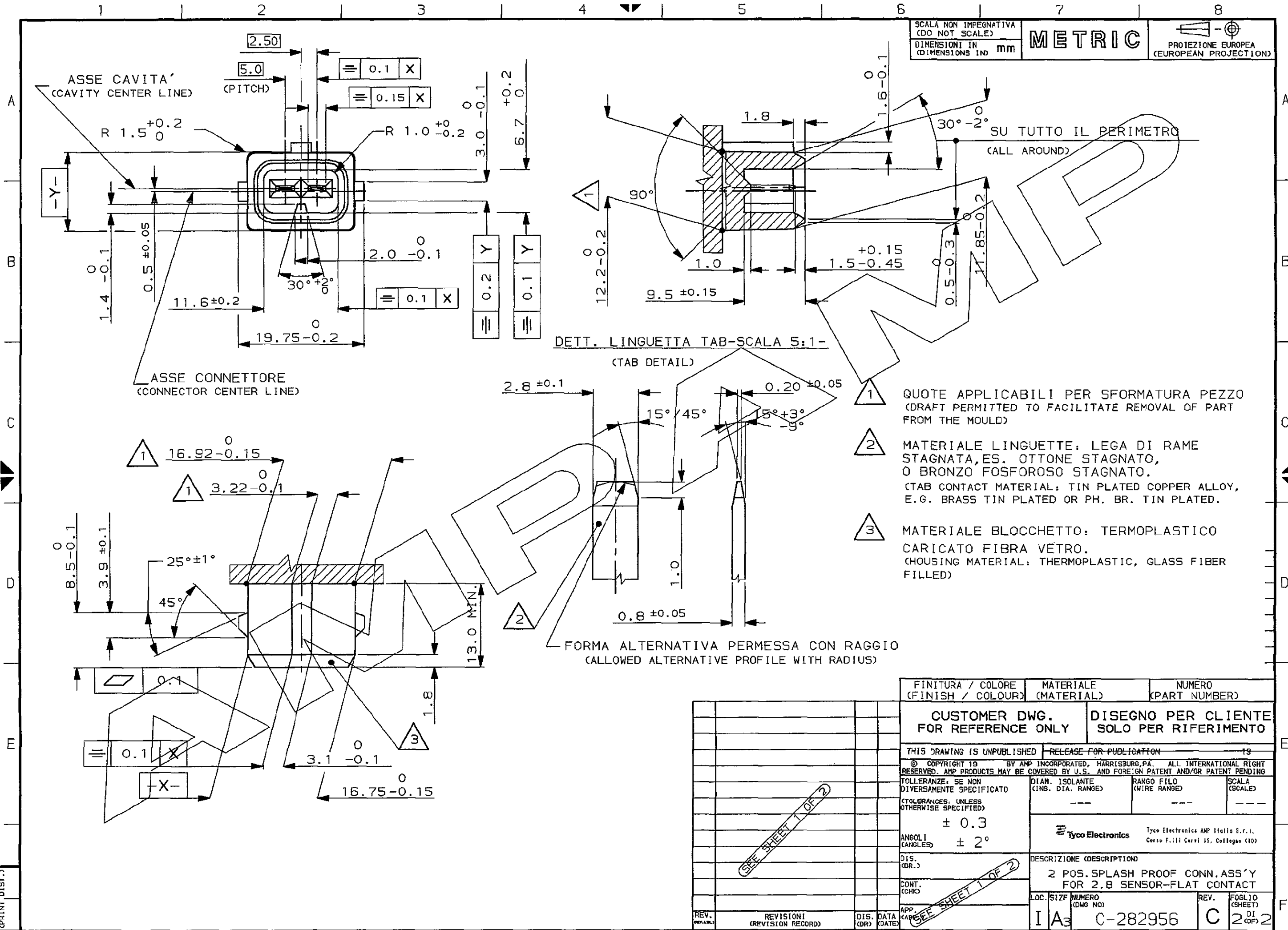
REV. (REV. NO.)	REVISIONI (REVISION RECORD)	DIS. DATA (DATE)	APP. (APP.)	DESCRIZIONE (DESCRIPTION)	LOC. (LOC.)	SIZE (SIZE)	NUMERO (CNS NO.)	REV. (REV.)	FOGLIO (SHEET)
				2 POS. SPLASH PROOF CONN. ASS'Y FOR 2.8 SENSOR-FLAT CONTACT	I	A3	C-282956	C	1 DI 2

DISTRIBUZIONE (PRINT/DIST.)

SCALA NON IMPEGNATIVA
(DO NOT SCALE)
DIMENSIONI IN mm
(DIMENSIONS IN mm)

METRIC

PROIEZIONE EUROPEA
(EUROPEAN PROJECTION)



DETT. LINGUETTA TAB-SCALA 5:1-
(TAB DETAIL)

FORMA ALTERNATIVA PERMESSA CON RAGGIO
(ALLOWED ALTERNATIVE PROFILE WITH RADIUS)

- 1 QUOTE APPLICABILI PER SFORMATURA PEZZO
(DRAFT PERMITTED TO FACILITATE REMOVAL OF PART FROM THE MOULD)
- 2 MATERIALE LINGUETTE: LEGA DI RAME STAGNATA, ES. OTTONE STAGNATO, O BRONZO FOSFOROSO STAGNATO.
CTAB CONTACT MATERIAL: TIN PLATED COPPER ALLOY, E.G. BRASS TIN PLATED OR PH. BR. TIN PLATED.
- 3 MATERIALE BLOCCHETTO: TERMOPLASTICO CARICATO FIBRA VETRO.
(HOUSING MATERIAL: THERMOPLASTIC, GLASS FIBER FILLED)

FINITURA / COLORE (FINISH / COLOUR)	MATERIALE (MATERIAL)	NUMERO (PART NUMBER)
CUSTOMER DWG. FOR REFERENCE ONLY	DISEGNO PER CLIENTE SOLO PER RIFERIMENTO	
THIS DRAWING IS UNPUBLISHED		RELEASE FOR PUBLICATION
© COPYRIGHT 1980 BY AMP INCORPORATED, HARRISBURG, PA. ALL INTERNATIONAL RIGHT RESERVED. AMP PRODUCTS MAY BE COVERED BY U.S. AND FOREIGN PATENT AND/OR PATENT PENDING		
TOLLERANZE. SE NON DIVERSAMENTE SPECIFICATO (TOLERANCES. UNLESS OTHERWISE SPECIFIED)	DIAM. ISOLANTE (INS. DIA. RANGE)	RANGO FILO (WIRE RANGE)
± 0.3	---	---
ANGOLI (ANGLES)	Tyco Electronics Tyco Electronics AMP Itello S.r.l. Corso F.lli Cervi 15, Collaigo (TO)	
DIS. (DR.)	DESCRIZIONE (DESCRIPTION)	
CONT. (CHK)	2 POS. SPLASH PROOF CONN. ASS'Y FOR 2.8 SENSOR-FLAT CONTACT	
APP. (APP.)	LOC. SIZE NUMERO (DWG NO)	REV. FOGLIO (SHEET)
REV. (REV.)	I A3 C-282956	C 2 OF 2

DISTRIBUZIONE (PRINT DIST.)

REV. (REV.)	REVISIONI (REVISION RECORD)	DIS. DATA (DR. DATE)

SEE SHEET 1 OF 2

SEE SHEET 1 OF 2