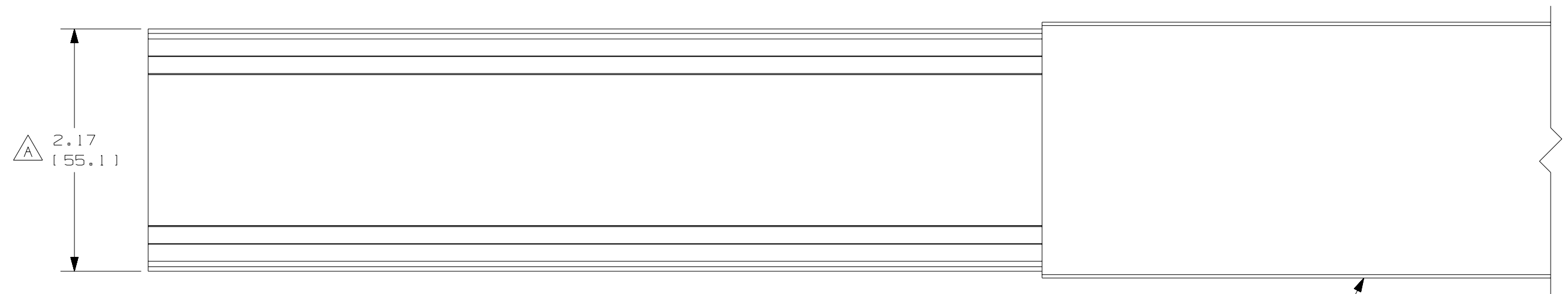
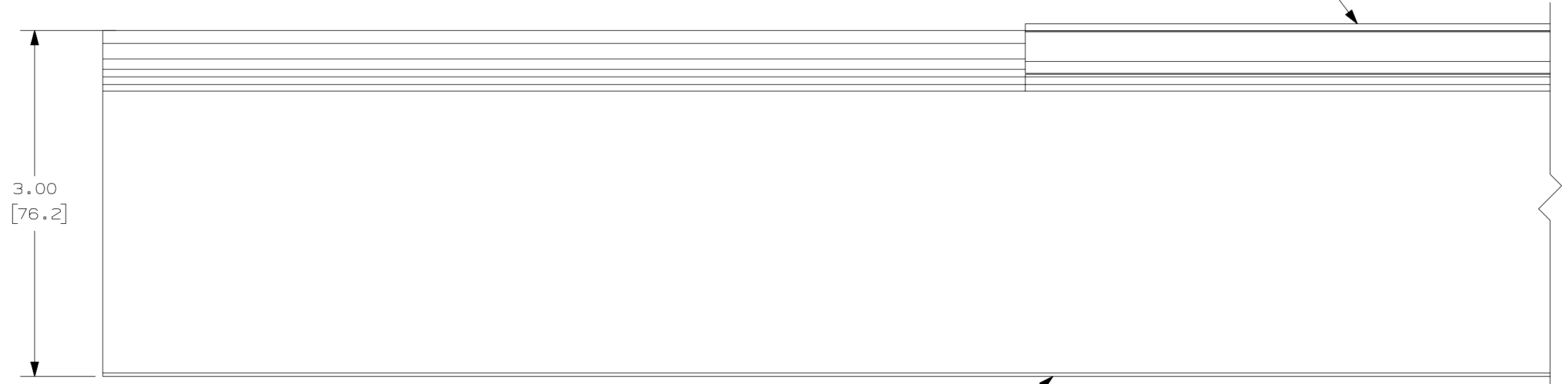


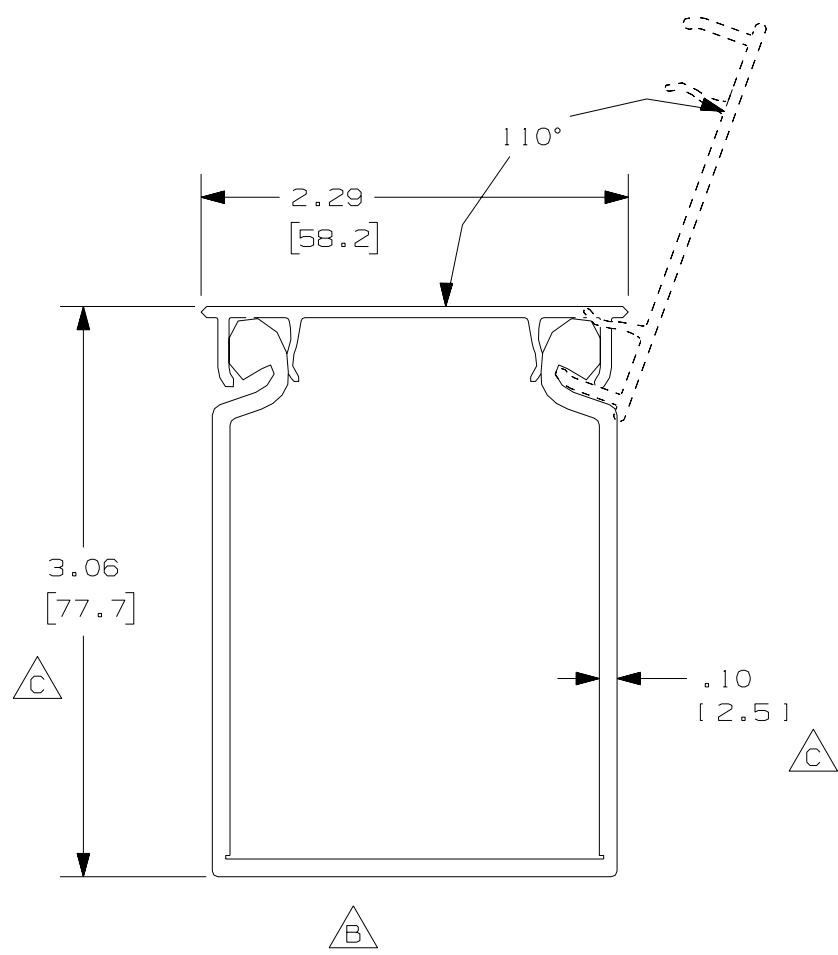
THIS COPY IS PROVIDED ON A RESTRICTED BASIS AND IS NOT TO BE USED IN ANY WAY DETRIMENTAL TO THE INTERESTS OF PANDUIT CORP.



COVER - - PART NUMBER
HC2**6



DUCT - - PART NUMBER
HS2X3**6NM



NOTES:

1. ALL DIMENSIONS ARE REFERENCE ONLY.
2. DIMENSIONS IN PARENTHESIS ARE METRIC.
3. THE ** DENOTE COLOR.
4. DUCT AND COVER ARE AVAILABLE IN 6 FT [1828.8] LENGTHS.

REV	DATE	BY	CHK	DESCRIPTION
--	-----	--	--	D. ADDED LENGTH NOTE C. CORRECTED DIMENSION
I	8/3/07	JCSTMKBE		B. DELETED DIMENSION A. ADDED DIMENSION
R	8/12/05	JCSTMKBE		DRAWING RELEASED

CAD FILENAME/LAYERS		D11000PB_DC_00B	
PANDUIT			
CORP. TINLEY PARK, ILLINOIS			
WIRING DUCT - TYPE HS SOLID DUCT 2 X 3 (WITH COVER) MARKETING DRAWING			
DRWN BY JCST	MAT'L: PVC	SCALE FULL	DWG NO.
DATE 8/12/05	CHECKED BY MKBE	DRAWING NO. 36897-1071	SIZE C