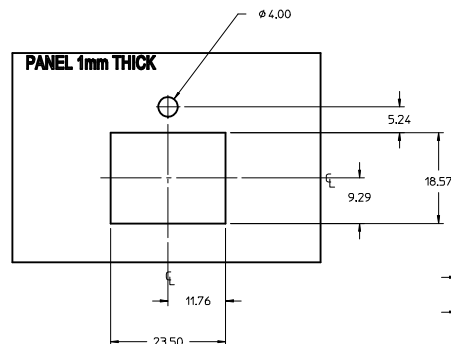
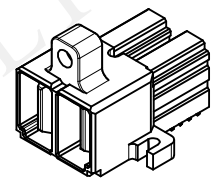
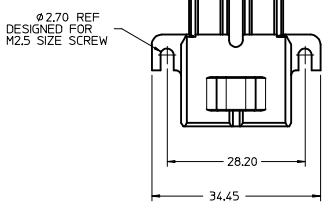


PART NUMBER	DIM "A" PC TAIL	DESCRIPTION
46817-1004	3.28±0.30	COMPLIANT PIN TERMINATION

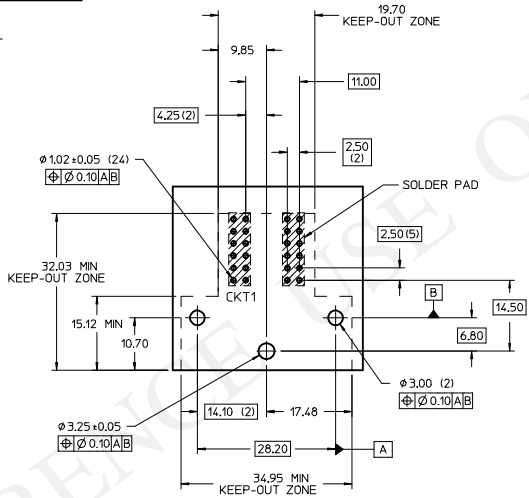


PANEL LAYOUT

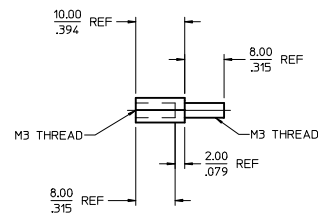
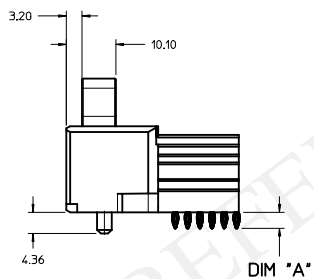
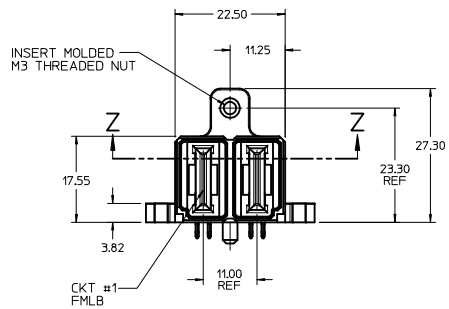
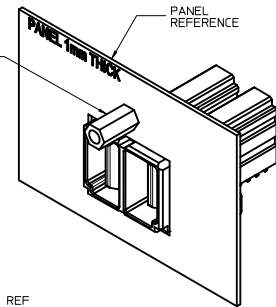
- NOTES:
- MATERIAL: HOUSING: 30% GF POLYESTER UL-94, V-0, TERMINALS: COPPER ALLOY
 - PLATING: TERMINALS: 30μ IN GOLD IN THE CONTACT AREA
100μ IN TIN IN THE PC TAIL AREA OVER
50μ IN NICKEL OVERALL
 - PRODUCT SPECIFICATION: PS-46819-001
 - PARTS ARE TRAY PACKED PER PACKAGING SPECIFICATION: PK-46817-002.
 - MATING HARNESS SERIES 68790
 - PC BOARD HOLES ARE FOR SOLDER TAIL TYPE TERMINALS
 - PC BOARD HOLES TO BE PLATED THRU HOLES



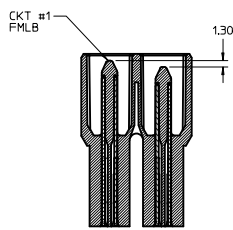
PART SUPPLIED AS SHOWN



RECOMMENDED PCB LAYOUT (CONNECTOR SIDE)



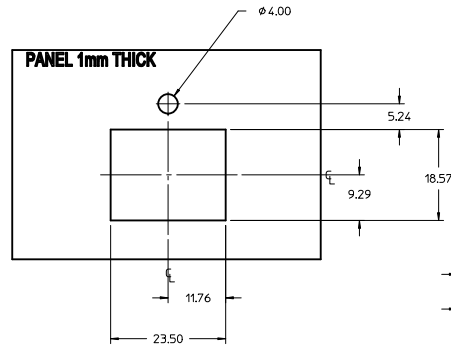
RECOMMENDED M3 STAND-OFF FOR REFERENCE ONLY MAY BE PURCHASED FROM HARDWARE VENDOR



SECTION Z-Z

PROPOSAL IEC NO: UCF2016-3954 DRAWN: CGH CHKD: APPR: CGH REV:	QUALITY SYMBOLS ∇=0 ∇=0 ∇=0	GENERAL TOLERANCES (UNLESS SPECIFIED) <table border="1"> <thead> <tr> <th></th> <th>mm</th> <th>INCH</th> </tr> </thead> <tbody> <tr> <td>4 PLACES</td> <td>± .10</td> <td>± .004</td> </tr> <tr> <td>3 PLACES</td> <td>± .13</td> <td>± .005</td> </tr> <tr> <td>2 PLACES</td> <td>± 0.25</td> <td>± .010</td> </tr> <tr> <td>1 PLACE</td> <td>± 0.50</td> <td>± .020</td> </tr> </tbody> </table>		mm	INCH	4 PLACES	± .10	± .004	3 PLACES	± .13	± .005	2 PLACES	± 0.25	± .010	1 PLACE	± 0.50	± .020	DIMENSION STYLE MM ONLY	SCALE 2:1	DESIGN UNITS METRIC	THIRD ANGLE PROJECTION
		mm	INCH																		
	4 PLACES	± .10	± .004																		
	3 PLACES	± .13	± .005																		
2 PLACES	± 0.25	± .010																			
1 PLACE	± 0.50	± .020																			
DRAWN BY: CGH DATE: 2016/04/09 CHECKED BY:	APPROVED BY: CGH DATE: 2016/06/01	MATERIAL NO: SEE CHART	DOCUMENT NO: RSD-46817-1004	MOLEX INCORPORATED	SHEET NO. 1 OF 1																
DRAFT WHERE APPLICABLE MUST REMAIN WITHIN DIMENSIONS	THIS DRAWING CONTAINS INFORMATION THAT IS PROPRIETARY TO MOLEX INCORPORATED AND SHOULD NOT BE USED WITHOUT WRITTEN PERMISSION																				

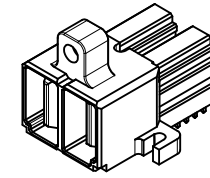
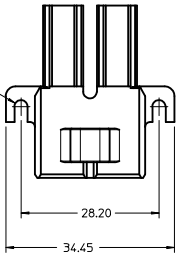
PART NUMBER	DIM "A" PC TAIL	PC BOARD THICKNESS	DESCRIPTION
46817-1002	3.86±0.30	2.36	SHORT TAILS
46817-1003	4.69±0.30	3.18/3.60	LONG TAILS



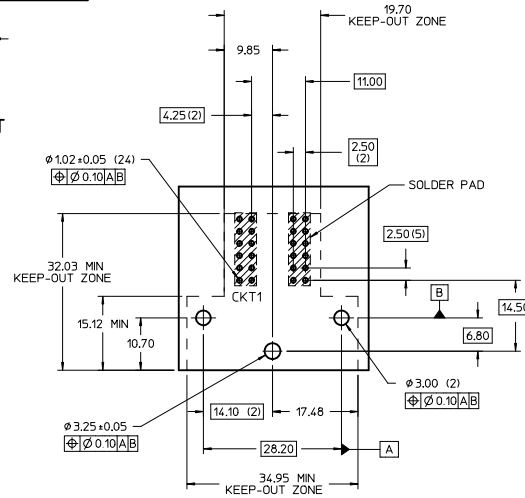
PANEL LAYOUT

- NOTES:
- MATERIAL: HOUSING: 30% GF POLYESTER UL-94, V-0, TERMINALS: COPPER ALLOY
 - PLATING: TERMINALS: 30μ IN GOLD IN THE CONTACT AREA
100μ IN TIN IN THE PC TAIL AREA OVER
50μ IN NICKEL OVERALL
 - PRODUCT SPECIFICATION: PS-46819-001
 - PARTS ARE TRAY PACKED PER PACKAGING SPECIFICATION: PK-46817-002.
 - MATING HARNESS SERIES 68790
 - PC BOARD HOLES ARE FOR SOLDER TAIL TYPE TERMINALS
 - PC BOARD HOLES TO BE PLATED THRU HOLES

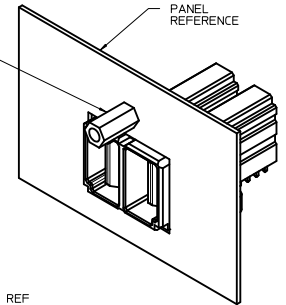
φ2.70 REF
DESIGNED FOR
M2.5 SIZE SCREW



PART SUPPLIED AS SHOWN

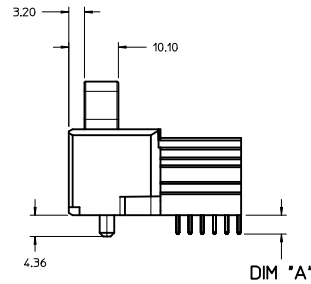
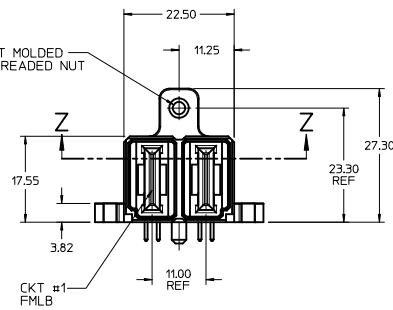


RECOMMENDED PCB LAYOUT (CONNECTOR SIDE)

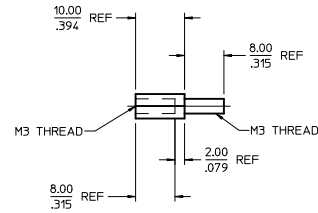


STAND-OFF
FOR REFERENCE ONLY

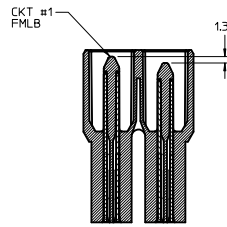
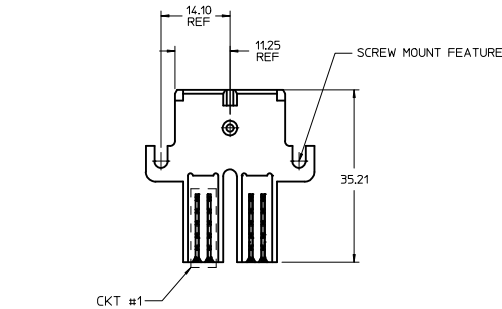
INSERT MOLDED
M3 THREADED NUT



DIM "A"



RECOMMENDED M3 STAND-OFF
FOR REFERENCE ONLY
MAY BE PURCHASED FROM HARDWARE VENDOR



SECTION Z-Z

REM P/NS/REV NOTES IEC NO. UCF2012-3786 DRAWN/OUTLES 2012/05/21 CHKD/MKARADI/MAS 2012/05/21 APPR/APATEL 2012/06/01	QUALITY SYMBOLS ∇=0 ∇=0 ∇=0	GENERAL TOLERANCES (UNLESS SPECIFIED)		DIMENSION STYLE MM ONLY		SCALE 2:1	DESIGN UNITS METRIC	THIRD ANGLE PROJECTION
		mm	INCH	DRAWN BY DATE MKARADI/MAS 2010/07/13		TITLE GUARDIAN PLUG ASSEMBLY 2 CKT		
		4 PLACES ±---	±---	CHECKED BY DATE MKARADI/MAS 2011/01/10		MATERIAL NO. SEE CHART		
2 PLACES ±0.13 1 PLACE ±0.25		APPROVED BY DATE APATEL 2011/01/13		MOLEX INCORPORATED		DOCUMENT NO. SD-46817-1002		
ANGULAR ±1/2°		DRAFT WHERE APPLICABLE MUST REMAIN WITHIN DIMENSIONS		SIZE D		SHEET NO. 1 OF 1		