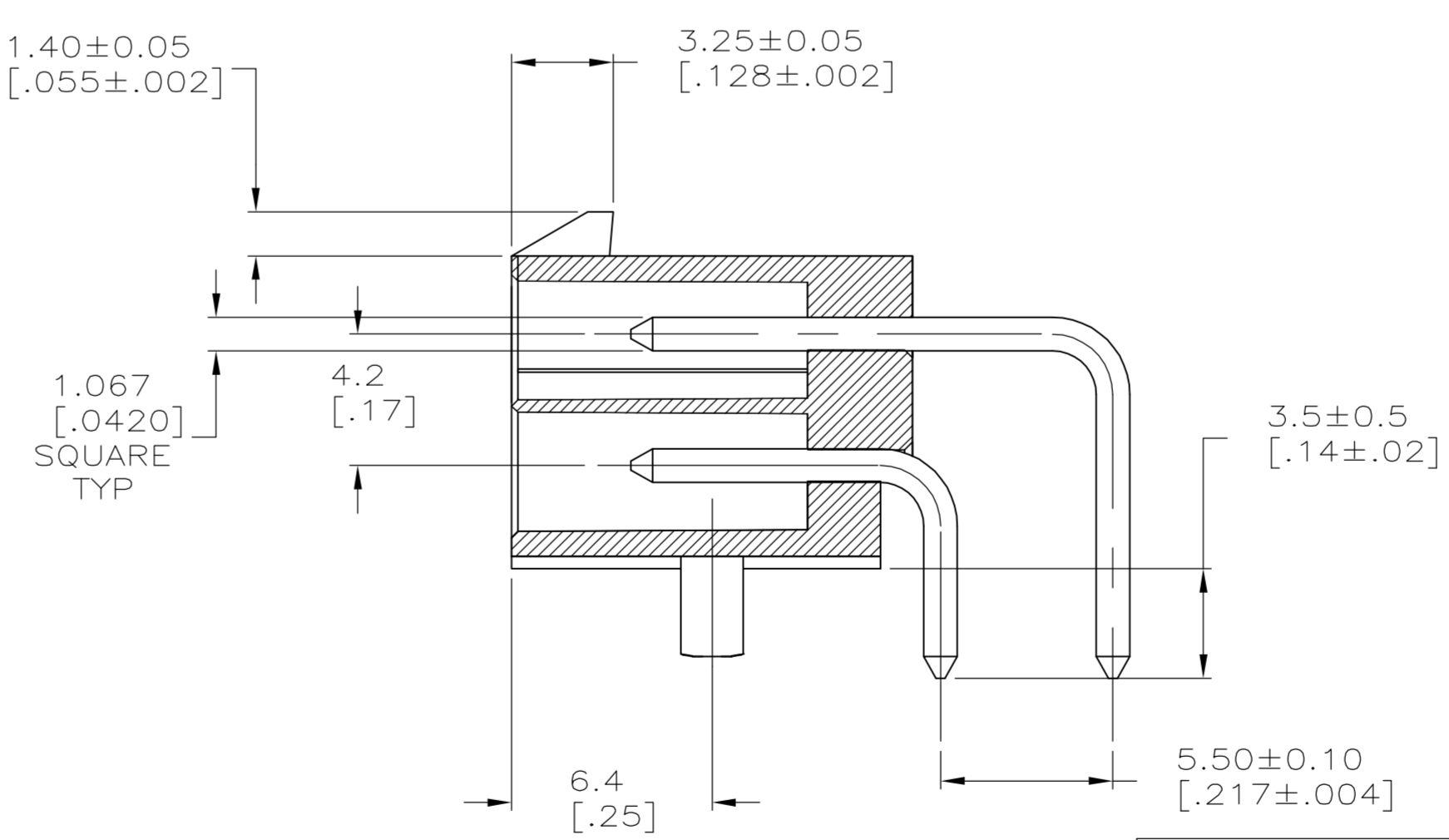
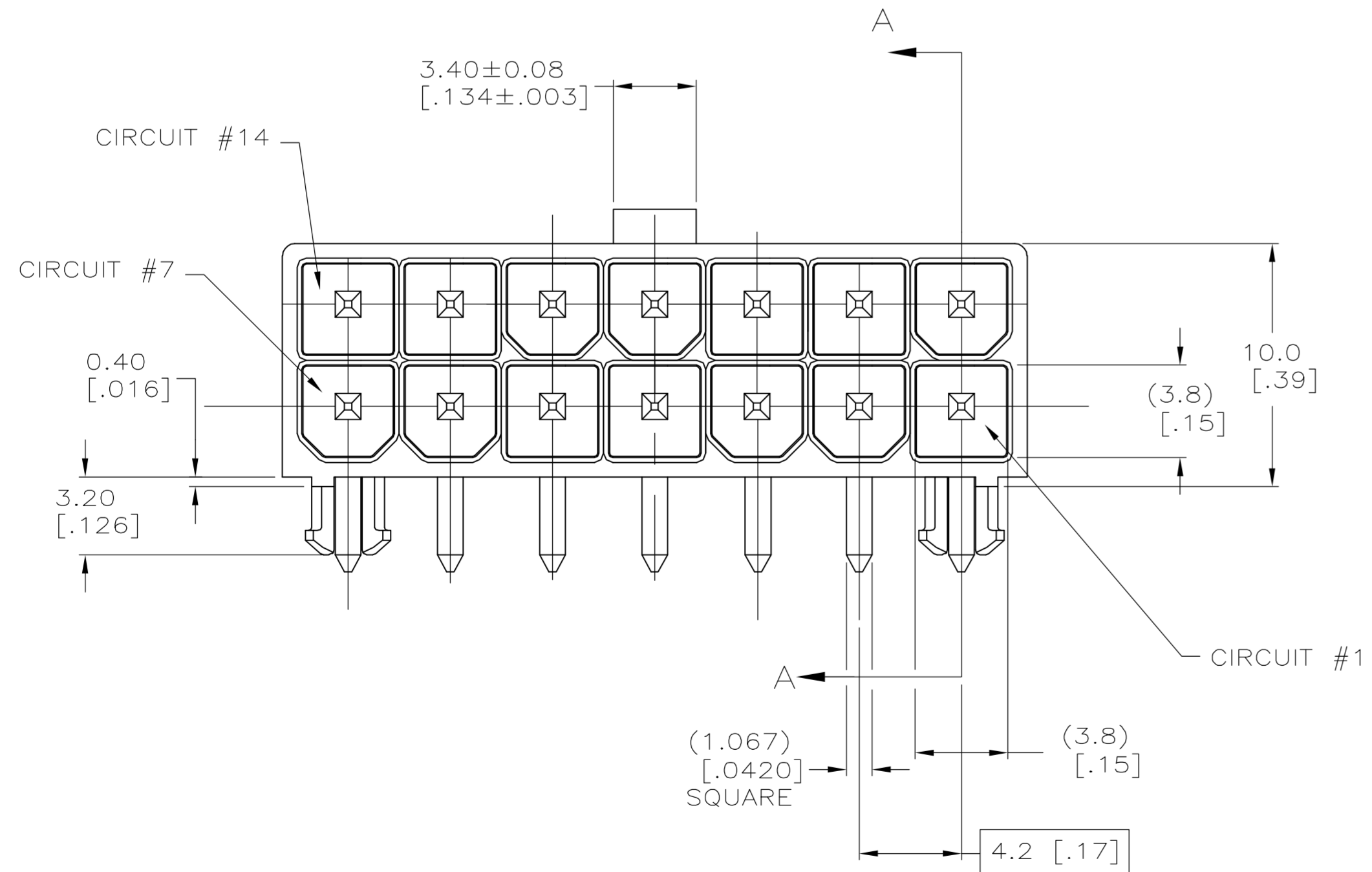
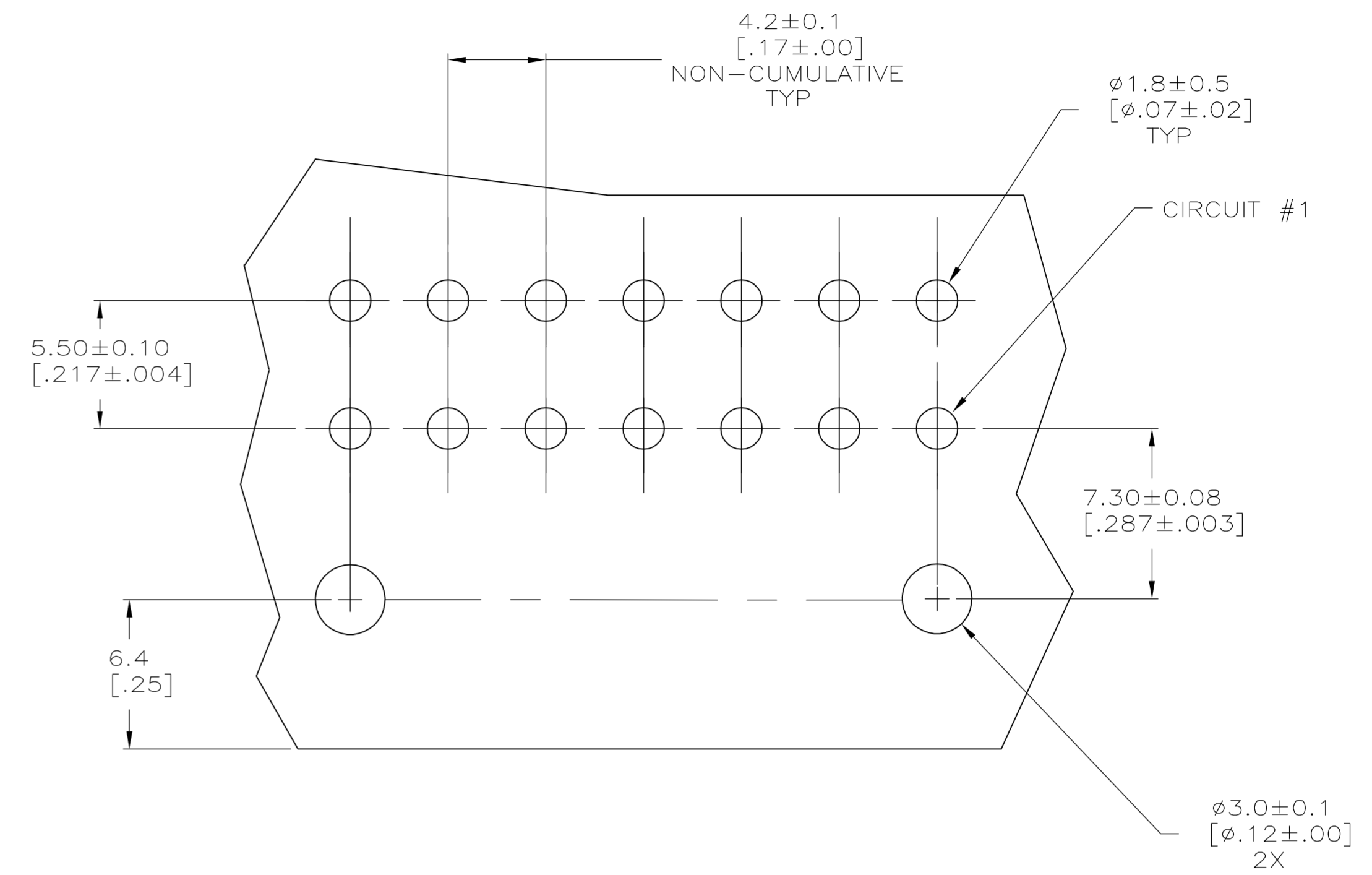
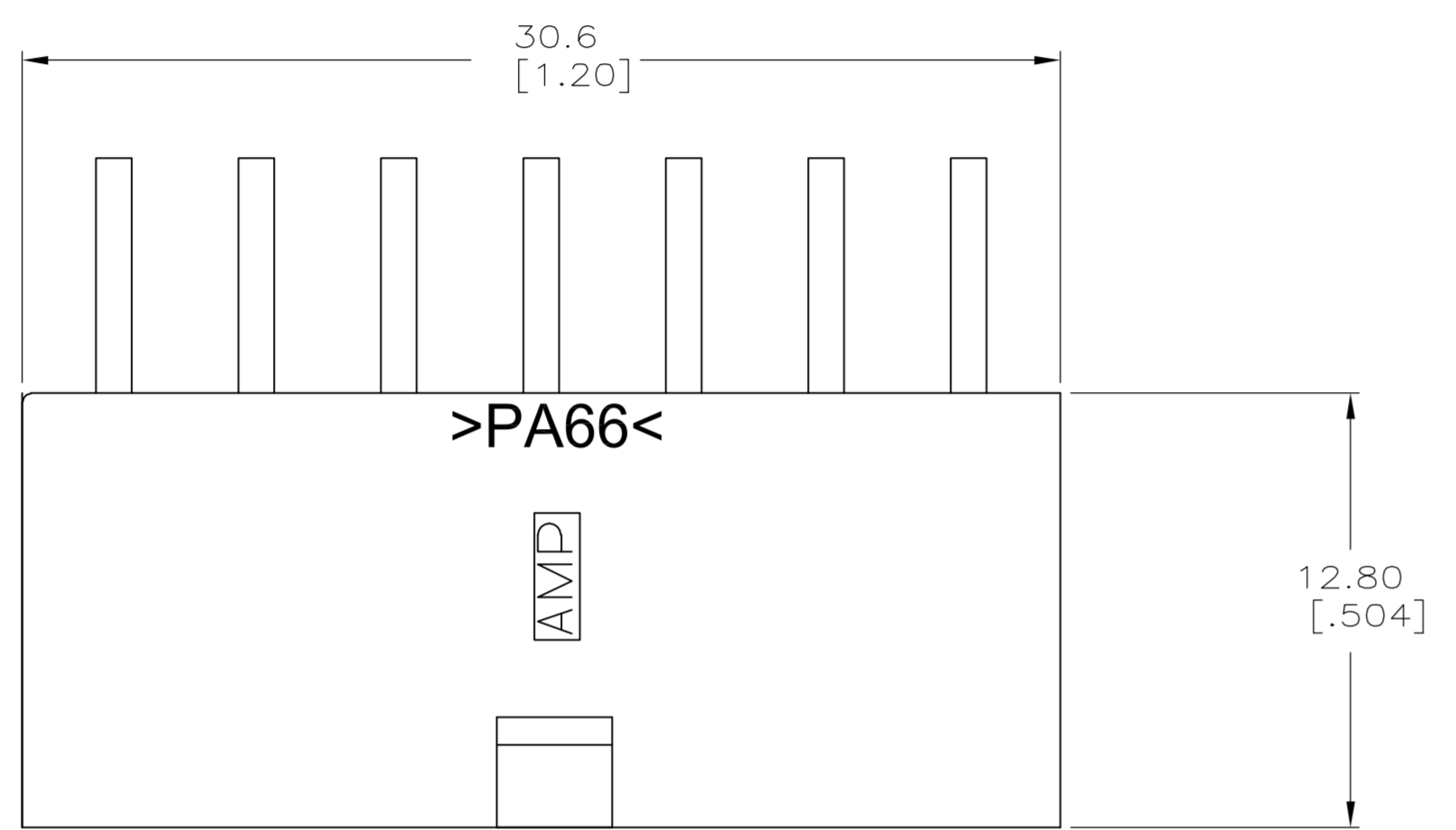


LOC		DIST		REVISIONS			
P	LTR	DATE	DESCRIPTION	DATE	OWN	APVD	
D		10NOV06	REVISED PER ECO-06-014735		KW	DC	

- 1 MATERIAL: HOUSING - NYLON, UL94V-2 (COLOR - NATURAL).  
PIN - 1.067mm<sup>2</sup> [.0017in<sup>2</sup>] COPPER ALLOY.
- 2 PINS TO COMPLY WITH SOLDERABILITY SPEC 109-11-3.
- 3 0.00381 [.000150] MINIMUM TIN LEAD OVER 0.00127 [.000050] MINIMUM NICKEL, ENTIRE LENGTH OF PIN.
- 4 NOTE DELETED.
- 5 0.00381 [.000150] MINIMUM TIN OVER 0.00127 [.000050] MINIMUM NICKEL, ENTIRE LENGTH OF PIN.



SUPERSEDED BY 1-794512-1

1	5	1	1	1-794512-1
1	3	1	1	794512-1
MATERIAL		FINISH		ASSEMBLY
PIN		HOUSING		

**METRIC**

THIS DRAWING IS A CONTROLLED DOCUMENT.

DIMENSIONS:	mm [INCHES]	TOLERANCES UNLESS OTHERWISE SPECIFIED:	0 PLC ± .02 [0.01]	1 PLC ± .03 [0.012]	2 PLC ± .04 [0.015]	3 PLC ± .05 [0.020]	4 PLC ± .06 [0.024]	ANGLES: ± 0° 30'	
MATERIAL	SEE CHART	FINISH	SEE CHART	DWN S. HOOVER 02-MAR-2005		CHK D. COLEY 02-MAR-2005		APVD D. COLEY 02-MAR-2005	
CUSTOMER DRAWING				Tyco Electronics Corporation Harrisburg, Pa 17105-3608		NAME		RESTRICTED TO	
SCALE 5:1				SHEET 1 OF 1		REV D		108-1646 94V-2, AMP-DUACTM POWER CONNECTOR	