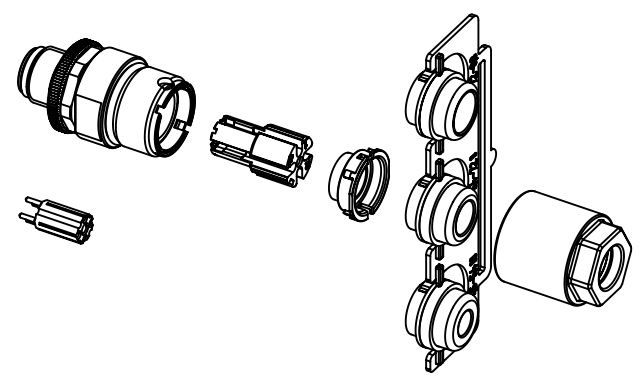


order contacts separately

shielding resistance $\leq 1,5 \text{ Ohm}$
 material metal parts: stainless steel
 (EN 10088-3/ 1.4404/ X2CrNiMo17-12-2)

4,5-8,8mm	AWG 24-20	09 67 000 8576
	AWG 26-22	09 67 000 5576
	AWG 22-18	09 67 000 3576
cable ϕ	wire gauge	part-no.



	All Dimensions in mm Original Size DIN A4	Scale 1:1	Free size tol.		Ref.
	All rights reserved Department EC PD - DE	Created by HELLMANN	Inspected by EISFELD	Standardisation HOFFMANN	Sub. TB 21038821435 / 500000092275 / 2015-07-24
HARTING Electronics GmbH D-32339 Espelkamp		Title HARTING M12-L male crimp D-coded 4-pole			Date 2016-10-18 State Final Release
		Type TB	Number 21038821435		Doc-Key / ECM-Nr. 100527880/UGD/004/E 500000109655
				Rev. E	Page 1/1