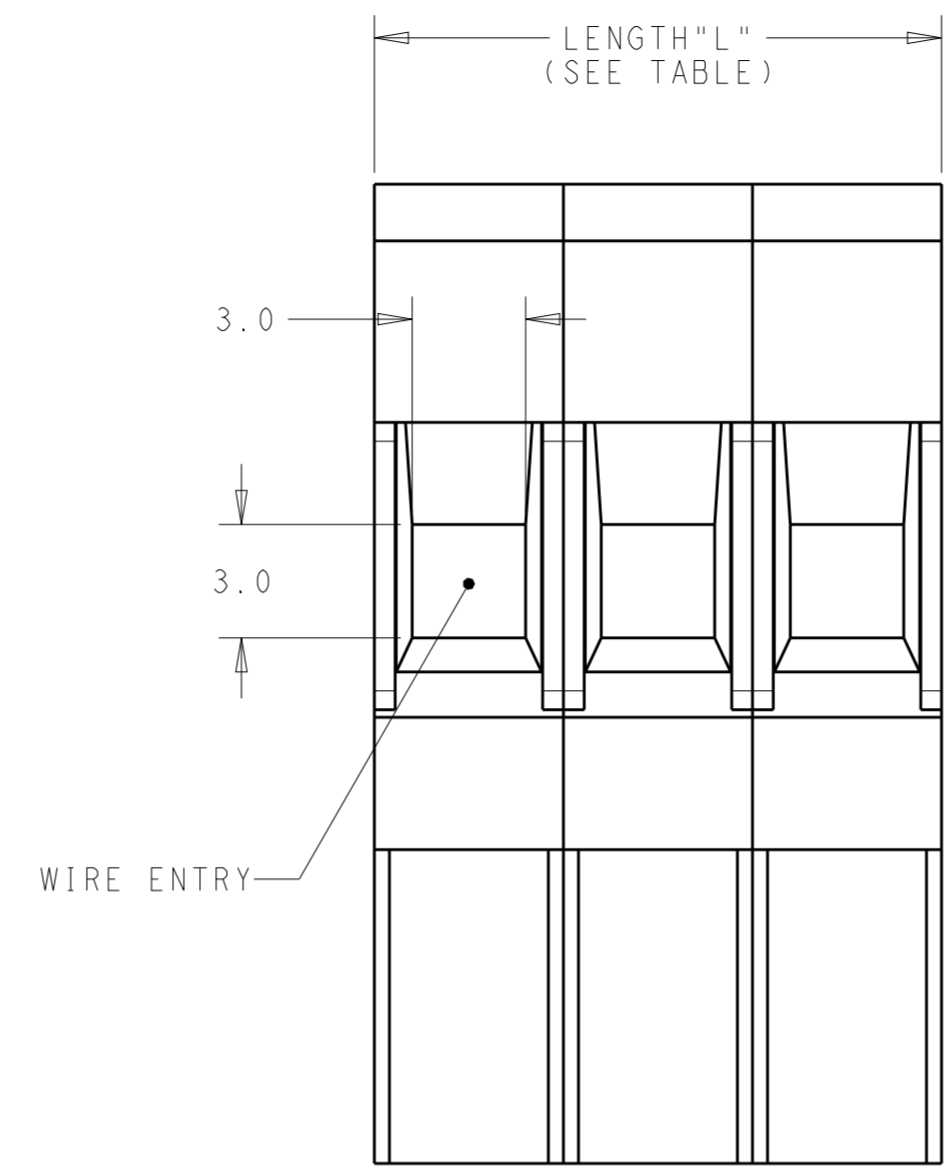
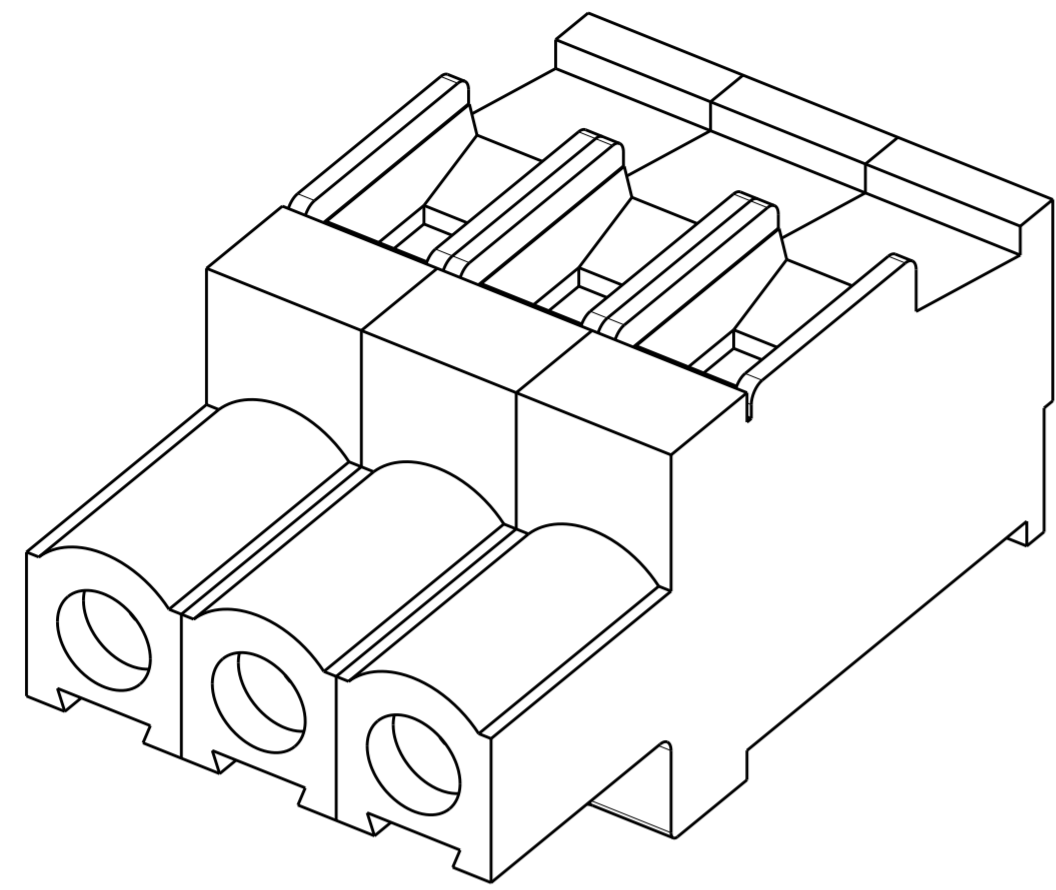
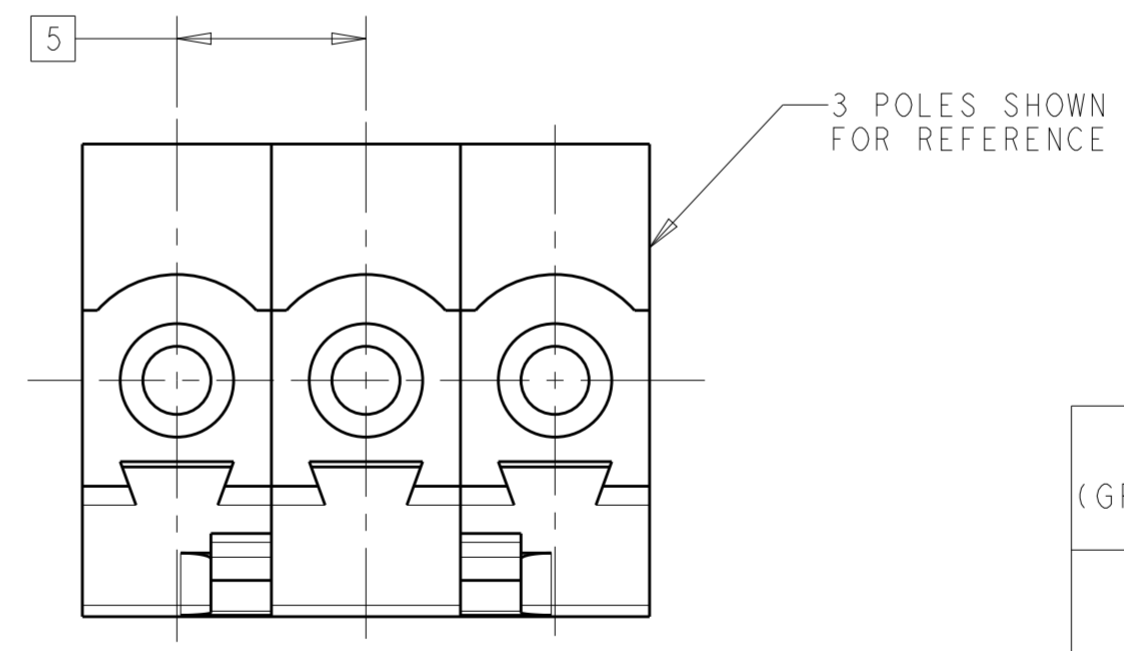
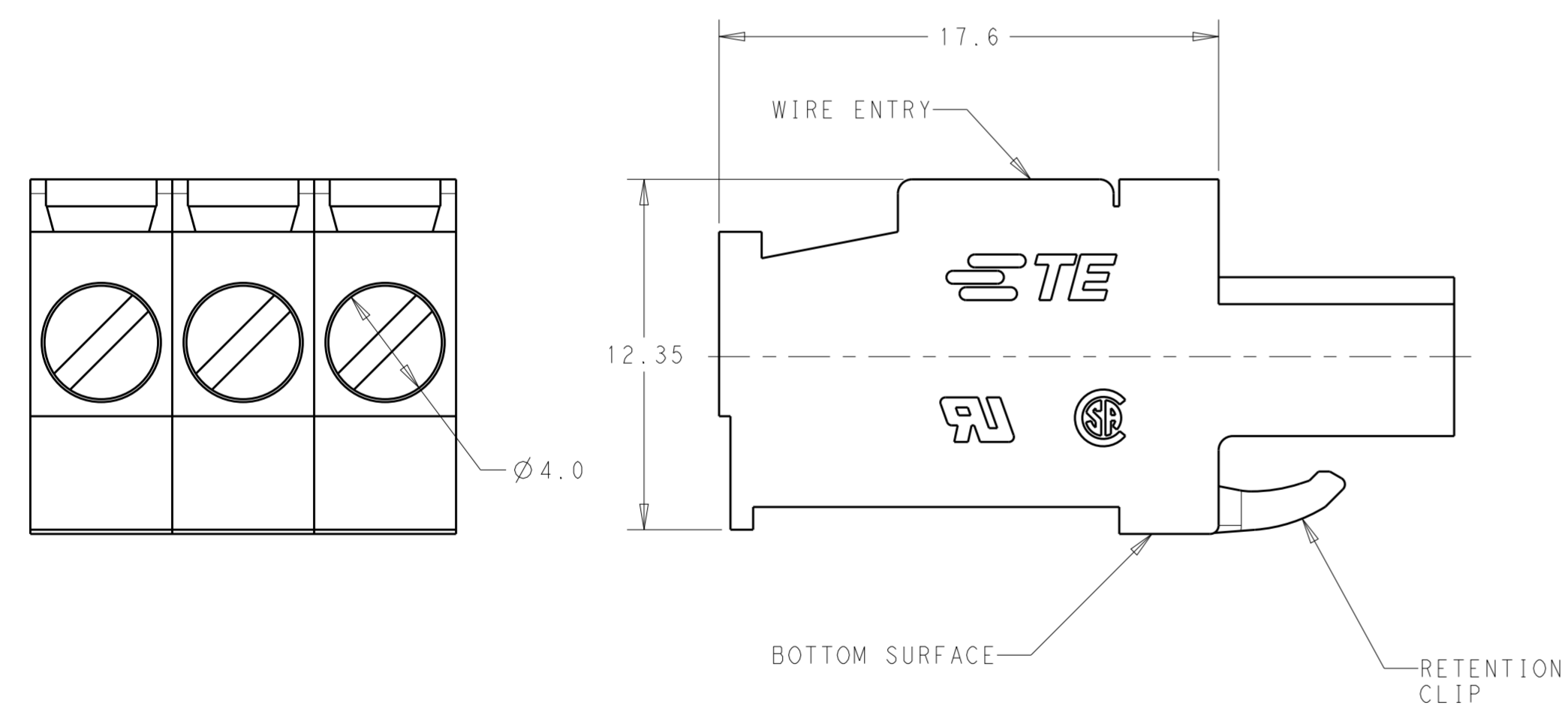


THIS DRAWING IS UNPUBLISHED. RELEASED FOR PUBLICATION
 © COPYRIGHT copyright.d8te ALL RIGHTS RESERVED.

REVISIONS				
P	LTR	DESCRIPTION	DATE	APVD
A		NEW DRAWING	10SEP2016	RS ML
A1		REVISED PER ECR-16-016988	04JAN2017	RK PO



- HOUSING MATERIAL: THERMOPLASTIC, FLAME-RETARDANT PER UL 94 V-0
COLOR = BLACK
- CONTACT MATERIAL: COPPER ALLOY WITH STEEL WIRE CLAMP
- RETENTION CLIP LOCATED ADJACENT TO BOTTOM SURFACE AS SHOWN.
- WIRE SIZE: 26-12 AWG
- SCREW TIGHTENING TORQUE: 0.5 N·m
- △ PRODUCT CERTIFICATIONS:
UL, CSA: 300V (SEE TABLE FOR RATED CURRENT)
- HAZARDOUS SUBSTANCE COMPLIANCE: RoHS, REACH
- MATES WITH 2305908 SERIES



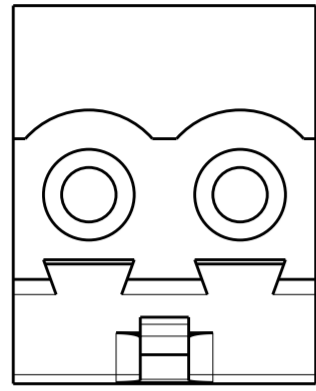
RATED CURRENT △6	LENGTH "L" (mm)	NO. OF POLES	TE PART NO.
10A (GROUP D&E)	60.0	12	1-2213934-2
	55.0	11	1-2213934-1
	50.0	10	1-2213934-0
15A (GROUP B)	45.0	9	2213934-9
	40.0	8	2213934-8
	35.0	7	2213934-7
	30.0	6	2213934-6
	25.0	5	2213934-5
	20.0	4	2213934-4
	15.0	3	2213934-3
	10.0	2	2213934-2

THIS DRAWING IS A CONTROLLED DOCUMENT.

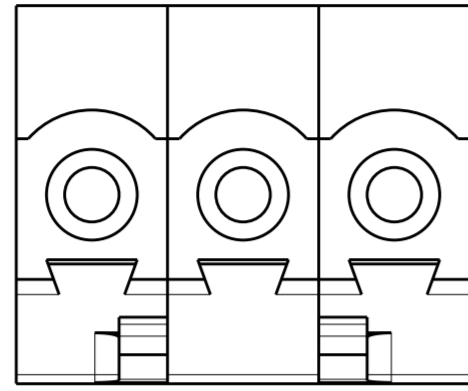
DIMENSIONS: mm	TOLERANCES UNLESS OTHERWISE SPECIFIED:	DWN: RAVI.S 10SEP2016	TE Connectivity
	0 PLC ±	CHK: LUKSIC MAREK 10SEP2016	
	1 PLC ±0.2	APVD: LUKSIC MAREK 10SEP2016	
	2 PLC ±0.13	PRODUCT SPEC	
	3 PLC ±	APPLICATION SPEC	NAME: SOCKET TERMINAL BLOCK, PERPENDICULAR, 5.0MM PITCH, BOTTOM RETENTION
	4 PLC ±	WEIGHT	SIZE: A2 CAGE CODE: - DRAWING NO: C-2213934 RESTRICTED TO: -
MATERIAL: SEE NOTES	ANGLES: ±	CUSTOMER DRAWING	SCALE: 5:1 SHEET 1 OF 2 REV: A1
	FINISH: -		

THIS DRAWING IS UNPUBLISHED. RELEASED FOR PUBLICATION
 © COPYRIGHT copyright.d8te- ALL RIGHTS RESERVED.

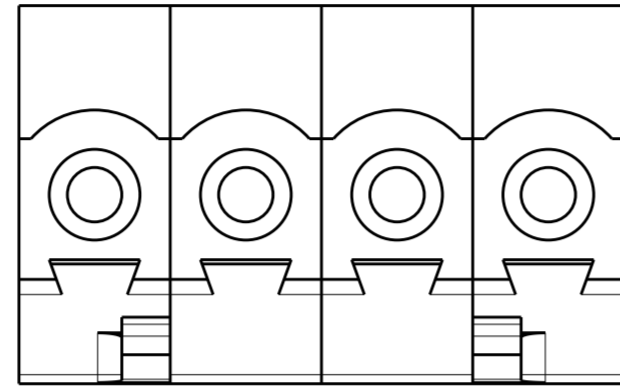
REVISIONS				
P	LTR	DESCRIPTION	DATE	APVD
-		SEE SHEET 1	-	-



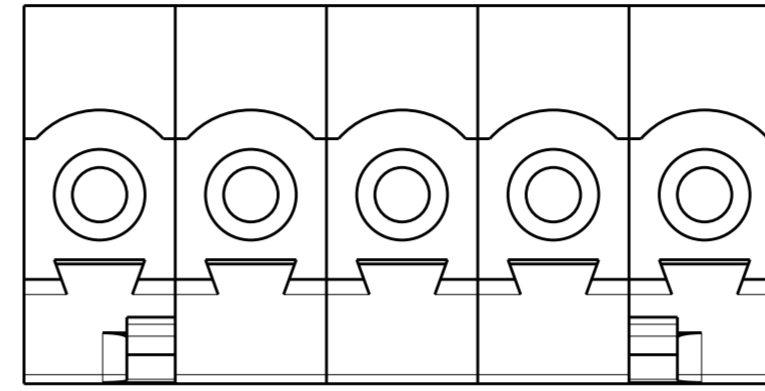
2 POLES: 2213934-2



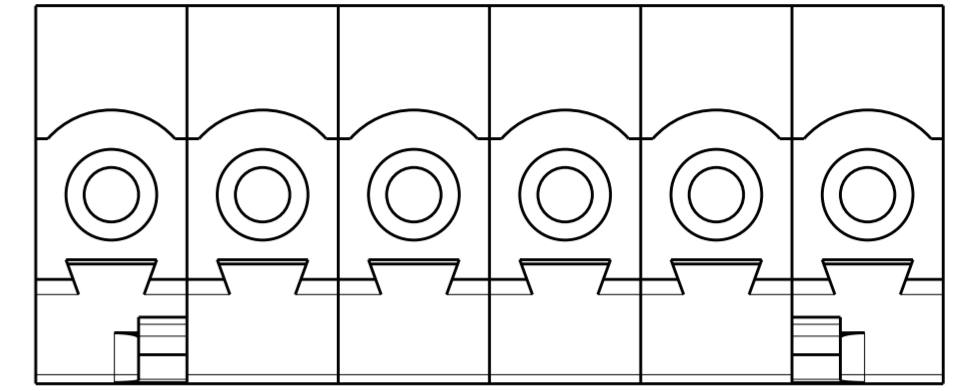
3 POLES: 2213934-3



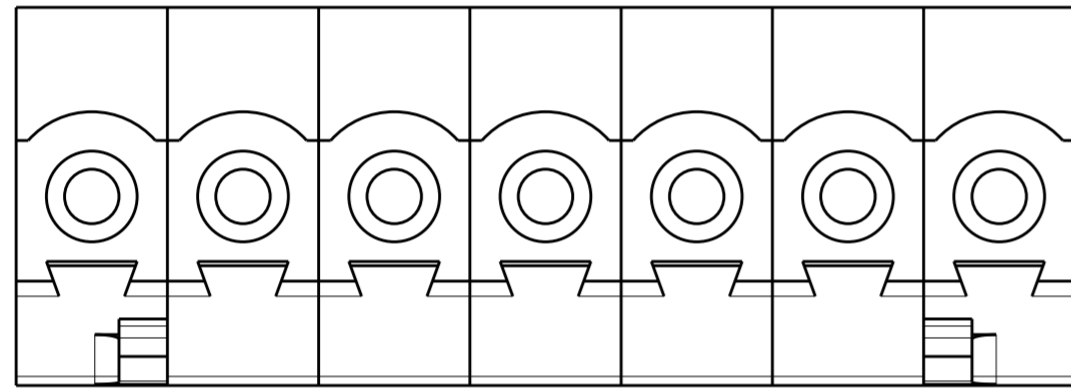
4 POLES: 2213934-4



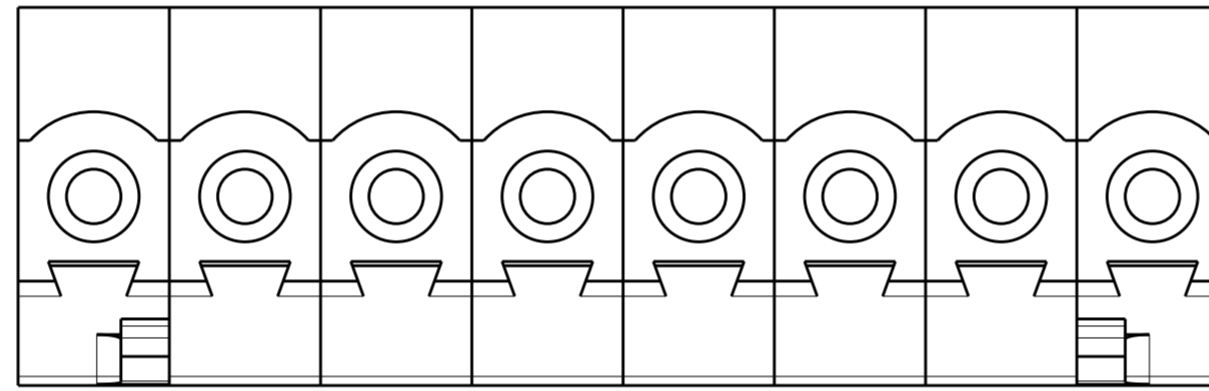
5 POLES: 2213934-5



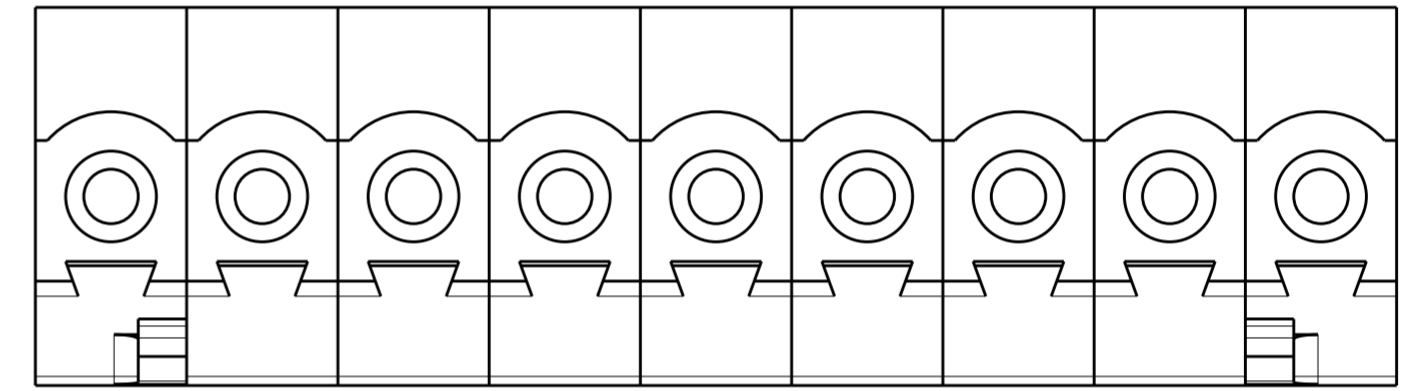
6 POLES: 2213934-6



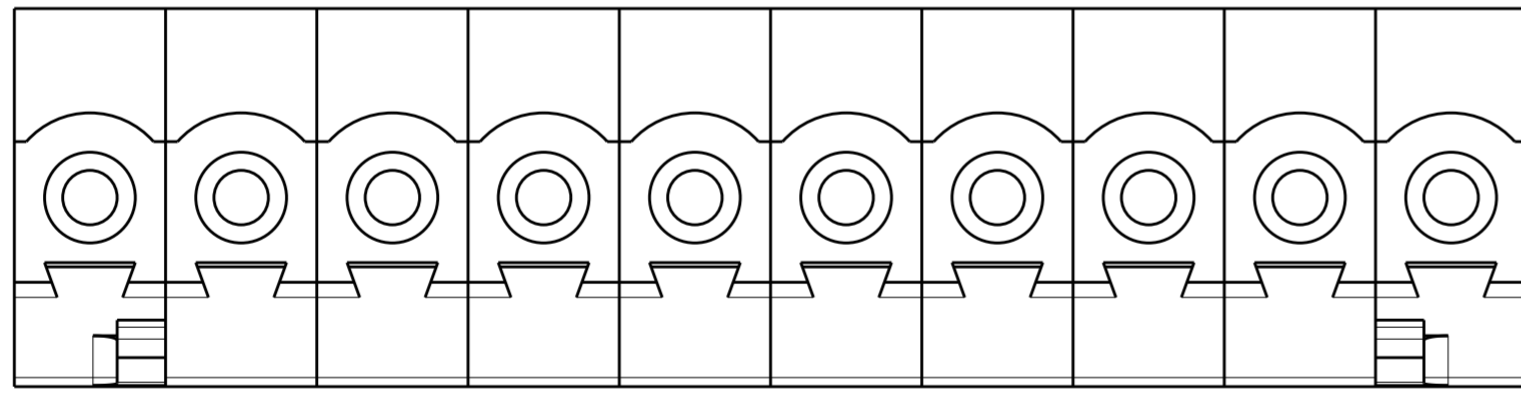
7 POLES: 2213934-7



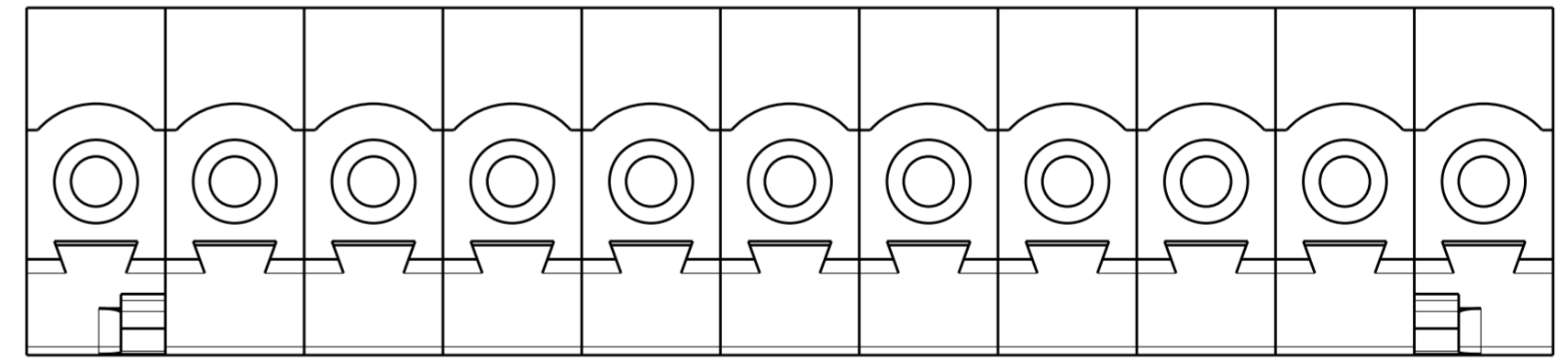
8 POLES: 2213934-8



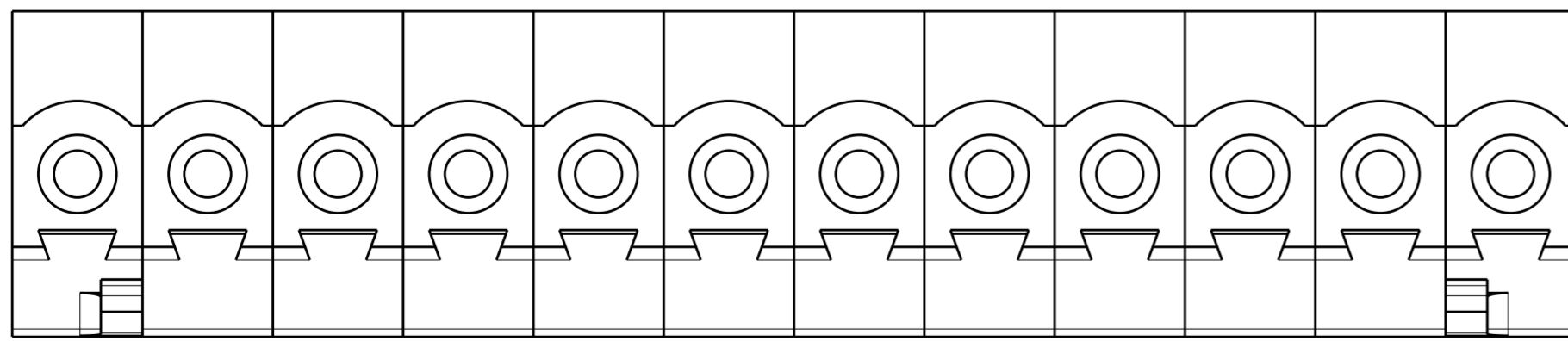
9 POLES: 2213934-9




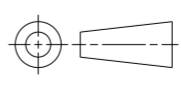
10 POLES: 1-2213934-0



11 POLES: 1-2213934-1



12 POLES: 1-2213934-2

THIS DRAWING IS A CONTROLLED DOCUMENT.		DWN RAVI.S 10SEP2016	 TE Connectivity	
DIMENSIONS: mm		CHK LUKSIC MAREK 10SEP2016		
TOLERANCES UNLESS OTHERWISE SPECIFIED:		APVD LUKSIC MAREK 10SEP2016	NAME SOCKET TERMINAL BLOCK, PERPENDICULAR, 5.0MM PITCH, BOTTOM RETENTION	
		PRODUCT SPEC -	SIZE A2	
MATERIAL -		APPLICATION SPEC -	CAGE CODE -	DRAWING NO. G-2213934
FINISH -		WEIGHT -	RESTRICTED TO -	SCALE 5:1
CUSTOMER DRAWING		SHEET 2 OF 2		REV A1