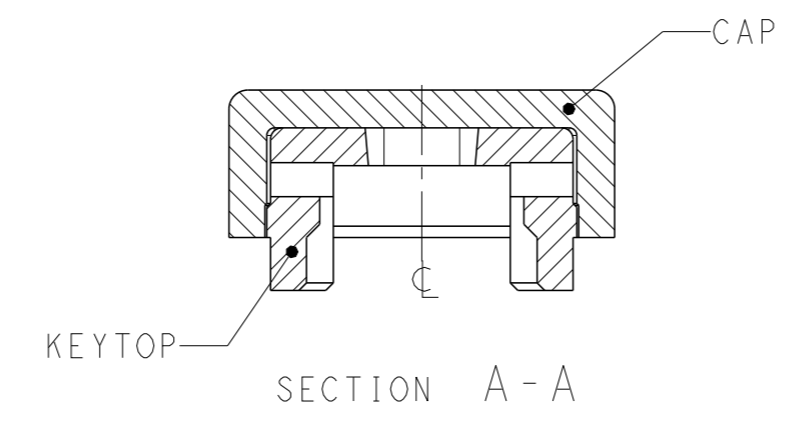
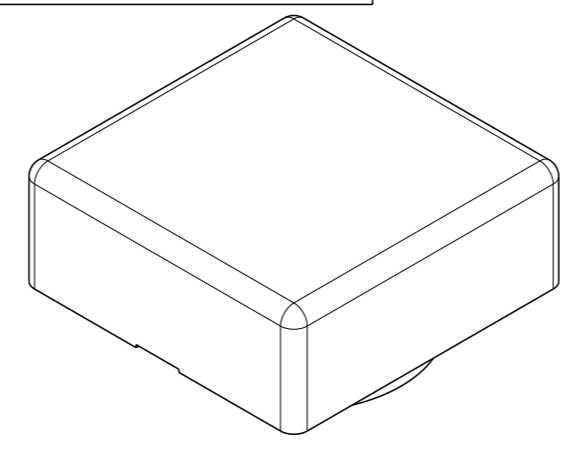
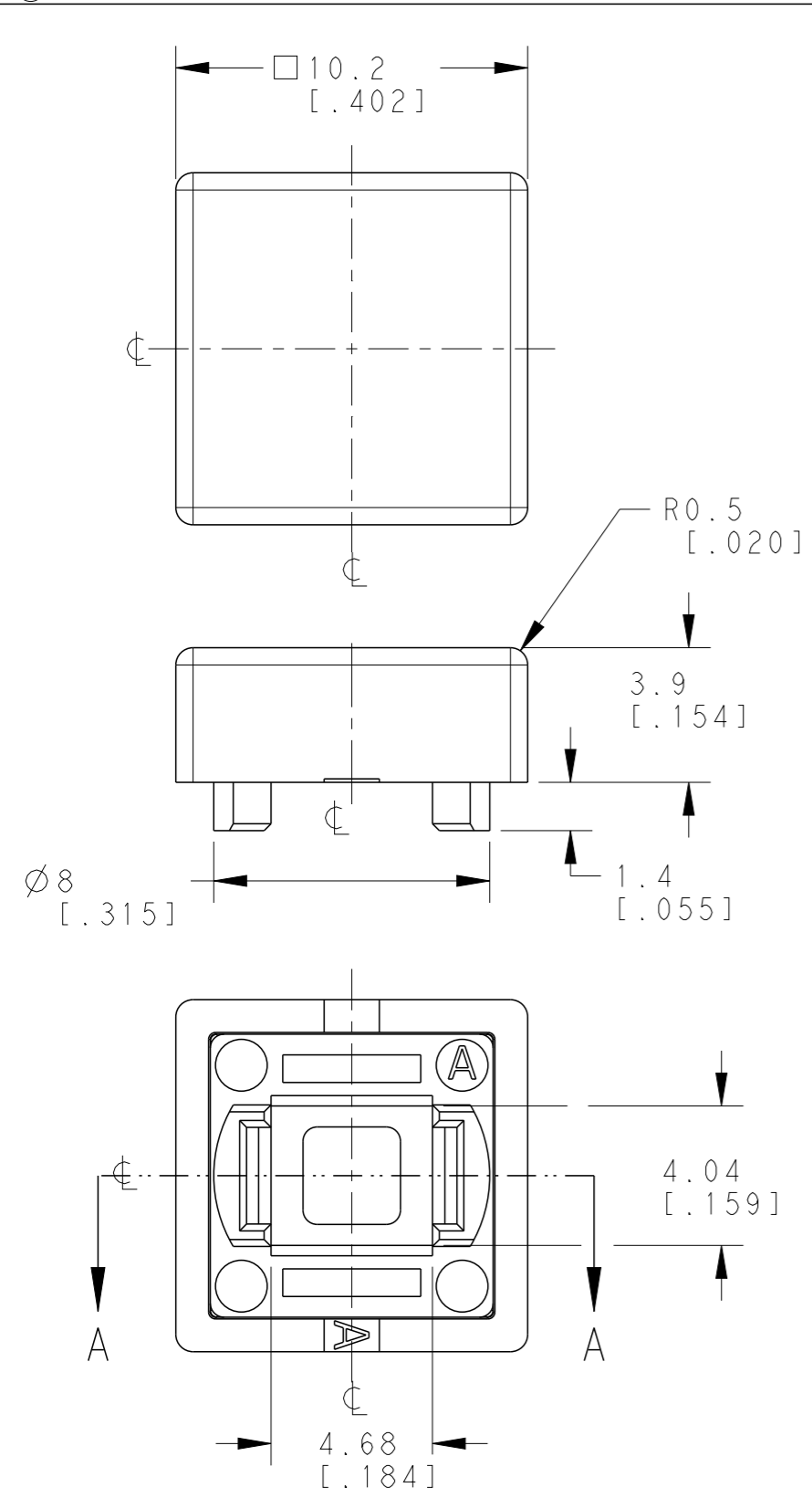


THIS DRAWING IS UNPUBLISHED. RELEASED FOR PUBLICATION 20  
 © COPYRIGHT 20 BY - ALL RIGHTS RESERVED.

REVISIONS					
P	LTR	DESCRIPTION	DATE	DWN	APVD
1		INITIAL RELEASE	28OCT2016	RK	SS
A		RELEASED TO PRODUCTION	21DEC2016	RK	SS



SPECIFICATIONS:


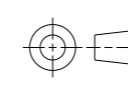
MATERIALS  
 CAP : THERMOPLASTIC PC  
 KEYTOP : THERMOPLASTIC ABS

ENVIRONMENTAL  
 OPERATING TEMPERATURE RANGE : -40°C TO +85°C  
 STORAGE TEMPERATURE RANGE : -40°C TO +85°C

NOTE:

1. CAPS ARE BULK PACKED IN PLASTIC BAGS. BAGS TO BE LABELED WITH THE INFORMATION DEFINED IN TEC-107-115. BAGS SHALL BE SHIPPED IN SUITABLE BOXES AS DEFINED IN TEC-107-115.
2. ALL MATERIALS AND FINISHES SHALL COMPLY WITH EU DIRECTIVE 2002/95/EC OF 27JAN2003(ROHS).
3. THESE PARTS ARE DESIGNED FOR USE WITH ILLUMINATED TACTILE SWITCHES TE P/N SERIES 2213818-X AND 2213819-X.
4. CAP SHALL BE INSTALLED AFTER SOLDERING THE ILLUMINATED TACTILE SWITCH TO PCB.

CLEAR	YELLOW	2311403-5
CLEAR	BLUE	2311403-4
CLEAR	RED	2311403-3
CLEAR	BLACK	2311403-2
CLEAR	GREEN	2311403-1
CAP	KEYTOP	TE PART NUMBER
COLOR		

THIS DRAWING IS A CONTROLLED DOCUMENT.		DWN 28OCT2016 RAGHAVENDRA K	 TE Connectivity		
DIMENSIONS: mm[inches]		CHK 28OCT2016 SANJAY S			
TOLERANCES UNLESS OTHERWISE SPECIFIED: GENERAL TOLERANCES ±0.3		APVD 28OCT2016 PETER OTT	NAME CAP FOR ILLUMINATED TACTILE SWITCH		
 0 PLC ±- 1 PLC ±- 2 PLC ±- 3 PLC ±- 4 PLC ±- ANGLES ±-		PRODUCT SPEC -	APPLICATION SPEC -		
MATERIAL SEE NOTE		WEIGHT -	SIZE A3	CAGE CODE 00779	DRAWING NO C-2311403
-		CUSTOMER DRAWING	SCALE 5:1	SHEET 1 OF 1	RESTRICTED TO -
-				REV A	