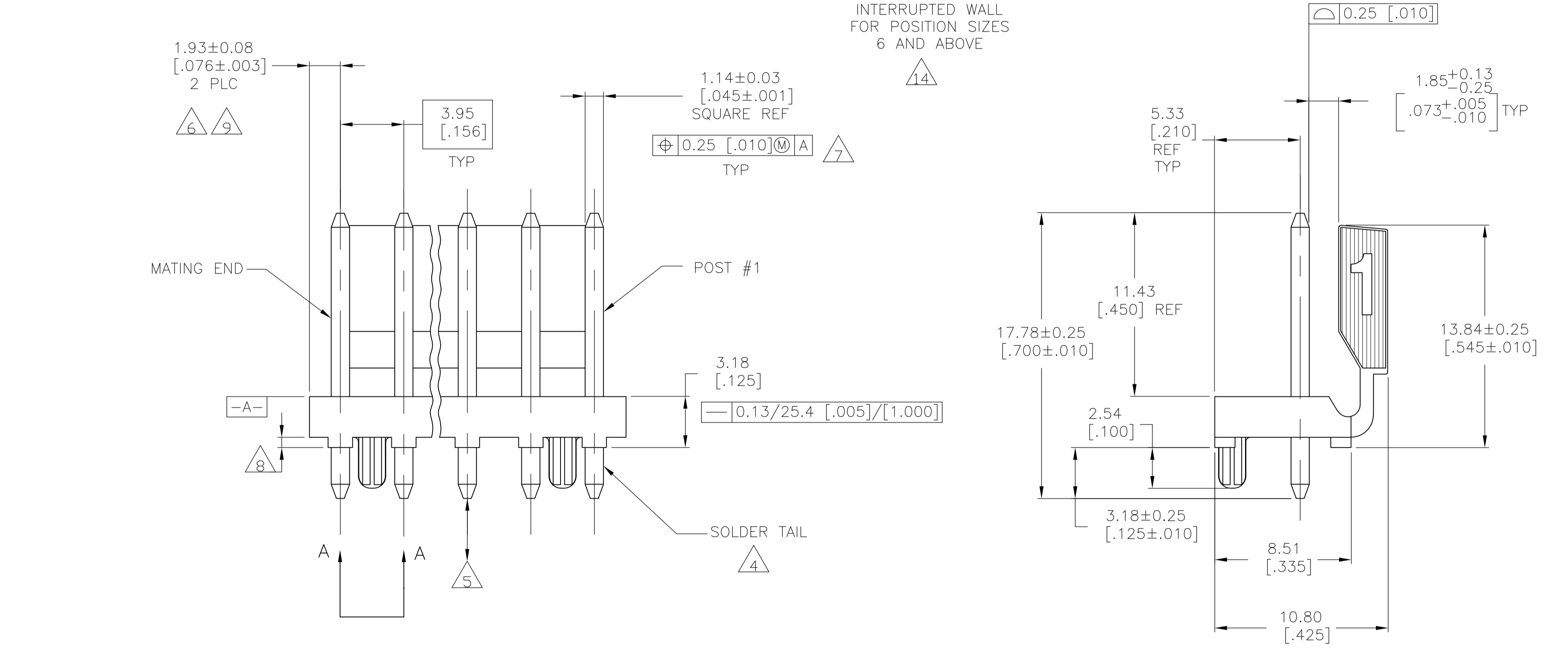
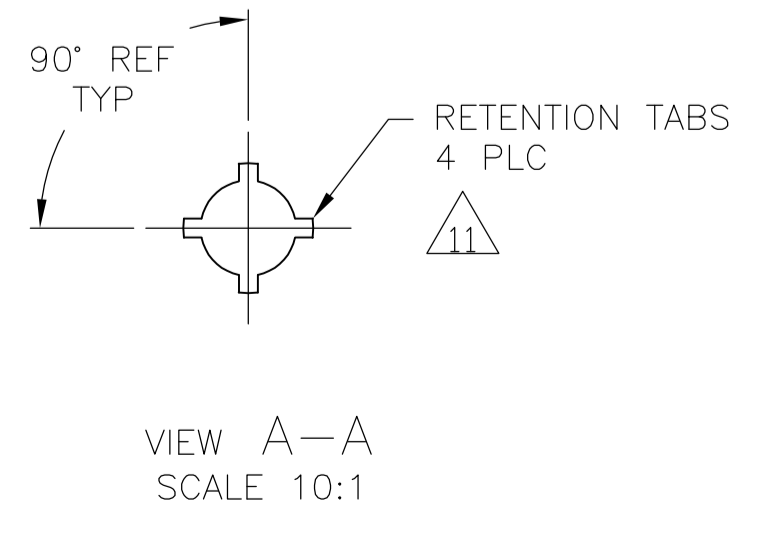
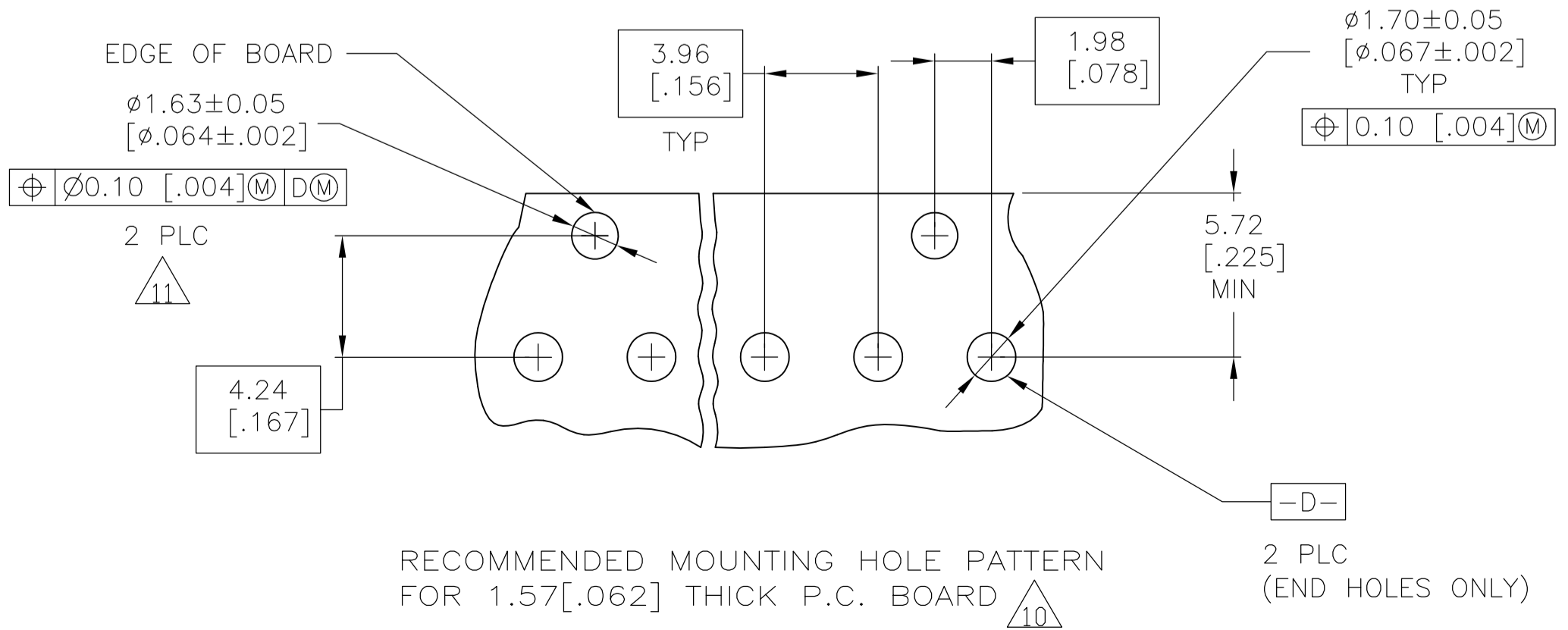


- 1 MATERIAL
HOUSING: THERMOPLASTIC POLYESTER, GLASS FILLED, UL94V-0.
POST: COPPER ALLOY
- 2 FINISH
HOUSING: NATURAL
POST: BRIGHT TIN-LEAD (93/7) PLATE, 0.0038[.000150]-0.0088[.000350] THICK OVER NICKEL UNDERPLATE, 0.0013[.000050] MIN THICK.
- 4 POST SOLDER DETAILS COMPLY WITH AMP SOLDERABILITY SPEC 109-11-2.
- 5 POST WITHSTANDS 13.34N (3 LB) MIN AXIAL FORCE IN EITHER DIRECTION WITHOUT DISLODGING.
- 6 APPLIES AT -A-.
- 7 APPLIES WHEN THE HEADER IS STRAIGHT.
- 8 PLASTIC PROJECTIONS PERMITTED IN THIS ZONE.
- 9 COORDINATE DIMENSIONS APPLIES FROM THE CENTER OF THE ACTUAL FEATURE.
- 10 SOLDER SIDE OF BOARD IS SHOWN.
- 11 THE RETENTION TABS PROVIDE A ONE-TIME INTERFERENCE FIT IN THE 1.63[.064] DIAMETER BOARD HOLE FOR HEADER ASSEMBLY RETENTION DURING SOLDERING. FOUR TABS PER PEG, TWO PEGS PER HEADER ASSEMBLY (ONE PEG ONLY FOR 2 POSITION SIZE).
- 12 UL MARKING MAY NOT APPEAR ON THE 2 OR 3 POSITION SIZES. CSA MARKING MAY NOT APPEAR ON THE 2 POSITION SIZE.
- 13 DIMENSIONS IN BRACKETS ARE IN INCHES.
- 14 ALL POSITION SIZES HAVE THE BACKWALL NOTCHED ON BOTH ENDS AS SHOWN. THE 2 THRU 5 POSITION SIZES HAVE SOLID BACKWALLS. POSITION SIZES 6 AND ABOVE HAVE AN INTERRUPTED BACKWALL AT VARIOUS LOCATIONS (SEE TABLE FOR INTERRUPTION(S) LOCATIONS).
- 15 EDGE OF POLARIZING LOCK WALL TO BE IN LINE WITH CENTERLINE OF ADJACENT POST WITHIN ±0.13 [.005].
- 16 NOTCH SHOWN MAY OR MAY NOT APPEAR.
- 17 FINISH
HOUSING: NATURAL
POST: MATTE TIN PLATE, .000150" MIN THICK OVER NICKEL.



POSITION	POST	LENGTH	WIDTH	NO. OF CIRCUITS	PART NUMBER
4&5, 7&8, 11&12, 14&15		71.20	[2.803]	18	4-644615-8
4&5, 7&8, 10&11, 13&14		67.23	[2.647]	17	4-644615-7
4&5, 8&9, 12&13		63.27	[2.491]	16	4-644615-6
4&5, 8&9, 11&12		59.31	[2.335]	15	4-644615-5
4&5 7&8, 10&11		55.35	[2.179]	14	4-644615-4
4&5 7&8, 10&11		51.38	[2.023]	13	4-644615-3
4&5, 8&9		47.42	[1.867]	12	4-644615-2
4&5, 7&8		43.46	[1.711]	11	4-644615-1
3&4, 7&8		39.50	[1.555]	10	4-644615-0
3&4, 6&7		35.53	[1.399]	9	3-644615-9
4&5		31.57	[1.243]	8	3-644615-8
4&5		27.61	[1.087]	7	3-644615-7
3&4		23.65	[.931]	6	3-644615-6
NONE		19.69	[.775]	5	3-644615-5
NONE		15.72	[.619]	4	3-644615-4
NONE		11.76	[.463]	3	3-644615-3
NONE		7.80	[.307]	2	3-644615-2
4&5, 7&8, 11&12, 14&15		71.20	[2.803]	18	1-644615-8
4&5, 7&8, 10&11, 13&14		67.23	[2.647]	17	1-644615-7
4&5, 8&9, 12&13		63.27	[2.491]	16	1-644615-6
4&5, 8&9, 11&12		59.31	[2.335]	15	1-644615-5
4&5 7&8, 10&11		55.35	[2.179]	14	1-644615-4
4&5 7&8, 10&11		51.38	[2.023]	13	1-644615-3
4&5, 8&9		47.42	[1.867]	12	1-644615-2
4&5, 7&8		43.46	[1.711]	11	1-644615-1
3&4, 7&8		39.50	[1.555]	10	1-644615-0
3&4, 6&7		35.53	[1.399]	9	644615-9
4&5		31.57	[1.243]	8	644615-8
4&5		27.61	[1.087]	7	644615-7
3&4		23.65	[.931]	6	644615-6
NONE		19.69	[.775]	5	644615-5
NONE		15.72	[.619]	4	644615-4
NONE		11.76	[.463]	3	644615-3
NONE		7.80	[.307]	2	644615-2



THIS DRAWING IS A CONTROLLED DOCUMENT.

DIMENSIONS: mm [INCHES]	TOLERANCES UNLESS OTHERWISE SPECIFIED:	DIN S. CARPENTER 12AJG2003	APVD D. BOSSI 12AJG2003	NAME
0 PLC ± -	1 PLC ± -			
2 PLC ± -	3 PLC ± -			
4 PLC ± -	ANGLES ± -			

MATERIAL 1 FINISH 2 17

THIS DRAWING IS A CONTROLLED DOCUMENT. CUSTOMER DRAWING

SCALE 5:1 SHEET 1 OF 1 REV K

TE Connectivity

MTA-156 HEADER ASSEMBLY, POLARIZED LOCK, STRAIGHT .045 SQUARE POST, TIN OR TIN-LEAD PLATED W/RETENTION PEGS

00779 644615