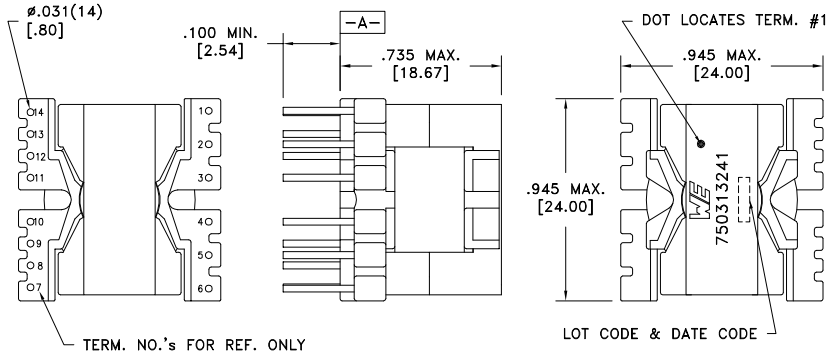


| | | |
|-------------------|------|---------------|
| CUSTOMER TERMINAL | RoHS | LEAD(Pb)-FREE |
| Sn96%, Ag4% | Yes | Yes |

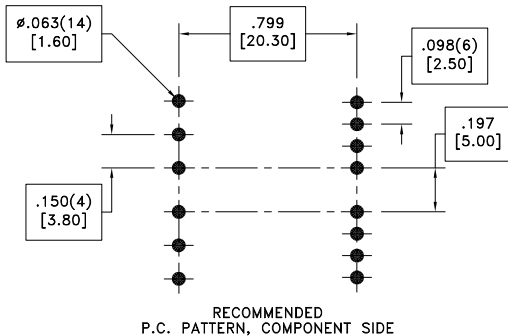
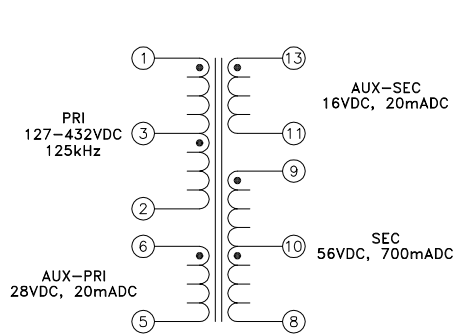


PART MUST INSERT FULLY TO SURFACE A IN RECOMMENDED GRID



ELECTRICAL SPECIFICATIONS @ 25°C unless otherwise noted:

| PARAMETER | TEST CONDITIONS | VALUE |
|--------------------|---|-------------------|
| D.C. RESISTANCE | 1-3 @20°C | 1.05 ohms ±10% |
| D.C. RESISTANCE | 3-2 @20°C | 1.35 ohms ±10% |
| D.C. RESISTANCE | 6-5 @20°C | 0.290 ohms ±10% |
| D.C. RESISTANCE | 9-10 @20°C | 0.110 ohms ±10% |
| D.C. RESISTANCE | 10-8 @20°C | 0.088 ohms ±10% |
| D.C. RESISTANCE | 13-11 @20°C | 0.175 ohms ±10% |
| INDUCTANCE | 1-2 10kHz, 100mVAC, Ls | 3.52mH ±10% |
| SATURATION CURRENT | 20% rolloff from initial | 780mA |
| LEAKAGE INDUCTANCE | 1-2 tie(5+6, 8+9+10+11+13), 100kHz, 100mVAC, Ls | 22uH max. |
| DIELECTRIC | 1-9 tie(2+6, 8+13), 3750VAC, 1 second | 3000VAC, 1 minute |
| TURNS RATIO | (1-2):(6-5) | 8.83:1, ±2% |
| TURNS RATIO | (1-2):(13-11) | 15.14:1, ±2% |
| TURNS RATIO | (1-2):(9-10) | 8.83:1, ±2% |
| TURNS RATIO | (1-2):(10-8) | 8.83:1, ±2% |
| TURNS RATIO | (1-3):(3-2) | 1:1, ±2% |



GENERAL SPECIFICATIONS:

OPERATING TEMPERATURE RANGE: -40°C to +125°C including temp rise.

Safety Standard Undefined.

Wire insulation & RoHS status not affected by wire color.
Wire insulation color may vary depending on availability.

DETAILS SUBJECT TO CHANGE

| | | | | | | |
|------|-------|--|----------------------|--|-------------------------------------|------------------------------|
| REV. | DATE | Packaging Specifications Method: Tray PKG-0100 www.we-online.com/midcom | | Tolerances unless otherwise specified: Angles: ±1° Fractions: ±1/64 Decimals: ±.005 [0.13] Footprint: ±.001 [0.03] | DRAWING TITLE TRANSFORMER | PART NO. 750313241 |
| 6A | 11/12 | SEE REVISION SHEET FOR REVISION LEVEL | CONVENTION PLACEMENT | This drawing is dual dimensioned. Dimensions in brackets are in millimeters. | eiSos p/n: 750313241 | SPECIFICATION SHEET 1 OF 1 |