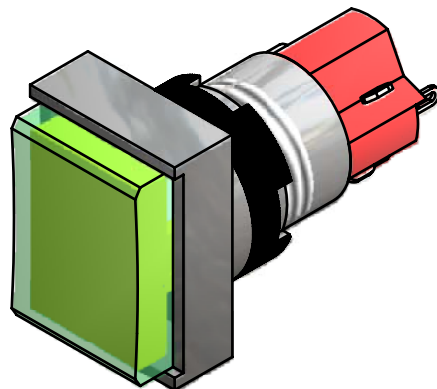
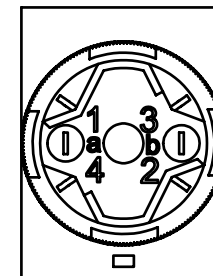
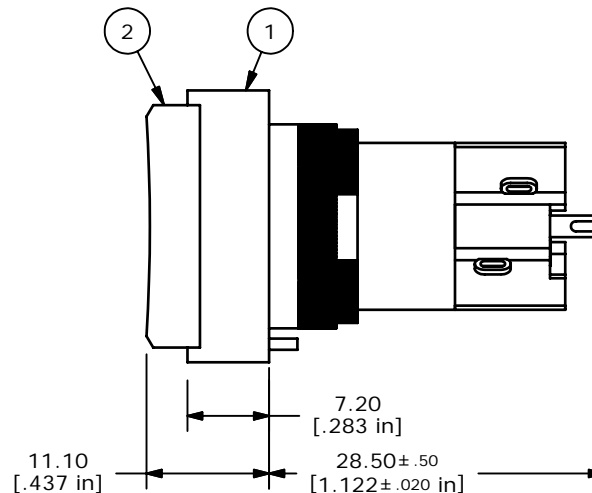
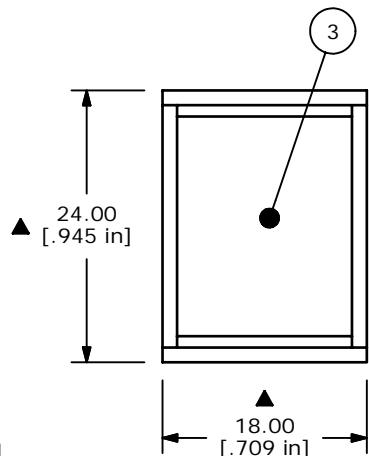
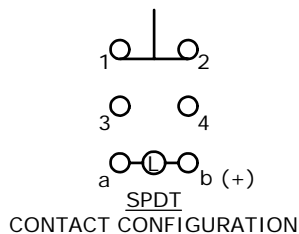


PANEL MOUNTING



ISOMETRIC

▲ PARTS LIST			
ITEM	QTY	PART NUMBER	DESCRIPTION
1	1	F040004	D16EET11
2	1	F050422	24VDC GREEN LED
3	1	F050202	TRANSPARENT GREEN LENS



NOTE:

1. ALL DIMENSIONS IN MM [INCH]
2. GENERAL TOLERANCE: X.X=±0.4  
X.XX=±0.25
3. TERMINAL NUMBERS FOR REF ONLY
4. RATING: 5A @ 250 VAC  
6A @ 24 VDC
5. MECHANICAL LIFE: 2,000,000 OPERATIONS.
6. INSULATION RESISTANCE: 1,000 MEGA-OHM MIN.
7. OPERATING TEMP.: -20°C to 55°C
- ▲8. LAMP VOLTAGE: 24V DC
9. ▲ DENOTES CRITICAL PARAMETER.
10. 2002/05/EC (ROHS) COMPLIANT.
11. PACKAGE: BOX/20 PIECES PER BOX



A	17459	RELEASED FOR PRODUCTION	7/12/07	TN
REV	PCR NO	DESCRIPTION	DATE	BY

THE INFORMATION CONTAINED IN THIS DOCUMENT IS PROPRIETARY TO E-SWITCH AND IS NOT TO BE COPIED OR TRANSFERRED

TITLE D16EET11KGRNGRN				
SCALE	DATE	DR	DWG	REV
1.5:1	7/12/2007	TN	XF0730P	A