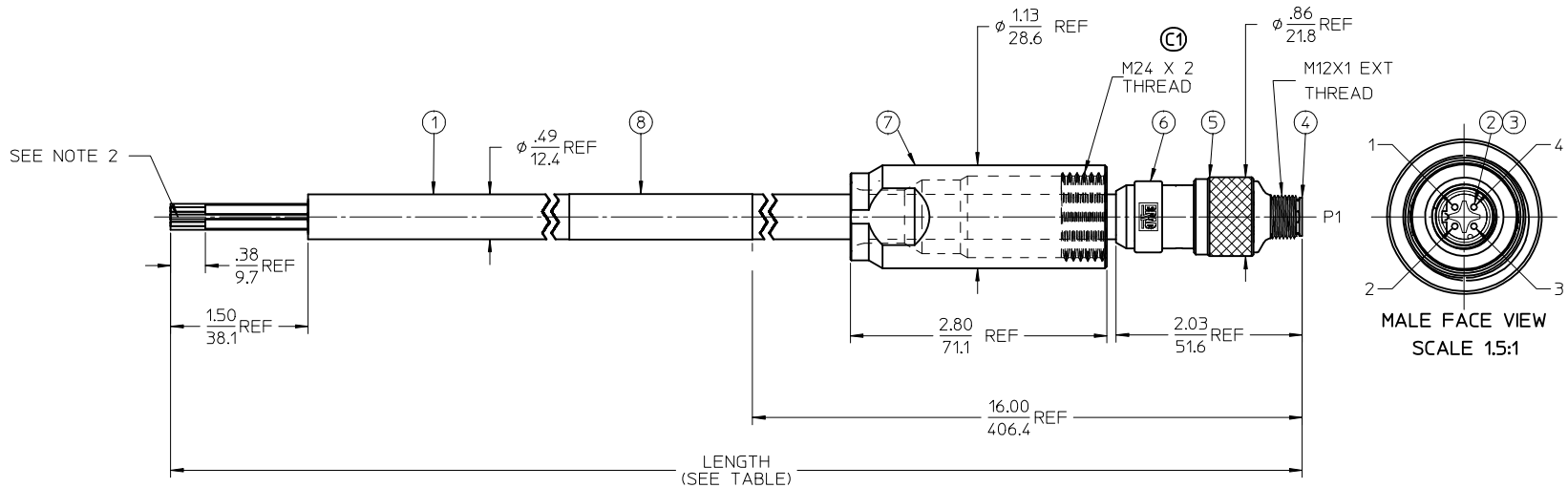
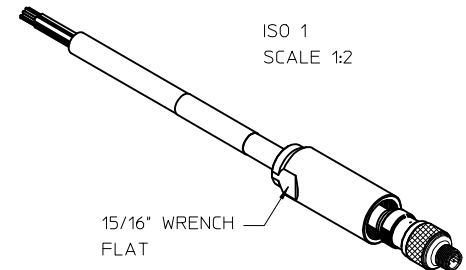
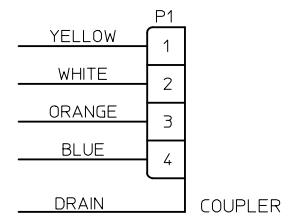


MATERIAL NO.	ENGINEERING NO.	LENGTH
1303045003	1303045003	1.0M +55.6mm -0 [3.28' +2.19' -0]
1303045004	1303045004	2.0M +88.9mm -0 [6.56' +3.50' -0]
1303045005	1303045005	3.0M +88.9mm -0 [9.84' +3.50' -0]
1303045007	1303045007	5.0M +165.1mm -0 [16.40' +6.50' -0]
1303045012	1303045012	10.0M +317.5mm -0 [32.81' +12.50' -0]



NOTES:

1. COMPLIES WITH SAE J2839
2. FREE END OF STRENGTH MEMBER MUST BE PROPERLY SECURED TO COMPLY WITH SAE J2839
3. ASSEMBLY IS FULLY SHIELDED
4. ELECTRICAL RATINGS:  
VOLTAGE 125V  
CURRENT: 1.5AMPS MAX
5. COUPLING NUT TORQUE: HAND TIGHT  
MIN SUPPORT COVER TORQUE: 20 FT-LBS  
CONNECTOR TENSION BUSHING TORQUE: HAND TIGHT
6. MATERIALS: SEE TABLE
7. FINISHES: SEE TABLE
8. ASSEMBLY IS RoHS COMPLIANT



WIRING DIAGRAM  
(SEE NOTE 3)

ITEM	QTY	DESCRIPTION	MATERIAL	FINISH
8	1	LABEL	VINYL	YELLOW
7	1	SUPPORT COVER	STAINLESS STEEL	PASSIVATED
6	1	OVERMOLD	PBT	GREY
5	1	MALE COUPLING NUT, M12	STAINLESS STEEL	PASSIVATED
4	1	MALE HOUSING, D-CODE	ZINC DIE-CAST	CHROME
3	1	MALE INSULATOR, 4C	PBT	BLACK
2	4	MALE CONTACT PIN, 18AWG	Cu ALLOY	GOLD PLATED
1	1	CABLE, 18AWG, 4/C, SHIELDED	XRAD XLE JACKET	SEE WIRE DIAGRAM

<b>ERROR THD WAS M20X2</b> EC NO: IPG2017-0161 DRAWNRSTONE 2016/08/11 CHKDK COX 2016/08/12 APPR:TWOLDEGERIE 2016/08/23	QUALITY SYMBOLS $\nabla=0$ $\nabla=0$
--	---

GENERAL TOLERANCES (UNLESS SPECIFIED)	
mm	INCH
4 PLACES ± ---	± ---
3 PLACES ± ---	± .005
2 PLACES ± 0.13	± .010
1 PLACE ± 0.25	± .020
ANGULAR ± 1/1°	

DRAFT WHERE APPLICABLE  
MUST REMAIN  
WITHIN DIMENSIONS

DIMENSION STYLE	
IN/MM	
DRAWN BY	DATE
LHARTMANN	2011/01/14
CHECKED BY	DATE
VOU	2011/02/22
APPROVED BY	DATE
BWOODMAN	2015/12/02
MATERIAL NO.	
<b>SEE TABLE</b>	
SIZE	
C	

SCALE	DESIGN UNITS	THIRD ANGLE PROJECTION
1:1	INCH	
<b>TITLE</b> M12 EX 300LB PORTABLE 4P M/MP ST E-NET #18/4 BLACK XLPE CABLE		
<b>MOLEX INCORPORATED</b>		<b>SHEET NO.</b> 1 OF 1
<b>DOCUMENT NO.</b> SD-130304-021		