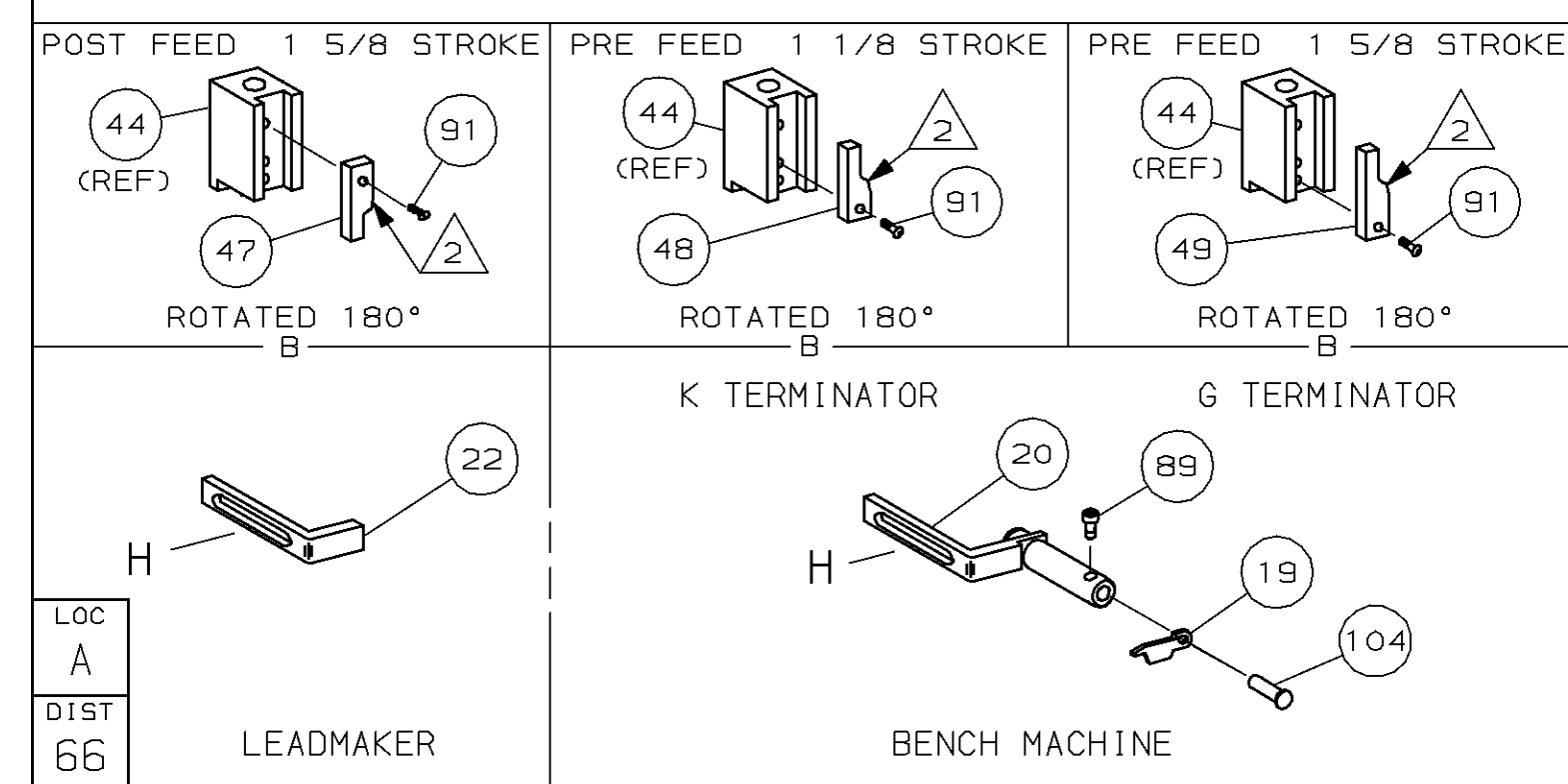
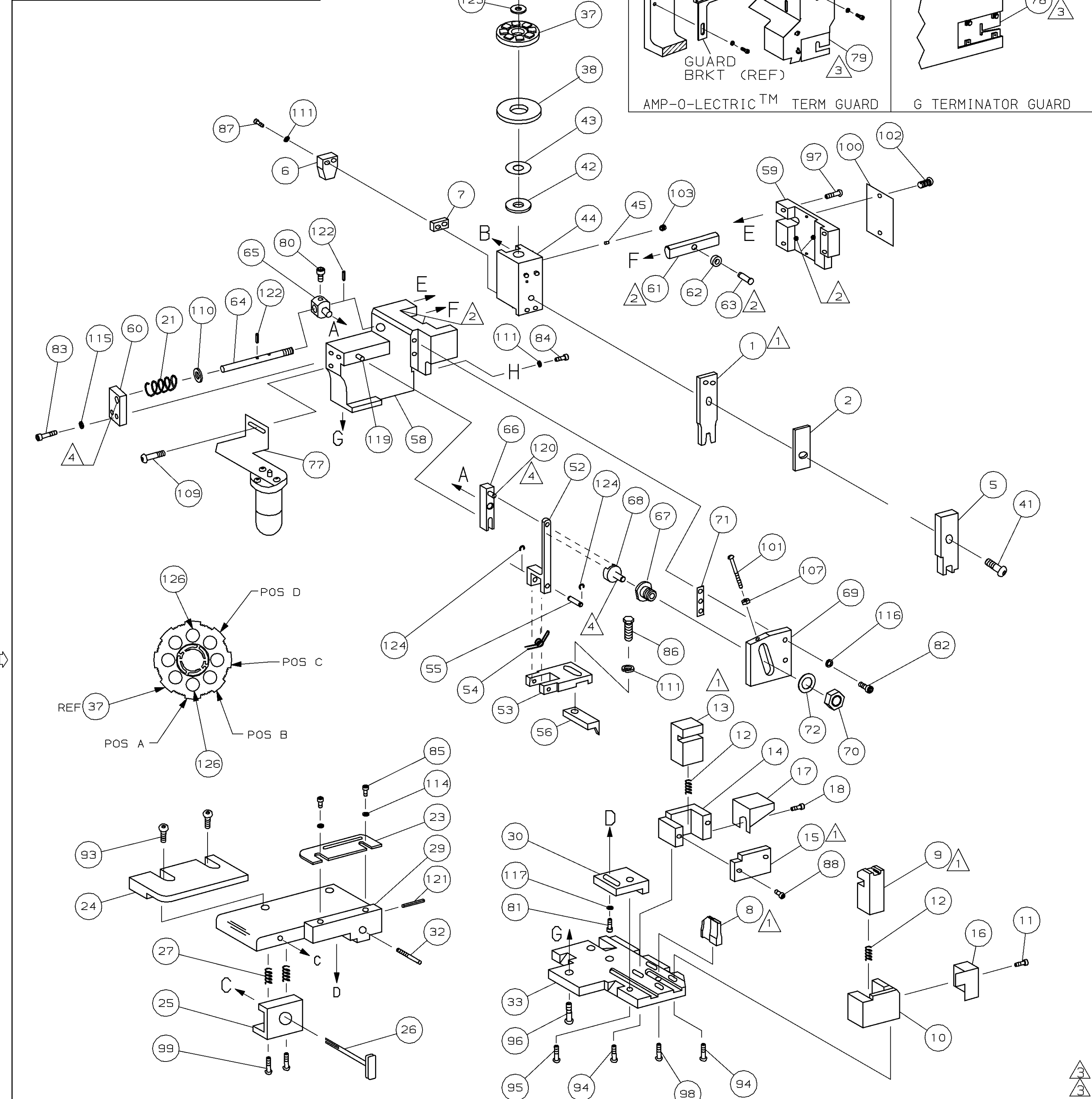


PART NUMBER	REV	FIRST USED
680440-1	A	854400-1
680440-2	A	565435-5
680440-3	A	354500-1



- 1 RECOMMENDED SPARE PARTS.
- 2 GREASE LIGHTLY.
- 3 GUARD MUST BE IN PLACE WHEN OPERATING APPLICATOR IN A BENCH MACHINE.
- 4 LUBRICATE DAILY USING NO. 20 MACHINE OIL.
- 5. ITEMS WITH QTY OF REF SPECIFIED (EXCEPT ITEMS 78 AND 79) ARE USED ON ITEM 46.
- 6 LUBRICATION REQUIRED WITH NICKEL PLATED TERMINALS.
- 7 FOR ALUMINUM WIRE

PAD LTR		CRIMP HEIGHT		WIRE SIZE
A	.112 ±.002 [2.84 ±0.05mm]			9 ALUMINUM
B	NOT			USED
C	NOT			USED
D	NOT			USED
CRIMP	SIZE	TYPE	RANGE	
WIRE	.155 [3.94mm]	F	9 ALUMINUM	
INSUL	-	-	-	

WIRE STRIP LENGTH	TERM APPL SPEC	FEED	APPL INSTRUCTION	SET UP GAGE	LAYOUT
.235-.266	114-2017	.626	408-8040	458637-1	142

QTY	REF	REF	REF	U/M	DWG SIZE	PART NO	DESCRIPTION	ITEM NO
129								129
128								128
127								127
2	2	2	-	C		1-354778-9	PIN, WIRE DISC (.2590)A	126
1	1	1	-	A		986950-1	WASHER, FLAT PRECISION	125
REF	REF	REF	-	A		21045-3	RING, RET "C" (Ø.187)FD FING PIN	124
REF	REF	REF	-	A		5-21028-1	PIN, SLT SPR (Ø.125x.50)ADJ ROD	123
1	1	1	-	A		4-21028-0	PIN, SLT SPR (Ø.093x.75)ST GDE PL	121
REF	REF	REF	-	A		1-21030-1	PIN, DOWEL (Ø.187x.50)LEVER	120
REF	REF	REF	-	A		1-21030-6	PIN, DOWEL (Ø.187x1.25)HOUSING	119
1	1	1	-	A		21024-5	WASHER, LOCK (#10)ADJ BLOCK	118
REF	REF	REF	-	A		21024-5	WASHER, LOCK (#10)ADJ PLATE	116
REF	REF	REF	-	A		21024-5	WASHER, LOCK (#10)FEED GDE ROD	115
2	2	2	-	A		21024-2	WASHER, LOCK (#4)FRONT STP GUIDE	114
4	4	4	-	A		21024-4	WASHER, LOCK (#8)STRIPPER	111
REF	REF	REF	-	A		21899-4	WASHER, FLAT (Ø5/16)SCREW ADJ	110
-	1	-	-	A		2-21002-6	SCR, BHC (10-32x.38)LUBE ASSY	109
REF	REF	REF	-	A		21018-5	NUT, HEX (6-32)FEED ADJ	107
1	1	-	-	A		992031-1	PIN, CLEVIS	104
1	1	1	-	A		21009-2	SCR, SKT SET (1/4-20x.25 LW)RAM	103
2	2	2	-	A		21017-2	SCR, DRIVE (#2x.19)ID PLATE	102
REF	REF	REF	-	A		6-23715-5	SCR, PAN HD (6-32x1.50)FEED ADJ	101
1	1	1	-	B		461264-1	PLATE, IDENTIFICATION	100
2	2	2	-	A		3-21002-0	SCR, BHC (10-32x.88)DRAG	99
1	1	1	-	A		22733-8	SCR, BHC (8-32x.38 LW)ANVIL	98
REF	REF	REF	-	A		2-21002-9	SCR, BHC (10-32x.75)CAP	97
REF	REF	REF	-	A		2-22733-8	SCR, BHC (1/4-20x.62)HOUSING	96
REF	REF	REF	-	A		2-21002-7	SCR, BHC (10-32x.50)SG ADJ BLOCK	95
4	4	4	-	A		2-21002-2	SCR, BHC (8-32x.50)SHEAR	94
2	2	2	-	A		2-21000-2	SCR, SHC (6-32x.75)R STRIP GUIDE	93
1	1	1	-	A		1-21002-7	SCR, BHC (6-32x.38)CAM	91
1	1	-	-	A		7-21000-9	SCR, SHC (4-40x.19)STRIPPER	89
2	2	2	-	A		1-21000-8	SCR, SHC (6-32x.25)R SHEAR PLATE	88
2	2	2	-	A		3-21000-0	SCR, SHC (8-32x.88)DEP-HOLD	87
1	1	1	-	A		2-22603-0	SCR, HEX HD (8-32x.31)FEED FINGER	86
2	2	2	-	A		1-21000-3	SCR, SHC (4-40x.25)F ST GUIDE	85
1	1	1	-	A		2-21000-7	SCR, SHC (8-32x.50)STRIPPER	84
REF	REF	REF	-	A		3-21000-7	SCR, SHC (10-32x.75)FEED ROD GD	83
REF	REF	REF	-	A		3-21000-6	SCR, SHC (10-32x.62)FD ADJ BLK	82
1	1	1	-	A		3-21000-4	SCR, SHC (10-32x.38)SG ADJ BL	81
REF	REF	REF	-	A		3-21000-4	SCR, SHC (10-32x.38)PIVOT BLK	80
-	REF	-	-	B		455749-1	GUARD, WINDOW	79
REF	-	-	-	B		679532-1	INSERT, GUARD	78
-	1	-	-	C		1-465184-0	LUBRICATOR ASSY	77
								76
								75
								74
								73
								72
REF	REF	REF	-	A		458109-1	WASHER, SPECIAL	71
REF	REF	REF	-	A		690517-1	SPACER	70

QTY	REF	REF	REF	U/M	DWG SIZE	PART NO	DESCRIPTION	ITEM NO
1	1	1	-	C		1-21002-7	SCR, BHC (6-32x.38)CAM	91
1	1	-	-	A		7-21000-9	SCR, SHC (4-40x.19)STRIPPER	89
2	2	2	-	A		1-21000-8	SCR, SHC (6-32x.25)R SHEAR PLATE	88
2	2	2	-	A		3-21000-0	SCR, SHC (8-32x.88)DEP-HOLD	87
1	1	1	-	A		2-22603-0	SCR, HEX HD (8-32x.31)FEED FINGER	86
2	2	2	-	A		1-21000-3	SCR, SHC (4-40x.25)F ST GUIDE	85
1	1	1	-	A		2-21000-7	SCR, SHC (8-32x.50)STRIPPER	84
REF	REF	REF	-	A		3-21000-7	SCR, SHC (10-32x.75)FEED ROD GD	83
REF	REF	REF	-	A		3-21000-6	SCR, SHC (10-32x.62)FD ADJ BLK	82
1	1	1	-	A		3-21000-4	SCR, SHC (10-32x.38)SG ADJ BL	81
REF	REF	REF	-	A		3-21000-4	SCR, SHC (10-32x.38)PIVOT BLK	80
-	REF	-	-	B		455749-1	GUARD, WINDOW	79
REF	-	-	-	B		679532-1	INSERT, GUARD	78
-	1	-	-	C		1-465184-0	LUBRICATOR ASSY	77
								76
								75
								74
								73
								72
								71

QTY	REF	REF	REF	U/M	DWG SIZE	PART NO	DESCRIPTION	ITEM NO
1	1	1	-	C		1-21002-7	SCR, BHC (6-32x.38)CAM	91
1	1	-	-	A		7-21000-9	SCR, SHC (4-40x.19)STRIPPER	89
2	2	2	-	A		1-21000-8	SCR, SHC (6-32x.25)R SHEAR PLATE	88
2	2	2	-	A		3-21000-0	SCR, SHC (8-32x.88)DEP-HOLD	87
1	1	1	-	A		2-22603-0	SCR, HEX HD (8-32x.31)FEED FINGER	86
2	2	2	-	A		1-21000-3	SCR, SHC (4-40x.25)F ST GUIDE	85
1	1	1	-	A		2-21000-7	SCR, SHC (8-32x.50)STRIPPER	84
REF	REF	REF	-	A		3-21000-7	SCR, SHC (10-32x.75)FEED ROD GD	83
REF	REF	REF	-	A		3-21000-6	SCR, SHC (10-32x.62)FD ADJ BLK	82
1	1	1	-	A		3-21000-4	SCR, SHC (10-32x.38)SG ADJ BL	81
REF	REF	REF	-	A		3-21000-4	SCR, SHC (10-32x.38)PIVOT BLK	80
-	REF	-	-	B		455749-1	GUARD, WINDOW	79
REF	-	-	-	B		679532-1	INSERT, GUARD	78
-	1	-	-	C		1-465184-0	LUBRICATOR ASSY	77
								76
								75
								74
								73
								72
								71

LEADMAKER		MECH POST FEED				
BENCH MODEL	K	MECH PRE FEED				
BENCH MODEL	G	MECH PRE FEED				
REF	REF	REF	B	22594-8	NUT, HEX (1/2-20)	70
REF	REF	REF	B	240628-1	PLATE, ADJUSTMENT	69
REF	REF	REF	B	240626-1	SHAFT, PIVOT	68
REF	REF	REF	B	240633-1	BUSHING	67
REF	REF	REF	A	455680-1	LEVER, INTERMEDIATE	66
REF	REF	REF	B	240629-1	BLOCK, PIVOT	65
REF	REF	REF	A	240632-2	SCREW, ADJ FEED ROD	64
REF	REF	REF	B	240659-3	PIN, CAM ROLLER	63
REF	REF	REF	B	240658-1	ROLLER, CAM	62
REF	REF	REF	B	454398-2	ROD, FEED	61
REF	REF	REF	A	454178-1	GUIDE, FEED ROD	60
REF	REF	REF	C	454220-1	CAP, RAM	59
REF	REF	REF	D	454485-1	HOUSING	58
						57
1	1	1	B	690542-3	PAWL, FEED	56
REF	REF	REF	B	240624-1	PIN, FEED FINGER	55
REF	REF	REF	B	691499-1	SPRING, FEED FINGER	54
REF	REF	REF	B	690541-1	HOLDER, FEED FINGER	53
REF	REF	REF	A	455679-1	LEVER, TERMINAL FEED ARM	52
						51
						50
1	-	-	B	690602-6	CAM, PRE-FEED 1 5/8 ST	49
-	1	-	B	690602-5	CAM, PRE-FEED 1 1/8 ST	48
-	-	1	B	690501-4	CAM, POST-FEED 1 5/8 ST	47
1	1	1	B	459456-1	APPLICATOR, BASIC (SUBASSY)	46
1	1	1	A	690191-1	PLUG, NYLON	45
1	1	1	C	455673-1	RAM	44
1	1	1	A	690125-1	WASHER, LAMINATED	43
1	1	1	A	1-690124-0	WASHER, RAM	42
1	1	1	A	7-21002-9	BOLT, CRIMPER (5/16x1.00)	41
						40
						39
1	1	1	A	690223-2	SPACER, INSULATION DISC	38
1	1	1	D	354777-1	WIRE DISC, PLASTIC	37
1	1	1	A	22480-5	WASHER, SPRING	36
1	1	1	B	690212-1	POST, RAM	35
						34
REF	REF	REF	D	455675-1	PLATE, BASE	33
1	1	1	A	690432-3	SCREW, ADJUSTMENT	32
						31
REF	REF	REF	B	455689-1	BLOCK, STRIP GUIDE ADJ	30
1	1	1	C	455671-1	PLATE, STRIP GUIDE	29
						28
2	2	2	A	1-22284-0	SPRING, DRAG	27
1	1	1	B	690546-1	LEVER, DRAG RELEASE	26
1	1	1	B	240792-5	DRAG, TERMINAL	25
1	1	1	D	2-690504-8	GUIDE, STRIP (REAR)	24
1	1	1	A	693855-1	GUIDE, STRIP (FRONT)	23
-	-	1	B	690472-1	STRIPPER	22
REF	REF	REF	A	4-22284-9	SPRING, FEED RETURN	21
1	1	-	A	679218-1	STRIPPER WIRE STOP ASSY	20
1	1	-	B	458949-1	STRIPPER	19
1	1	1	B	690461-1	STOP, SHEAR, REAR	18
1	1	1	A	691668-1	GUARD, CHIP (REAR)	17
1	1	1	B	691667-1	GUARD, CHIP (FRONT)	16
1	1	1	B	69		