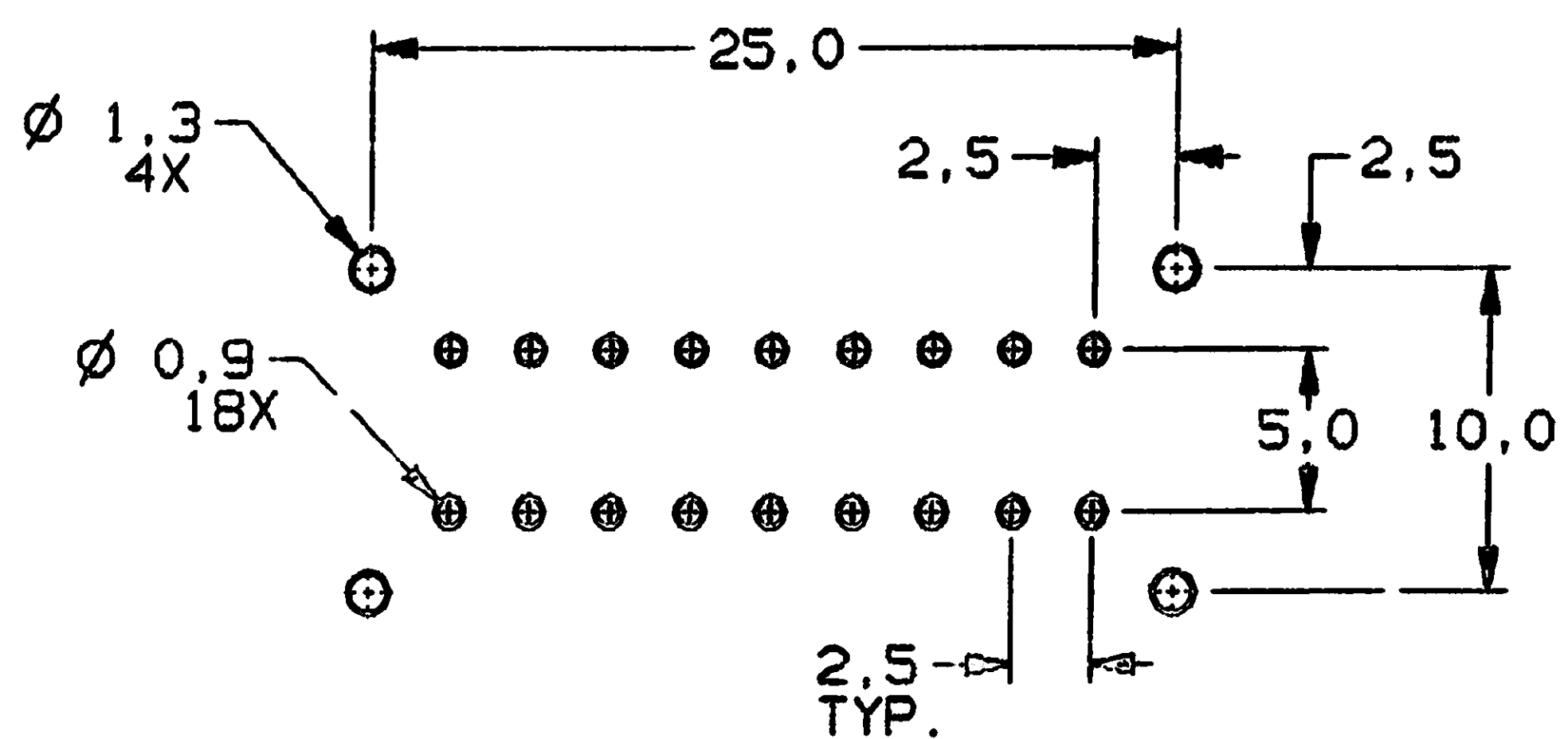
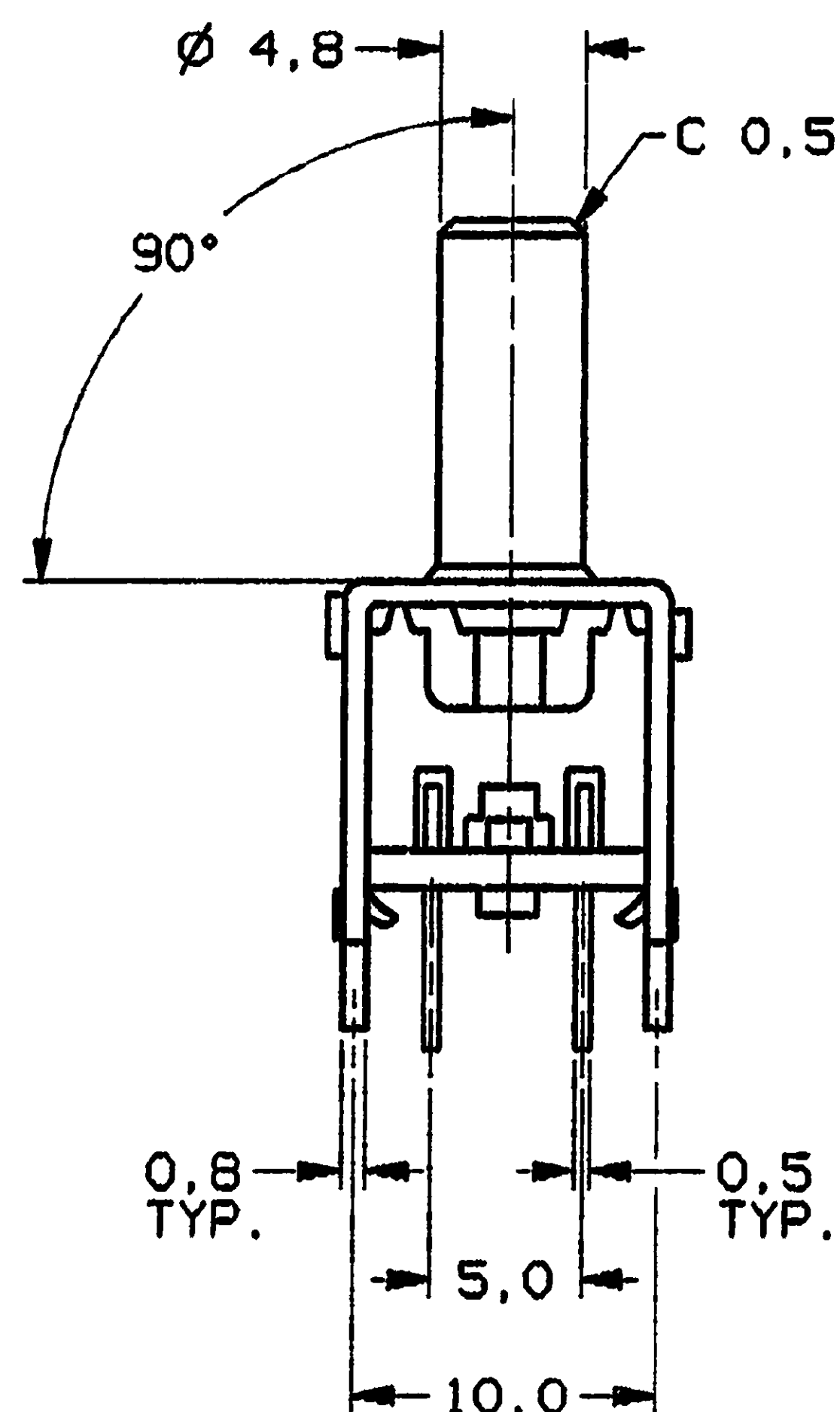
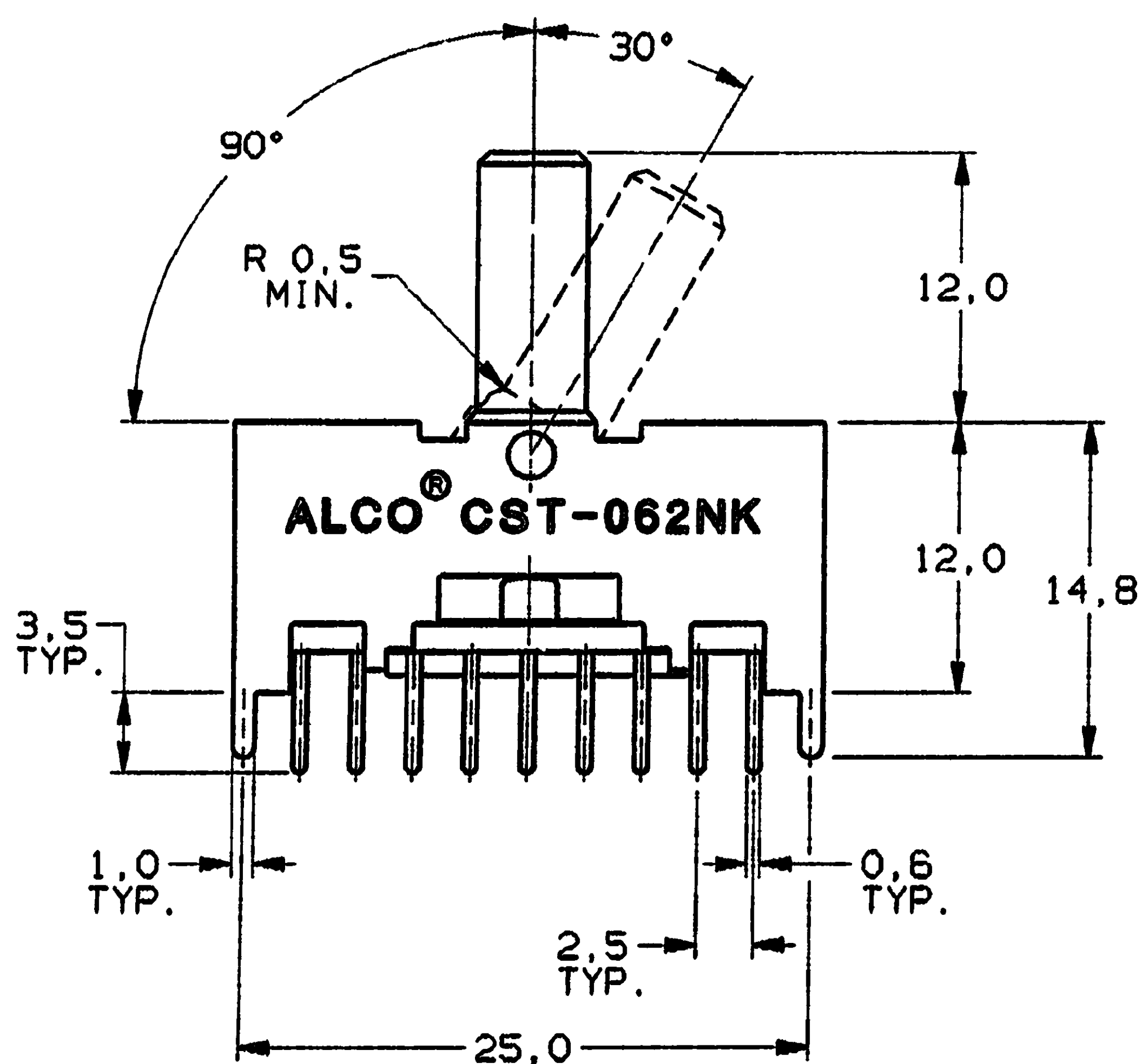
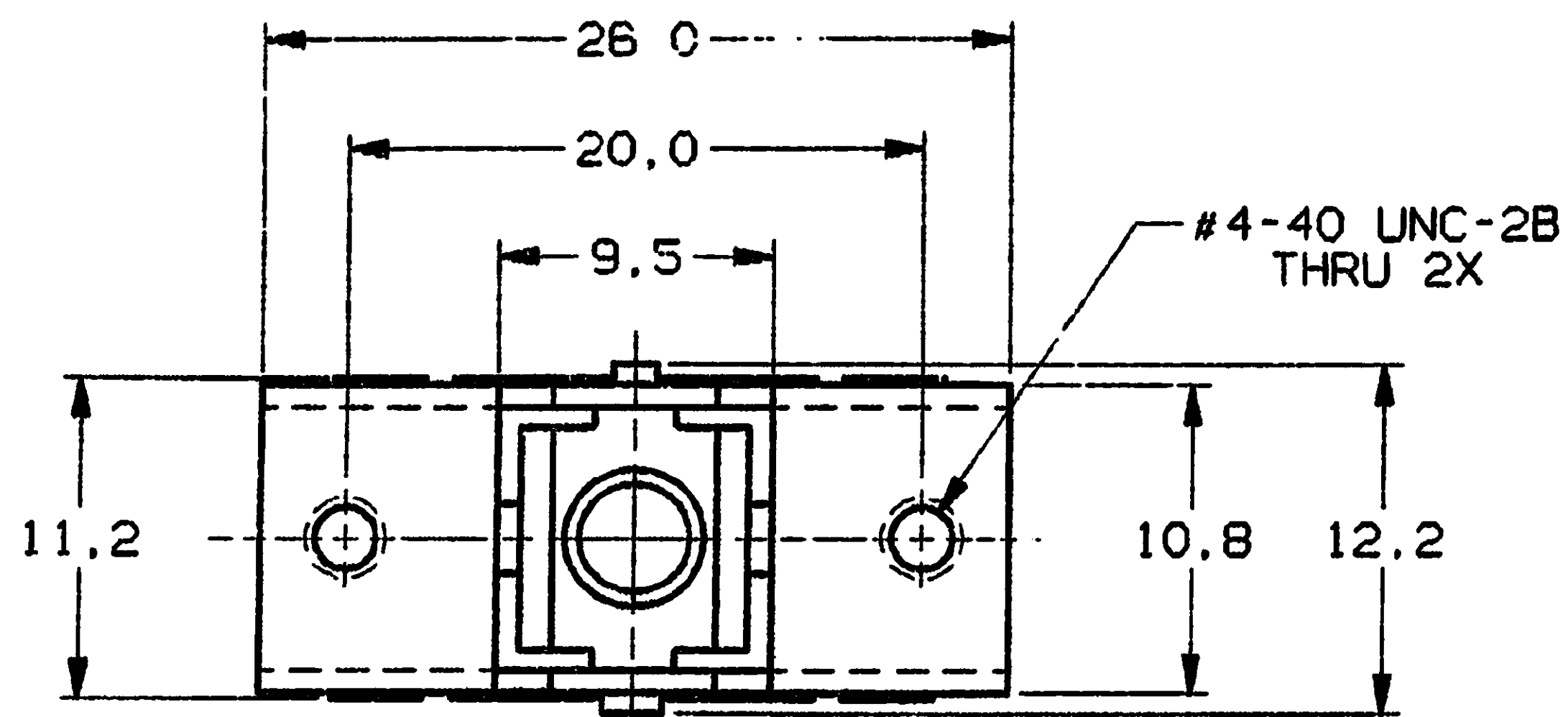
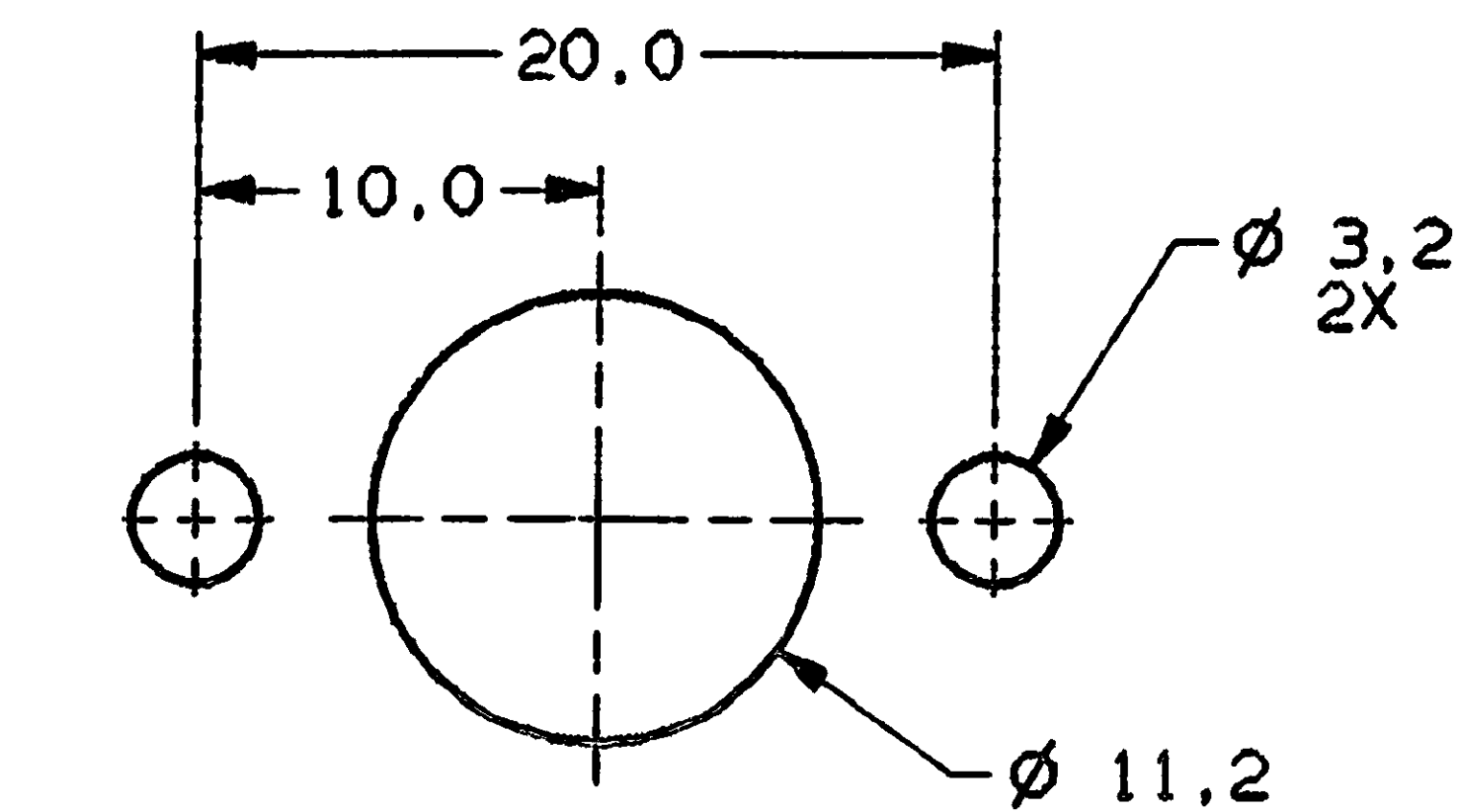


CONVERSION CHART	
MM	INCH
0.05	.002
0.12	.005
0.25	.010
0.45	.018
0.5	.020
0.6	.024
0.8	.031
0.9	.034
1.0	.039
1.3	.051
2.5	.098
3.2	.125
3.5	.138
4.8	.189
5.0	.197
9.0	.354
9.5	.374
10.0	.394
10.8	.425
11.2	.440
12.0	.472
12.2	.480
14.8	.582
20.0	.787
25.0	.984
26.0	1.024



PC HOLE LAYOUT (TOP VIEW)
RECOMMENDED TOLERANCES ±0.05



SUGGESTED PANEL CUTOUT
RECOMMENDED TOLERANCES ±0.12

SPECIFICATIONS:

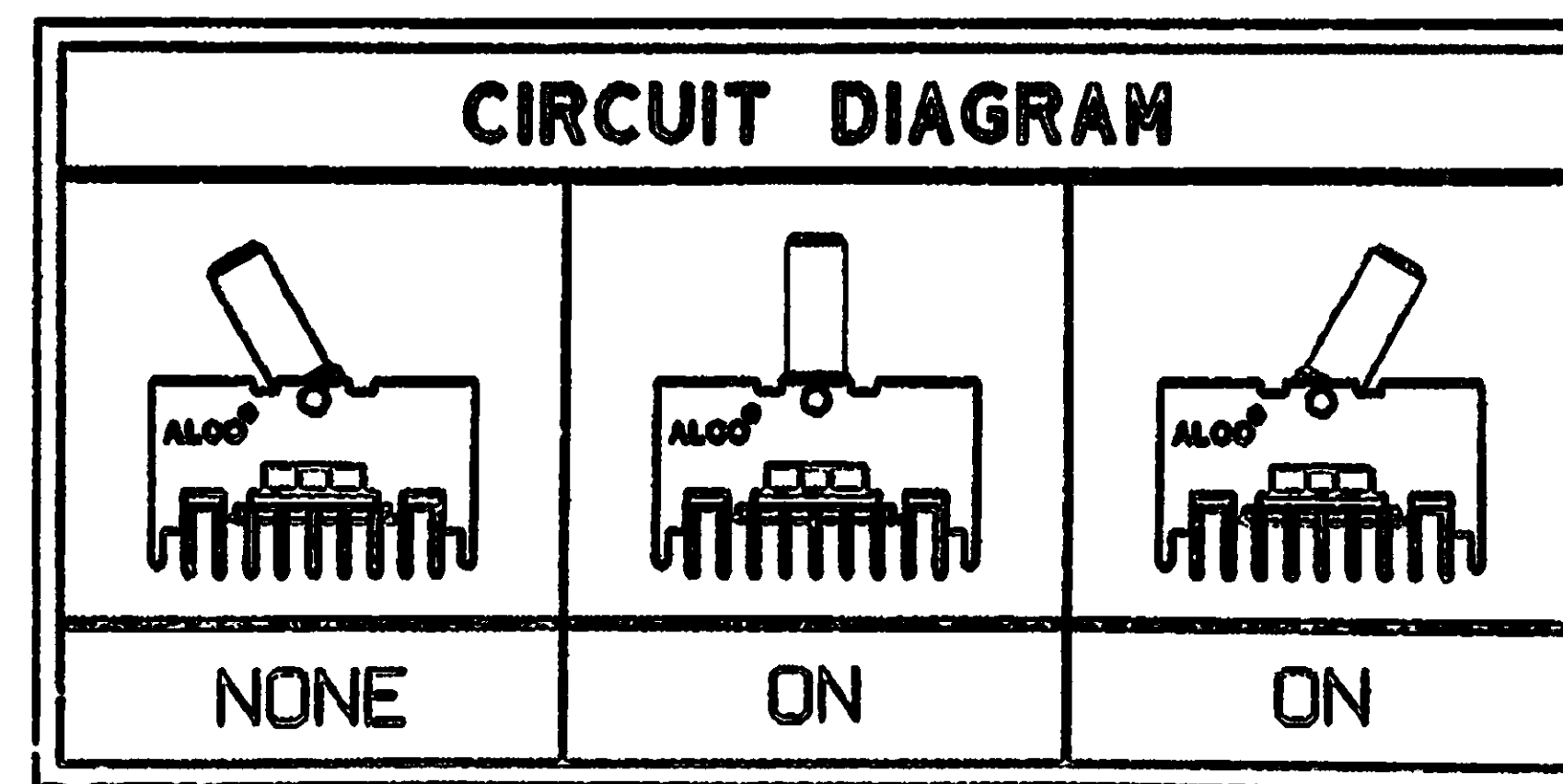
MATERIALS:
 FRAME: STEEL, TIN-PLATED.
 SLIDER: POLYCARBONATE.
 LEVER: POLYESTER.
 TERMINAL BOARD: PHENOLIC.
 FIXED CONTACT/TERMINAL: COPPER ALLOY, SILVER PLATE OVER NICKEL UNDERPLATE.
 MOVING CONTACT: COPPER ALLOY, SILVER CLAD OVER NICKEL FLASH.
 PRESSURE FINGER: POLYACETAL.
 PIN: STEEL.
 SPRING: STAINLESS STEEL.
 FIXING POSITION: POLYESTER.
 CAP: ALUMINUM.
 TERMINAL SEAL: EPOXY.

ELECTRICAL:
 CONTACT RATING: 0.3A @ 125 VAC (50-60 HZ).
 0.2A @ 12 VDC.
 INITIAL CONTACT RESISTANCE: 30 MILLIOHMS MAX.
 INSULATION RESISTANCE: 100 MEGOHMS MIN. @ 500 VDC.
 DIELECTRIC STRENGTH: 500 VAC FOR 1 MINUTE.
 LIFE EXPECTANCY: 10,000 CYCLES.
 CONTACT TIMING: NON-SHORTING.

MECHANICAL:
 ACTUATION FORCE: 450 ±250 GRAMS.
 ACTUATION TRAVEL: 30°

ENVIRONMENTAL:
 OPERATING TEMPERATURE: -15°C TO +55°C, (+5°F TO +131°F).
 STORAGE TEMPERATURE: -20°C TO +60°C, (-4°F TO +140°F).

NOTES: UNLESS OTHERWISE SPECIFIED
 1. INTERPRET DRAWING PER ANSI Y14.5M 1982.



REV	DATE	DESCRIPTION
0	1-17-97	INITIAL RELEASE
1	1-21-97	ESR/AT/SSS
2	1-21-97	C. THEODORE
3	1-21-97	APP'D: [Signature]

OUTLINE DRAWING			
SPECIFICATIONS ARE SUBJECT TO CHANGES WITHOUT NOTICE			
 THIRD ANGLE PROJECTION	UNLESS OTHERWISE SPECIFIED DIMENSIONS ARE IN MILLIMETERS. DO NOT SCALE DRAWING.	ORIGINAL DATE OF DRAWING: 1-17-97	 452 JOHN DIETZ LVD. ATLEBORO FALLS, MASS. 02783 IN.
	TOLERANCES (EXCEPT AS NOTED): ANGULAR = ±1° DECIMAL = ±0.25	FILE NAME: 91506 MATERIAL: SEE SPECIFICATIONS	
AUGAT CONFIDENTIAL This document contains information which is the exclusive property of Augat Inc. Distribution, reproduction or use by others is not permitted without the expressed written consent of Augat Inc.		TITLE: OUTLINE DRAWING TOGGLE SWITCH, CST062NK 6P2T, PC TERMINALS	
		DWG. NO.: 81002	REV. 0
		PRODUCT CODE:	SHEET 1 OF 1