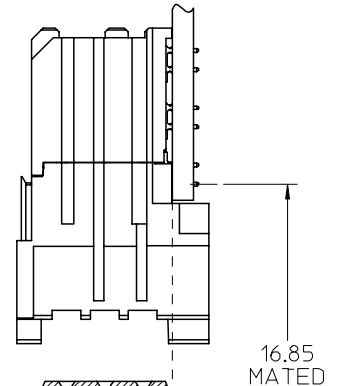
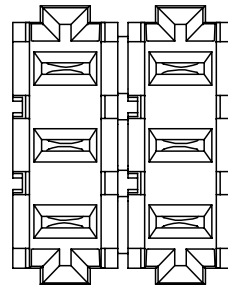
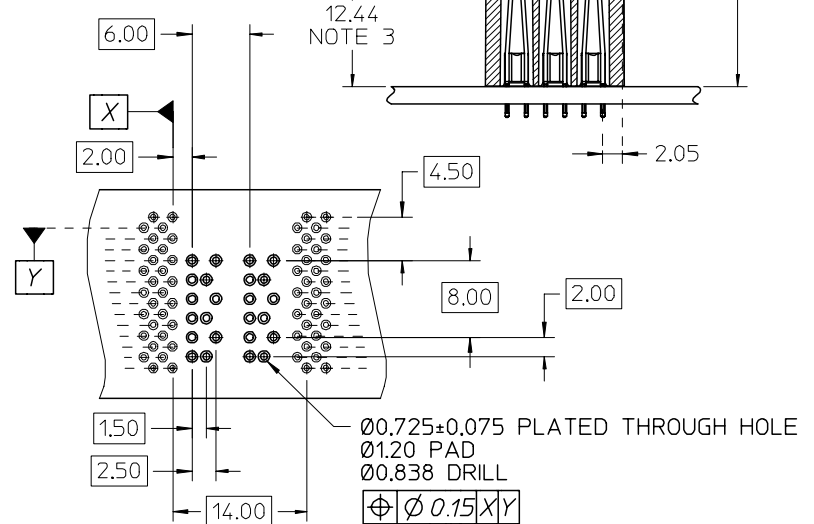
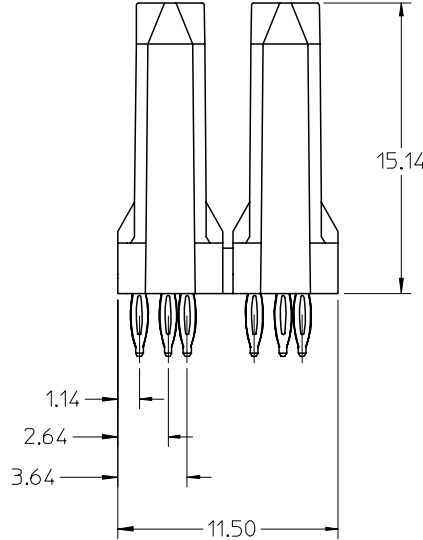
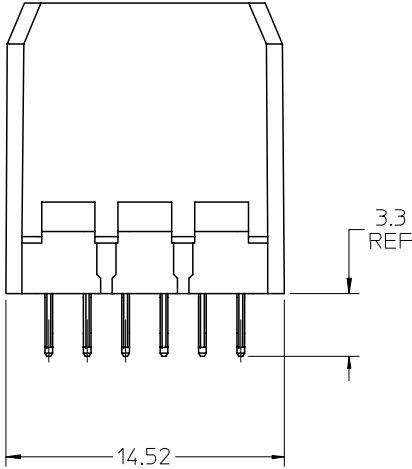


NOTES:

1. MATERIALS:
HOUSING - LIQUID CRYSTAL POLYMER (LCP)
UL94-V0, BLACK
TERMINAL - HIGH PERFORMANCE COPPER ALLOY
2. THIS PART CONFORMS TO MOLEX PRODUCT SPECIFICATION PS-74031-999.
3. DIMENSION IS THE MAXIMUM DISTANCE FROM BOTTOM OF HOUSING TO THE MATING POINT.
4. PACKAGED PER PK-70873-0876.
5. MINIMUM BOARD THICKNESS IS 1.8mm.
6. PART WILL BE LASER MARKED WITH P/N AND DATE CODE.



16.85 MATED



Ø0.725±0.075 PLATED THROUGH HOLE
Ø1.20 PAD
Ø0.838 DRILL
⊕ Ø0.15XY

ASSEMBLY P/N	PLATING THICKNESS (MATING SURFACE)
74029-80*2	
-8002	30 µin Au
-8052	50 µin Au

INITIAL RELEASE EC NO: UCP2005-0978 DRWN: CBIXLER 2004/12/01 CHKD: SREED 2004/12/06 APPR: SREED 2004/12/06	DESCRIPTION REV: A	QUALITY SYMBOLS	GENERAL TOLERANCES (UNLESS SPECIFIED)	SCALE 4:1	DESIGN UNITS METRIC	THIRD ANGLE PROJECTION	REVISE ON CAD ONLY
		▽ = 0 ∇ = 0	4 PLACES ± --- ± --- 3 PLACES ± --- ± --- 2 PLACES ± --- ± --- 1 PLACE ± --- ± --- ANGULAR ± 5 °	DIMENSION STYLE MM ONLY	TITLE VHM 8 ROW DUAL POWER BACKPLANE ASSEMBLY		
		DRAFT WHERE APPLICABLE	MUST REMAIN WITHIN DIMENSIONS	DRAWN BY: JJONIAK CHECKED BY: SREED APPROVED BY: SREED	DATE: 2004/11/07 DATE: 2004/11/07 DATE: 2004/11/07	MATERIAL NO.: SEE CHART DOCUMENT NO.: SD-74029-802	SHEET NO.: 1 OF 1
		THIS DRAWING CONTAINS INFORMATION THAT IS PROPRIETARY TO MOLEX INCORPORATED AND SHOULD NOT BE USED WITHOUT WRITTEN PERMISSION					