

PACKAGING VERSION A

ILLUSTRATION	DESCRIPTION	NUMBER OF BAG A	PARTS PER BAG	PARTS PER CARTON	TOOLED
	ASSEMBLY HOUSING 95043-280X	1	1000	1000	YES
	SHIELD FOR ROUND CABLE 95042-488X	1	1000	1000	YES
	COVER 95115-088X	1	1000	1000	YES

NOTE: EMPTY BAG A (220 x 310 x 0.05) REF 85999-2318
CARTON 96707 0001

PACKAGING VERSION B

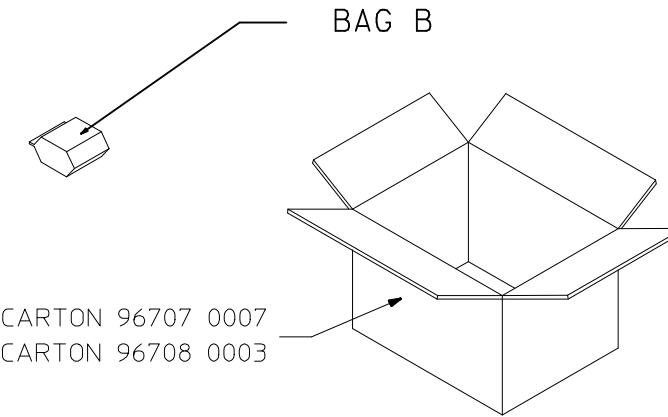
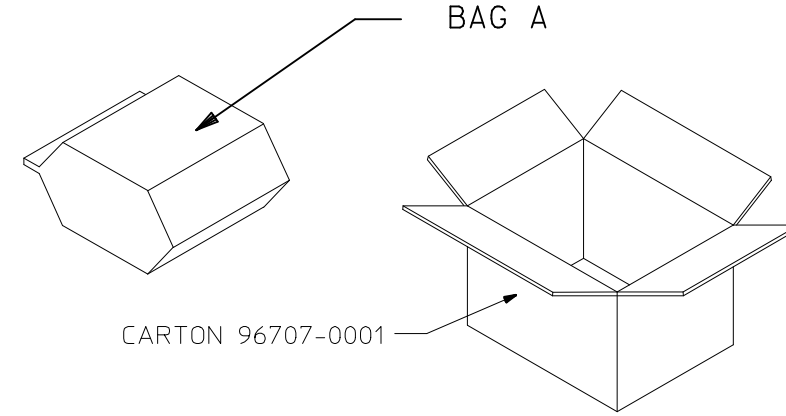
ILLUSTRATION	DESCRIPTION	NUMBER OF BAG B	PARTS PER BAG	PARTS PER CARTON	TOOLED
	ASSEMBLY HOUSING 95043-280X	1	5	1000	YES
	SHIELD FOR ROUND CABLE 95042-488X	1	5	1000	YES
	COVER 95115-088X	1	5	1000	YES

NOTE: EMPTY BAG B (100 x 160) REF 91687 0026
CARTON 96707 0007

PACKAGING VERSION C

ILLUSTRATION	DESCRIPTION	NUMBER OF BAG B	PARTS PER BAG B	QTY BAGS PER CARTON	TOOLED
	ASSEMBLY HOUSING 95043-280X	1	1	1000	YES
	SHIELD FOR ROUND CABLE 95042-488X		1		YES
	COVER 95115-088X		1		YES

NOTE: EMPTY BAG B (100 x 160) REF 91687 0026
EACH BAG TO CONTAIN 1 OF EACH ITEM
CARTON 96708 0003



ADDED VERSION C EC NO: E2009-0512 DRWN: DCARTON CHKD: APPR: J WALLACE	2009/04/17 2009/04/17 2009/04/17	DESCRIPTION REV	QUALITY SYMBOLS	GENERAL TOLERANCES (UNLESS SPECIFIED) mm INCH 4 PLACES ± --- ± --- 3 PLACES ± --- ± --- 2 PLACES ± --- ± --- 1 PLACE ± --- ± --- ANGULAR ± 2 ° DRAFT WHERE APPLICABLE MUST REMAIN WITHIN DIMENSIONS	DIMENSION STYLE MM ONLY	SCALE 1:1	DESIGN UNITS METRIC	THIRD ANGLE PROJECTION
			▽=0 ▽=0		DRAWN BY: GP DATE: 1992/11/03 CHECKED BY: FB DATE: 1992/11/03 APPROVED BY: JB DATE: 1992/11/03	TITLE PACKAGING SPECIFICATION FOR PLUG 95043 LOOSE VERSION PACKAGING		
			MATERIAL NO.		MOLEX INCORPORATED	DOCUMENT NO. PK-95043	SHEET NO. 1 OF 1	
			SIZE A3 THIS DRAWING CONTAINS INFORMATION THAT IS PROPRIETARY TO MOLEX INCORPORATED AND SHOULD NOT BE USED WITHOUT WRITTEN PERMISSION					