
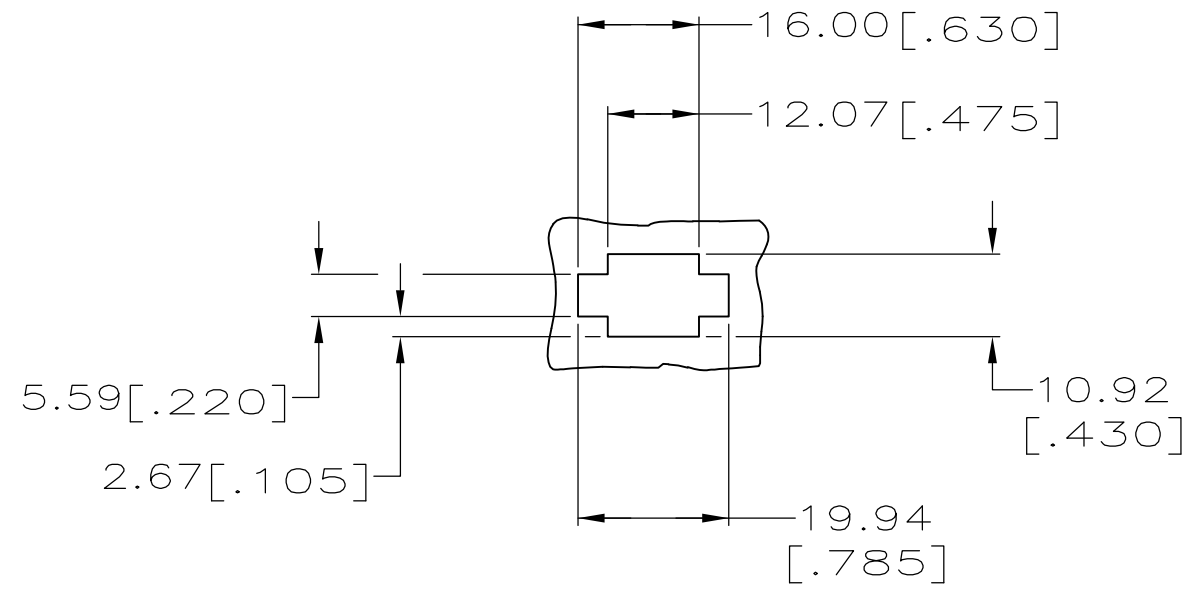
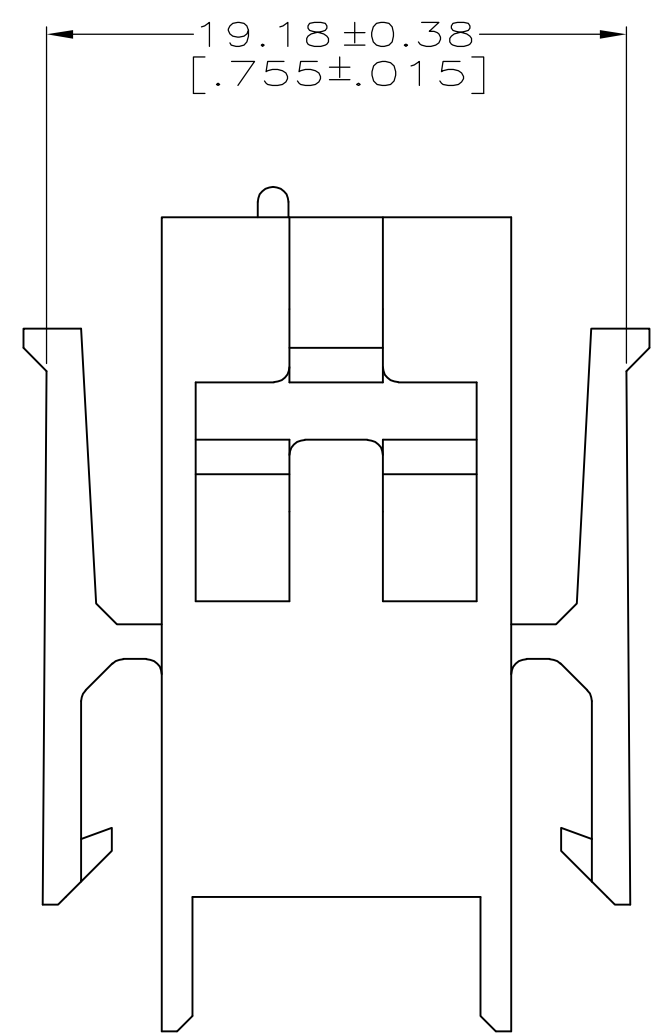
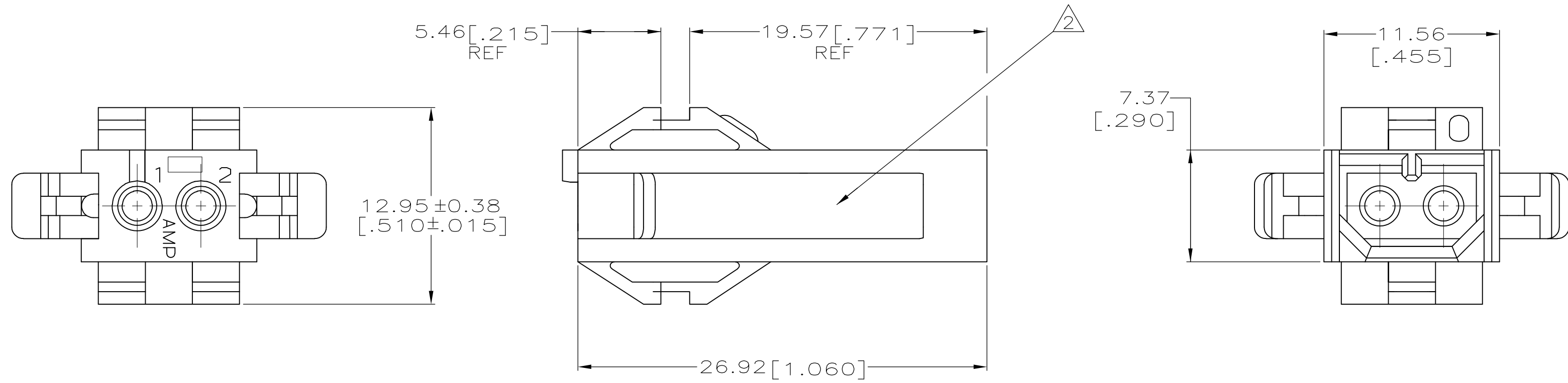


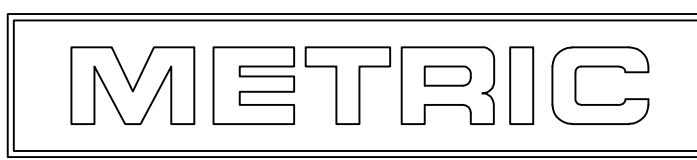
THIS DRAWING IS UNPUBLISHED. RELEASED FOR PUBLICATION
 © COPYRIGHT - By - ALL RIGHTS RESERVED.

LOC		DIST		REVISIONS			
P	LTR	DESCRIPTION		DATE	DWN	APVD	
CM	52	H1	REVISED PER ECO-11-004917		11MAR11	RK	HMR


- MATES WITH HOUSING 640517.
- 
 UL LOGO AND CSA LOGO TO APPEAR ON EITHER LATCH SURFACE PER AMP SPEC 202-20, I.D. NO. 1-18838-3 AND 1-18839-3. FROST BACKGROUND OPTIONAL.
- DIMENSIONS IN BRACKETS ARE IN INCHES.



RECOMMENDED CUT OUT
 FOR 1.73 [.068] MAX THICK PANEL
 SCALE 1:1



1-640507-0
 PART NUMBER

THIS DRAWING IS A CONTROLLED DOCUMENT.		DWN	R. VESTAL	7-12-96	 TE Connectivity			
DIMENSIONS: mm [INCHES]		CHK	R. SWING	7-12-96				
TOLERANCES UNLESS OTHERWISE SPECIFIED:		APVD	A. BEDDICK	7-12-96	NAME			
0 PLC	± -	PRODUCT SPEC	HOUSING, CAP					
1 PLC	± -	APPLICATION SPEC	MRL					
2 PLC	± 0.13 [.005]	WEIGHT	2 POSITION					
3 PLC	± -	CUSTOMER DRAWING	SCALE	4:1	SHEET	1 OF 1	REV	H1
4 PLC	± -							
ANGLES	± 0°30'							
FINISH								
MATERIAL NYLON, UL 94V-0, NATURAL (BRICK RED)								

640507