

**Technical specification:**

|                                     |                           |
|-------------------------------------|---------------------------|
| Rated voltage:<br>IEC 61076-2-101   | 5pos<br>30 V              |
| Current rating:<br>IEC 61076-2-101  | 4 A at 40°C               |
| Insulation resistance:<br>IEC 60512 | ≥100 MΩ                   |
| Pollution degree:<br>IEC 60664-1    | 3/2                       |
| Degree of protection:<br>IEC 60529  | IP 67, in mated condition |
| Temperature range:<br>IEC 60664-1   | -30°C ... +80°C           |
| Mating cycles:<br>IEC 60512-9a      | ≥100                      |

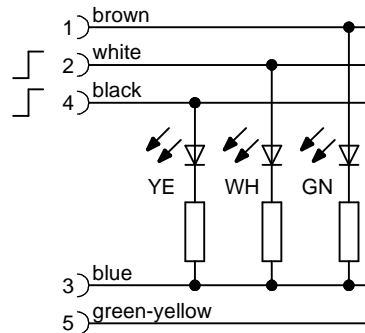
**Materials:**

|                  |                         |
|------------------|-------------------------|
| Contact:         | CuZn                    |
| Contact plating: | Nickel, gold plated     |
| Contact carrier: | TPU GF, UL 94           |
| Sealing:         | FPM                     |
| Coupling nut:    | GD-Zn, nickel plated    |
| Moulding body:   | TPU, UL 94, translucent |

**Installation specification:**

|                          |   |
|--------------------------|---|
| Recommended torque:      | 0,6 Nm  |
| Conec installation tool: | Torque wrench:<br>36-000200<br>Insert across flats 13:<br>36-000220 |

**Contact assignment:**



| Part no: | Description:                    | Length L: | Cable:   |
|----------|---------------------------------|-----------|--|
| 43-10444 | SAL - 12 - RKW5 - 3L - 2 / A1   | 2m        | PVC,<br>grey, 5x0,34mm <sup>2</sup><br>Cable: 781-A13500 |
| 43-10445 | SAL - 12 - RKW5 - 3L - 3 / A1   | 3m        |  |
| 43-10446 | SAL - 12 - RKW5 - 3L - 5 / A1   | 5m        |  |
| 43-10447 | SAL - 12 - RKW5 - 3L - 10 / A1  | 10m       |  |
| 43-xxxxx | SAL - 12 - RKW5 - 3L - ... / A1 | x         |  |

D see data sheet cable

|   |  |                |  |                                |          |
|---|--|----------------|--|--------------------------------|----------|
| DO NOT ALTER CAD DRAWING BY HAND<br>Directive 2002/95/EC RoHS compliant | Index: a 30.11.10 VF Ä3767<br>Coupling nut modified, spanner flats added,<br>data sheet modified   | dim. in mm     | <b>title:</b><br><b>Female connector M12x1 angled<br/>with LED</b> |                                |          |
|   |  |                |  | date                           | name     |
|   | tolerance of cable: L ≤ 4m: L + 40mm<br>L > 4m: L + 1%   | drawn          |  | 08.03.07                       | Burschik |
|   | general tolerance: 0 ± 0,50mm<br>0,0 ± 0,25mm<br>0,00 ± 0,10mm   | appd.          |  | 08.03.07                       | Mankopf  |
|   | THIS DRAWING MAY NOT BE COPIED OR REPRODUCED IN ANY WAY, AND<br>MAY NOT BE PASSED ON TO A THIRD PARTY WITHOUT WRITTEN PERMISSION.<br>OWNERSHIP AND COPYRIGHT OF CONEC GmbH | <b>CONEC</b> ® |  | <b>dwg no:</b><br><br>43K1A478 |          |
|   |  |                | <b>part no:</b><br><br>see table                                   |                                |          |