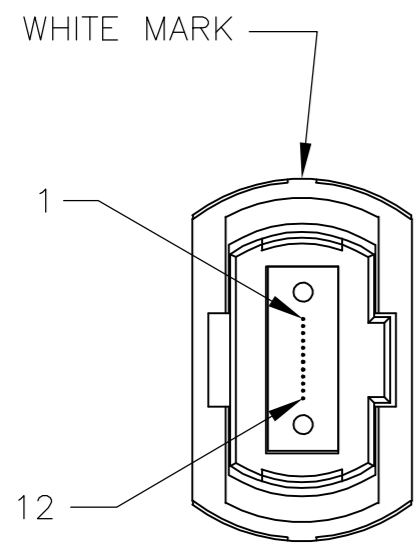
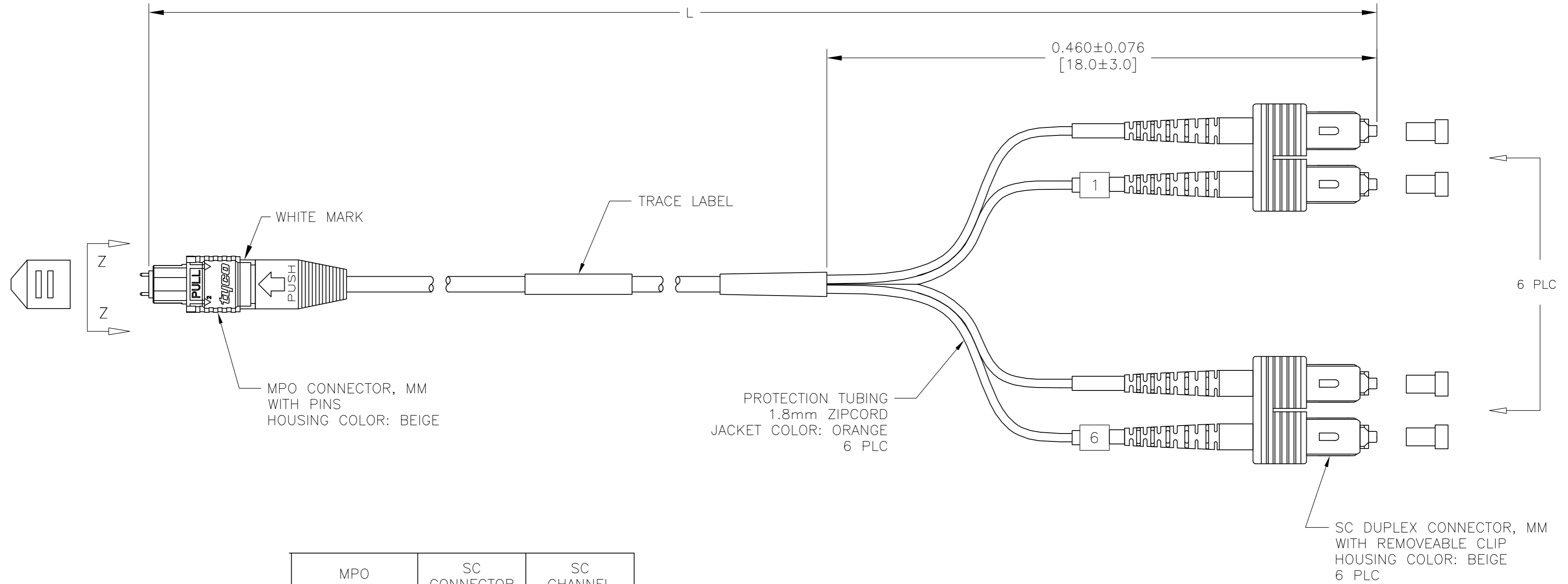


THIS DRAWING IS UNPUBLISHED. RELEASED FOR PUBLICATION  
 © COPYRIGHT BY TYCO ELECTRONICS CORPORATION. ALL RIGHTS RESERVED.

LOC	DIST	REVISIONS		
CE	16	P	LTR	DESCRIPTION
		A		RELEASED
			DATE	OWN
			20APR06	JWD
			APVD	JB

1. MAXIMUM INSERTION LOSS (1310nm):  
0.5dB MPO  
0.5dB SC
2. PRODUCT AND PROCESSING MUST MEET REQUIREMENTS OF TYCO ELECTRONICS STANDARD 230-702



MPO FIBER#	COLOR	SC CONNECTOR POSITION	SC CHANNEL NUMBER
1	BLUE	A	1
2	ORANGE	B	
3	GREEN	A	2
4	BROWN	B	
5	SLATE	A	3
6	WHITE	B	
7	RED	A	4
8	BLACK	B	
9	YELLOW	A	5
10	VIOLET	B	
11	ROSE	A	6
12	AQUA	B	

0.610+0.200/-0.0 [24.0+8.0/-0.0]	2-5492362-1
20.000+0.300/-0.0 [787.4+12.0/-0.0]	2-5492362-0
15.000+0.300/-0.0 [590.6+12.0/-0.0]	1-5492362-5
10.000+0.300/-0.0 [393.7+12.0/-0.0]	1-5492362-0
8.000+0.300/-0.0 [315.0+12.0/-0.0]	5492362-8
6.000+0.300/-0.0 [236.2+12.0/-0.0]	5492362-6
L METERS [INCHES]	PART NUMBER

THIS DRAWING IS A CONTROLLED DOCUMENT.

DWN	J.W.DAVIS	20APR06		Tyco Electronics Corporation	
CHK	J. BARRY	20APR06		Harrisburg, PA 17105-3608	
APVD	F. McCORKEL	20APR06	NAME	CABLE ASSEMBLY, FIBER OPTIC, 62.5/125um, 12F JACKETED RIBBON MPO W/PINS, TO SIX SC DUPLEX	
DIMENSIONS: METERS [INCHES]			PRODUCT SPEC	SIZE	A2
TOLERANCES UNLESS OTHERWISE SPECIFIED:			APPLICATION SPEC	CAGE CODE	00779
0 PLC ± -			WEIGHT	DRAWING NO	5492362
1 PLC ± -			FINISH	SCALE	NTS
2 PLC ± -			CUSTOMER DRAWING	SHEET	1 OF 1
3 PLC ± -				REV	A
4 PLC ± -					
ANGLES ± -					