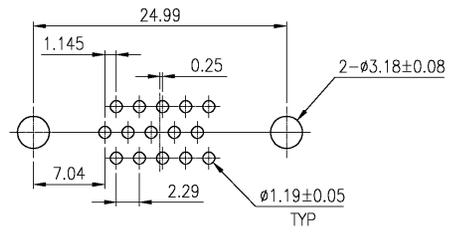
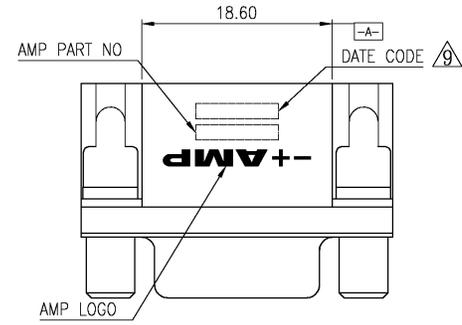
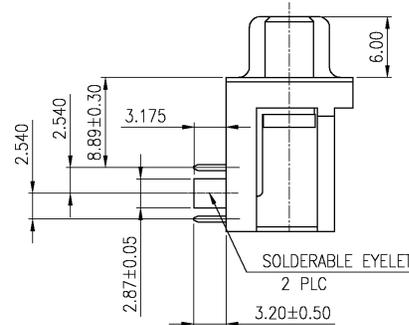
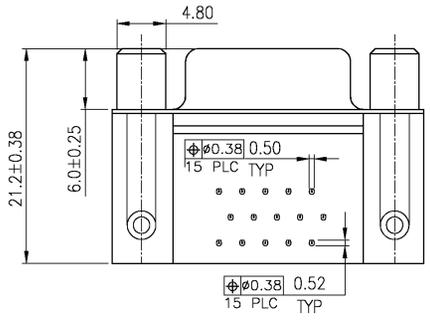
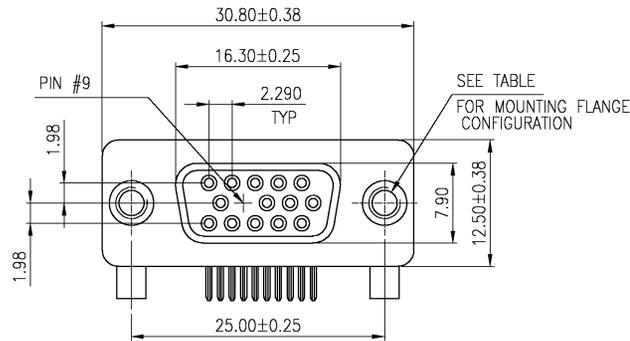


LOC		DST		REVISIONS			
P	LTR	DESCRIPTION	DATE	DWN	APVD		
GP	00	AH	REVISED PER EC 0513-0307-02	12MAR03	JG	CC	



PCB LAYOUT

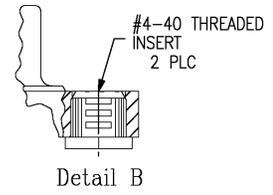
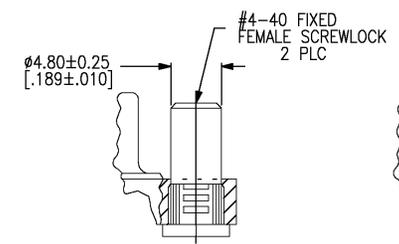


748389-4 SHOWN

MATERIAL:

- Housing: PBT, 30% G.F polyester, Black. (UL 94V-0 Rated)
 - Contact: Phos. Bronze.
 - Contact Plated: 30u"Gold Plated over 50u" Nickel underplated.
 - Solder Tail: Sn/Pb Plated 120u" over 50u" Nickel underplated.
 - Shell: Steel, Nickel Plated.
 - Boardlock: Brass, Tin or Sn/PB Plated 100u"
 - Female Screwlock: Brass, Nickel plated 30u" Min.
- ⚠ Four digit date code in this format.

Year 01 45 Manufacturing Week



Detail A

Detail B

Yes	No	Tray	Detail B	Gold flash	3-748389-7
Yes	No	Tray	Detail B	15 μ"	3-748389-6
No	Yes	Tray	Detail A	Gold flash	3-748389-5
No	Yes	Tray	Detail A	15 μ"	3-748389-4
Yes	No	Tray	Detail B	30 μ"	748389-7
No	Yes	Tray	Detail A	30 μ"	748389-4
Boardlock	Solderable Eyelet	Packaging	Mounting Config	Contact Finish	AMP Part NO.

DIMENSIONS:		TOLERANCES UNLESS OTHERWISE SPECIFIED:		APPROVED:		DATE:		NAME:	
MM	0 PLC	±	0.30	DRW	J. BURWELL	19JUL2002		Tyco Electronics Corporation	
	1 PLC	±	0.20	CHK	C. CASH	19JUL2002		AMPLITE HD-22, 15 POSITION RECEPTACLE, RIGHT ANGLE CAVITY #9 MOLDED	
	2 PLC	±	0.10	APVD	C. CASH	19JUL2002		RESTRICTED TO	
	3 PLC	±	0.05					SIZE DATE CODE DRAWING NO	
	4 PLC	±	0.02					A2 00779 748389	
MATERIAL		FINISH		APPLICATION SPEC		WEIGHT		CUSTOMER DRAWING	
								SCALE 2:1 SHEET 1 OF 1 REV AH	