

4

3

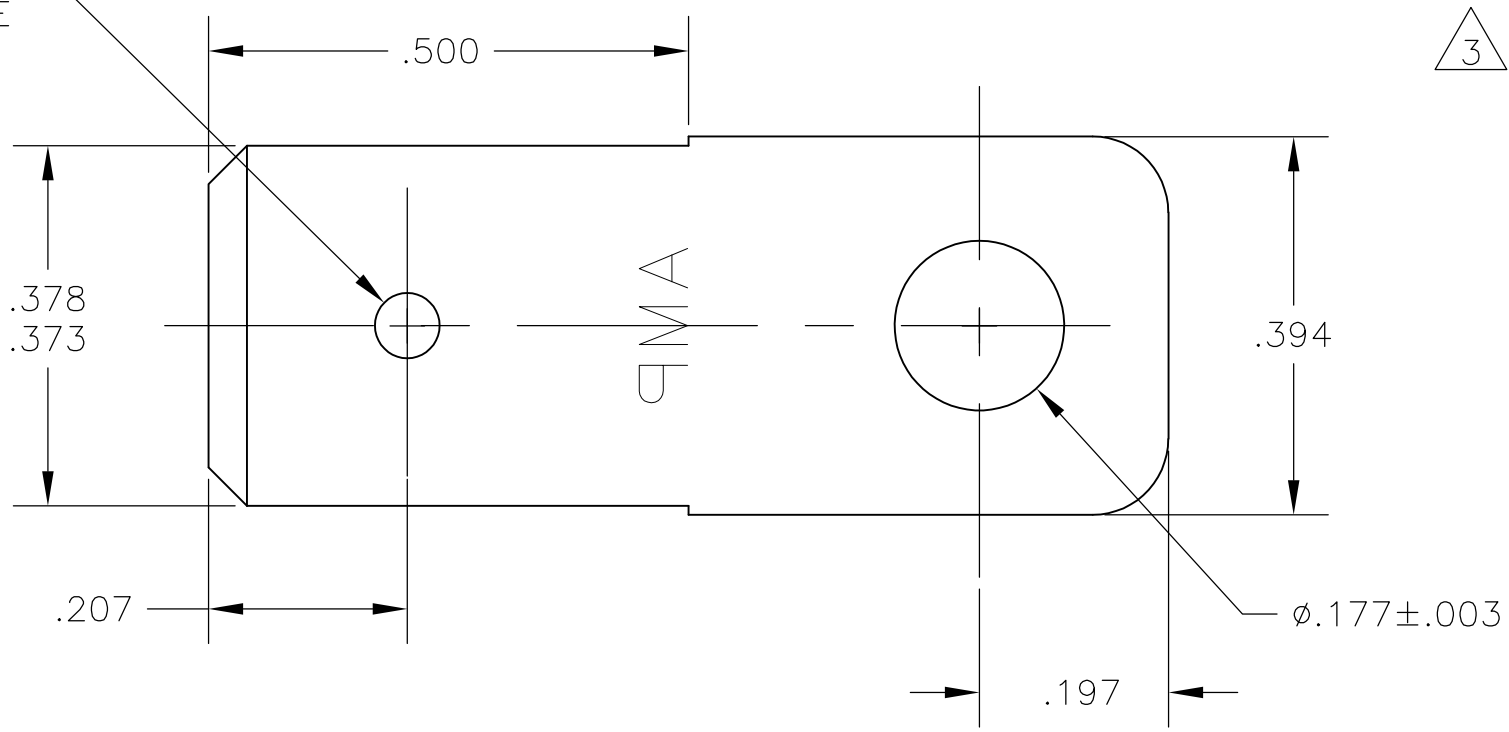
2

1

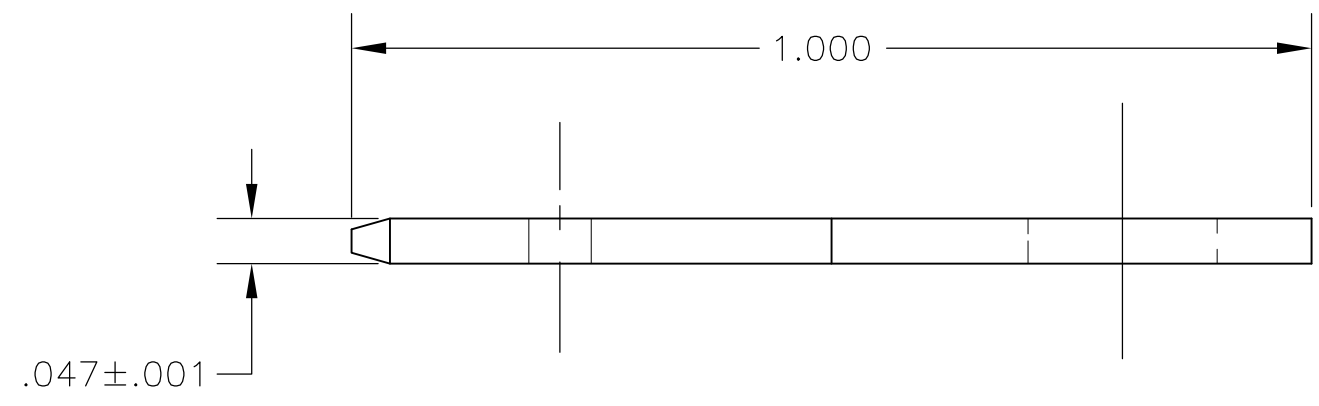
THIS DRAWING IS UNPUBLISHED. RELEASED FOR PUBLICATION  
 © COPYRIGHT - By - ALL RIGHTS RESERVED.

LOC		DIST		REVISIONS					
AF		50		P	LTR	DESCRIPTION	DATE	DWN	APVD
				A2		REVISED PER ECR-11-012842	22JUN11	HMR	PD

.080/.065  
DIA HOLE



- 1 SUPPLIED IN LOOSE PIECE
- 2 .000150 MIN TIN OVER .000050 MIN NICKEL.
- 3 MATERIAL: UNS C26000 BRASS, TEMPER 082



1742375-1  
PART NO

THIS DRAWING IS A CONTROLLED DOCUMENT.		DWN	jr_ruth	24OCT05	<b>TE Connectivity</b>			
DIMENSIONS: INCHES		CHK	K RANDOLPH	24OCT05				
		APVD	K RANDOLPH	24OCT05	PRODUCT SPEC			
TOLERANCES UNLESS OTHERWISE SPECIFIED: 0 PLC ± - 1 PLC ± - 2 PLC ± - 3 PLC ± .010 4 PLC ± - ANGLES ± 5°		APPLICATION SPEC		TAB, FASTON, .375 SERIES				
MATERIAL		FINISH		WEIGHT	SIZE	CAGE CODE	DRAWING NO	RESTRICTED TO
3		2		-	A3	00779	C-1742375	-
CUSTOMER DRAWING				SCALE	5:1	SHEET	1 OF 1	REV
								A2