

THIS DRAWING IS UNPUBLISHED.

RELEASED FOR PUBLICATION

2009

© COPYRIGHT 2009 BY -

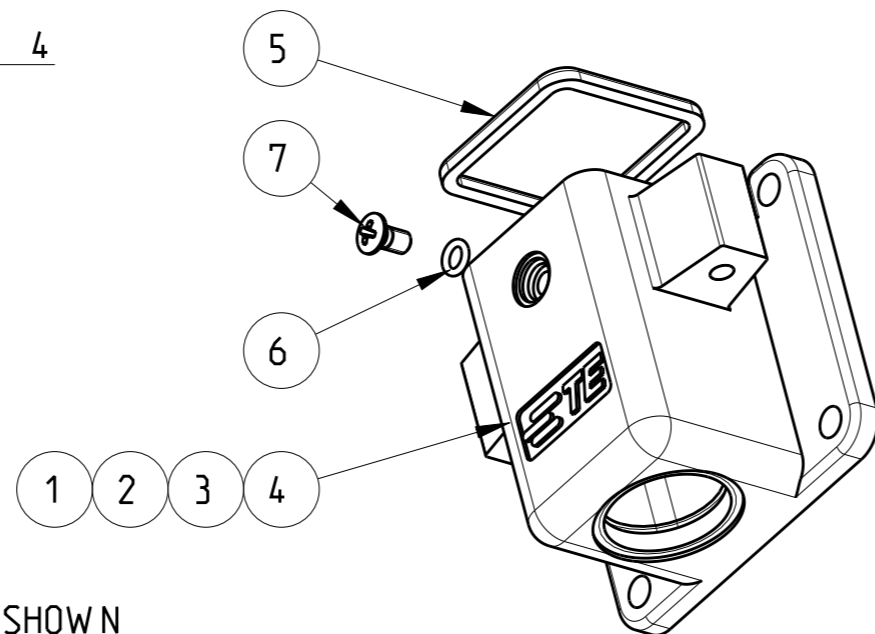
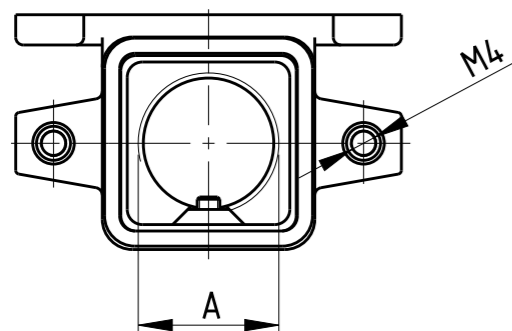
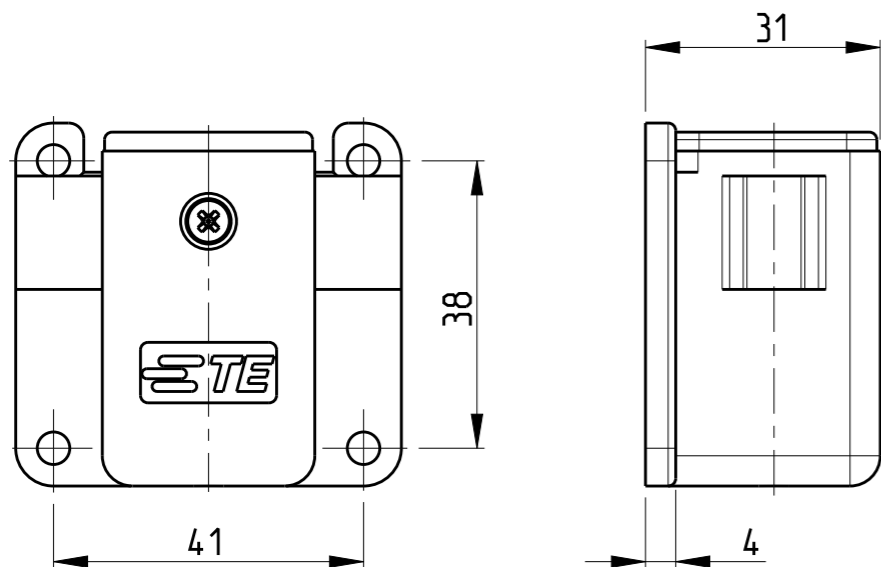
ALL RIGHTS RESERVED.

REVISIONS

P	LTR	DESCRIPTION	DATE	DWN	APVD
	A8	ECR-09-023155	22OCT2009	VG	AR
	B	ECR-16-001983	19MAY2016	GCM	JB

Notes

- 1 SUITABLE HOUSINGS: SERIES EMV, SIZE 1  
CUSTOMER DRAWING 1102700, 1106402, 1106200
- 2 STANDARDS:  
DIN EN 61984, DIN EN 60664-1
- 3 SUR TEC 650 CHROMIT AL TCP PASSIVATION
- 4 PN 0-3 AND 0-1 WITHOUT PROFILE SEAL
- 5 TOOL:  
PHILLIPS SCREWDRIVER PH1.
- 6 VARNISH ON INSIDE AREA NOT NECESSARY
- 7 PACKAGING:  
10 SETS IN A CARTON.


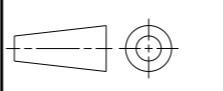


PN 3-5 AS SHOWN

0-1102701-1	EMV-K.3/4.SG.1.13.G
0-1102701-3	EMV-K.3/4.SG.1.11.G-S0
4-1102701-5	EMV-K.3/4.SG.1.11.G
3-1102701-5	EMV.3/4.SG.1.11.G
PART NO.	ORDERING TEXT

4	4			DESCRIPTION	"A"	MATERIAL	COLOR/SURFACE	NOTE	ITEM
1	1	1	1	SREW COUNTERSUNK RAISED HEAD		STAINL. STEEL V2A	-	M3x6 PH1 DIN EN ISO 7047	7
1	1	1	1	O - RING		NBR	BLACK	3.0x1.0	6
-	-	1	1	PROFILE SEAL		FKM	BLACK	SERIES EMV / HIP	5
1	-	-	-	ANGLED BULKHEAD HOUSING	PG13	ALU	BLACK SEE NOTE 3	SERIES EMV-K	4
-	1	1	-	ANGLED BULKHEAD HOUSING	PG11	ALU	BLACK SEE NOTE 3	SERIES EMV-K	2
-	-	-	1	ANGLED BULKHEAD HOUSING	PG11	ALU	GREY	SERIES EMV	1
0-1	0-3	4-5	3-5						
PN/QTY									

PARTS LIST (PER ONE UNIT)

THIS DRAWING IS A CONTROLLED DOCUMENT.		DWN V.GLUMM 26AUG2009	 <b>TE Connectivity</b>	
DIMENSIONS: mm		CHK H.Braun 26AUG2009		
TOLERANCES UNLESS OTHERWISE SPECIFIED:		APVD T.Schnurpfel 26AUG2009		
		PRODUCT SPEC		
MATERIAL		FINISH	APPLICATION SPEC	NAME ANGLED BULKHEAD HOUSING ASS'Y SIDE ENTRY, SERIES EMV, SIZE 1
			WEIGHT	SIZE A3
				CAGE CODE 00779
				DRAWING NO C-1102701
				RESTRICTED TO
				SCALE 1:1
				SHEET 1 OF 1
				REV B
				CUSTOMER DRAWING