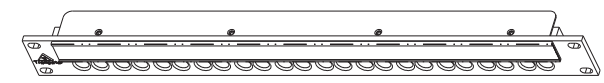
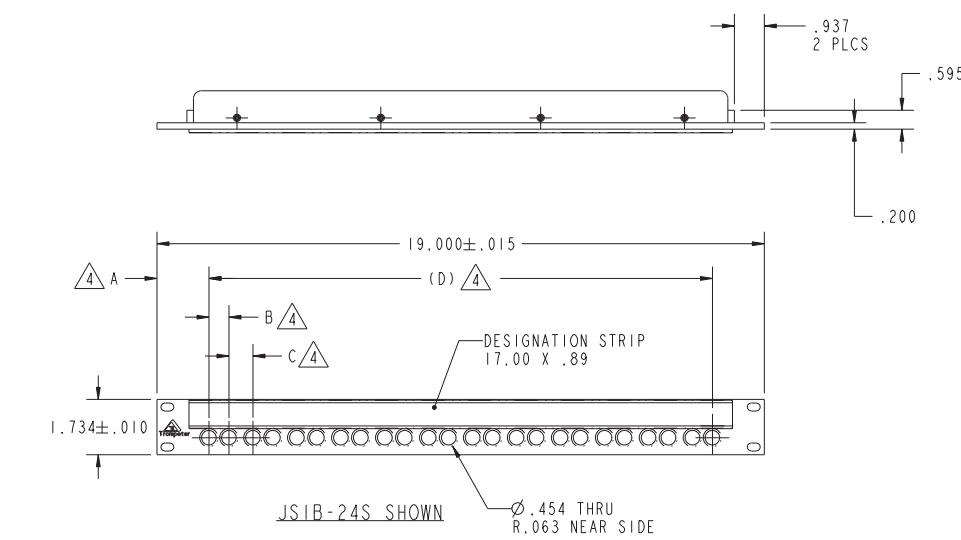
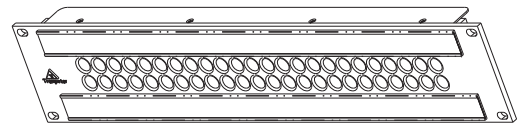
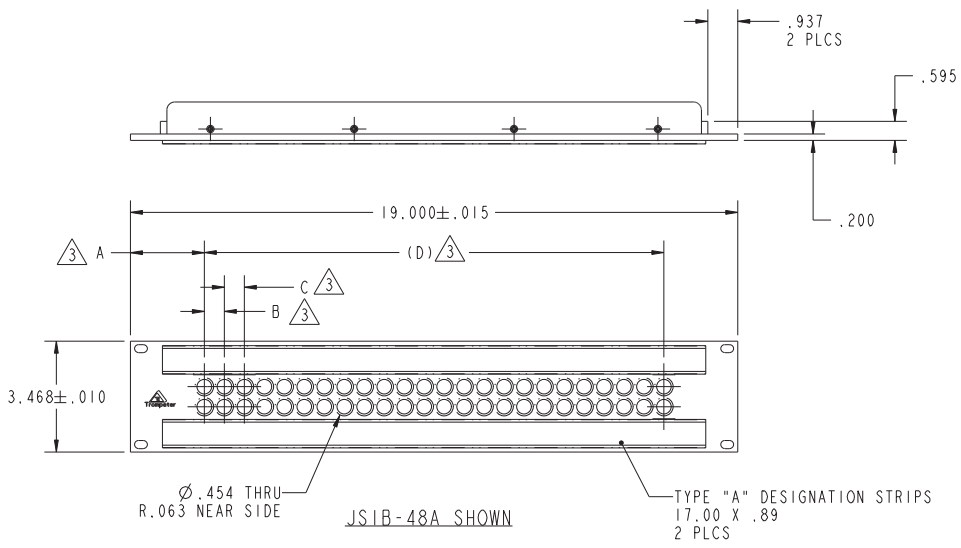


DATA CONTAINED IN THIS DOCUMENT IS PROPRIETARY TO EMERSON CONNECTIVITY SOLUTIONS AND SHALL NOT BE DISCLOSED, COPIED OR USED FOR PRODUCTION OR MANUFACTURE WITHOUT EXPRESS WRITTEN PERMISSION

| REVISIONS | | | |
|-----------|--------------|--------|----------|
| REV | DESCRIPTIONS | DATE | APPROVED |
| L | ECO 52158 | 6/3/11 | TSS |

| TABLE 1 | | | | | |
|----------|-------------|-------|-------|-------|---------|
| MODEL NO | NO OF HOLES | A DIM | B DIM | C DIM | (D) DIM |
| JSIB-24L | 24 | 1.635 | 1.430 | — | 15.730 |
| JSIB-32A | 32 | 2.000 | 1.000 | — | 15.000 |
| JSIB-40 | 40 | 1.615 | .830 | — | 15.770 |
| JSIB-48A | 48 | 2.313 | .625 | — | 14.375 |
| JSIB-48 | 48 | 1.625 | .625 | 0.750 | 15.750 |
| JSIB-52 | 52 | 1.688 | .625 | — | 15.625 |

| TABLE 2 | |
|--|--|
| STD JACKS ACCOMMODATION | |
| J24WHF, J24WTHF-75, J24W, J24WT-75, J15-N, J15W-N, J3, J3W, J3A, J3WA, J3D, J3WD, J3E-N, J3WE-N, J3C-N, J3WC-N, J5, J5W, J13-R, J13W-R, J13C-N-R, J13WC-N-R, J72, J72S-N, J72D, J14, J14W, J14C-N, J14WC-N, J14T-R, J14WT-R, J14M, J14MT-R, J14WMT-R, J14WM, J14A, J14WA, J214W/T-75 | |



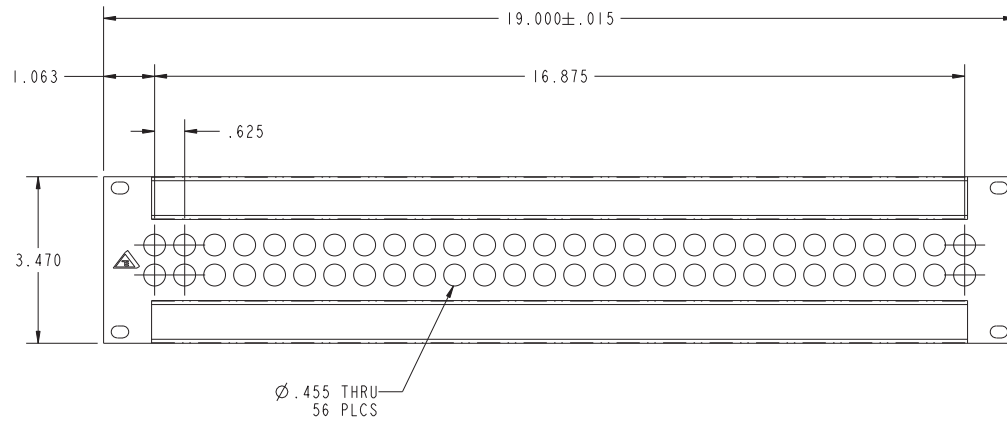
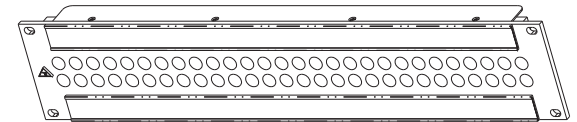
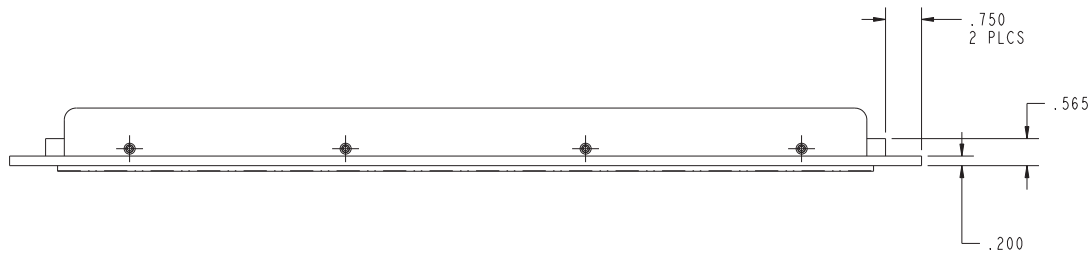
| TABLE 3 | | | | | |
|----------|-------------|-------|-------|-------|---------|
| MODEL NO | NO OF HOLES | A DIM | B DIM | C DIM | (D) DIM |
| JSIB-24S | 24 | 1.625 | .625 | .750 | 15.750 |
| JSIB-26 | 26 | 1.688 | .625 | — | 15.625 |

| TABLE 4 | |
|--|--|
| STD JACKS ACCOMMODATION | |
| J3, J3W, J3A, J3WA, J3D, J3WD, J3E-N, J3WE-N, J3C-N, J3WC-N, J5, J5W, J13-R, J13W-R, J13C-N-R, J13WC-N-R, J72, J72S-N, J72D, | |

- 4. SEE TABLE 3 FOR NUMBER OF HOLES AND SPACING
- 3. SEE TABLE 1 FOR NUMBER OF HOLES AND SPACING
- 2. PANELS PER EIA-310
- 1. MATERIAL: PANEL: BLACK ARBORON
- 5. EXAMPLE OF COMPLETE MODEL NUMBER: JSIB-48TB/J214W
- BASIC MODEL NUMBER
- NUMBER OF HOLES (SEE TABLES 1 OR 3)
- JACK TYPE ONLY IF REQUIRED (SEE TABLE 2 OR 4)
- TIE BAR (OPTIONAL)

NOTES: UNLESS OTHERWISE SPECIFIED.

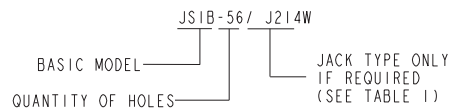
| | | | | |
|--|-----|---|------------------|---|
| I INTERPRET DRAWING PER MIL-STD-100. DIMENSIONS ARE IN INCHES AND INCLUDE FINISH THICKNESS UNLESS OTHERWISE SPECIFIED. | | TOL: UNLESS SPECIFIED: .XX ± .01 .XXX ± .003 .XXXX ± .0010 ANGLE ± 1° 00' | | <p>Cinch Connectivity Solutions 299 Johnson Ave. Ste. 100 Waseca, MN 56093 1-800-247-8256</p> |
| DRN | BPK | 6/3/11 | MATERIAL: | |
| CHK | TSS | 6/6/11 | FINISH: | TITLE: JSIB BLACK |
| MANUF | | | | |
| APPROVED | | | SIZE | CAGE CODE 14949 |
| SURFACE AREA | N/A | PROJ/FILE NO. 155-0902 | SCALE | |
| | | | DO NOT SCALE DWG | REV. L |
| | | | | DATE 1/13/97 |
| | | | | SHEET 1 OF 4 |



JS1B-56 SHOWN

| TABLE I |
|--|
| STD JACKS ACCOMMODATION |
| J24WHF, J24WTHF-75, J24W, J24WT-75, J15-N, J15W-N, J3, J3W, J3A, J3WA, J3D, J3WD, J3E-N, J3WE-N, J3C-N, J3WC-N, J5, J5W, J13-R, J13W-R, J13C-N-R, J13WC-N-R, J72, J72S-N, J72D, J14, J14W, J14C-N, J14WC-N, J14T-R, J14WT-R, J14M, J14MT-R, J14WMT-R, J14WM, J14A, J14WA, J214W/T-75 |

3. EXAMPLE OF COMPLETE MODEL NUMBER:



2. PANELS PER EIA-310

☐ MATERIAL: PANEL: BLACK ARBORON

NOTES: UNLESS OTHERWISE SPECIFIED.