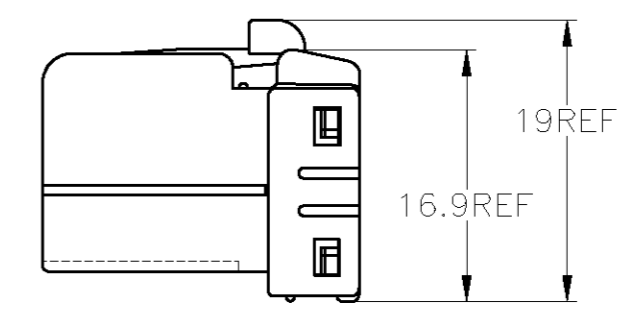
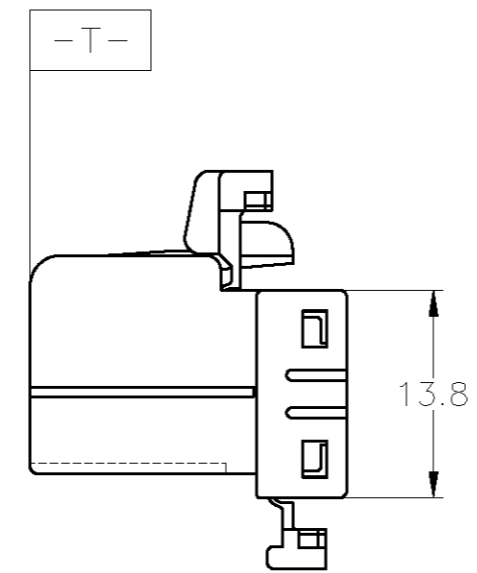
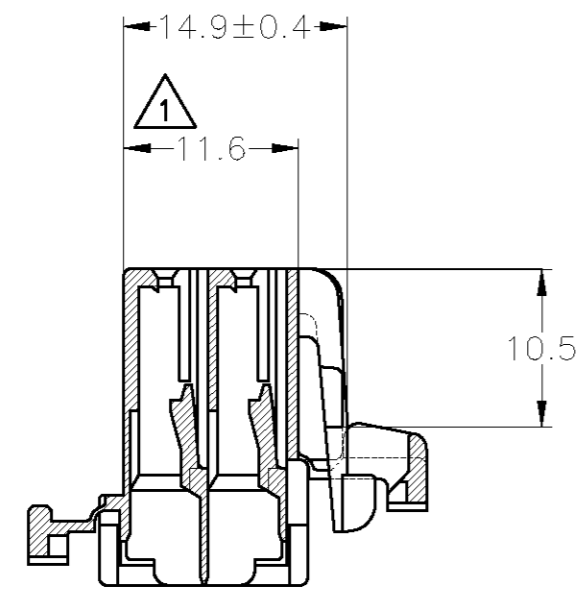
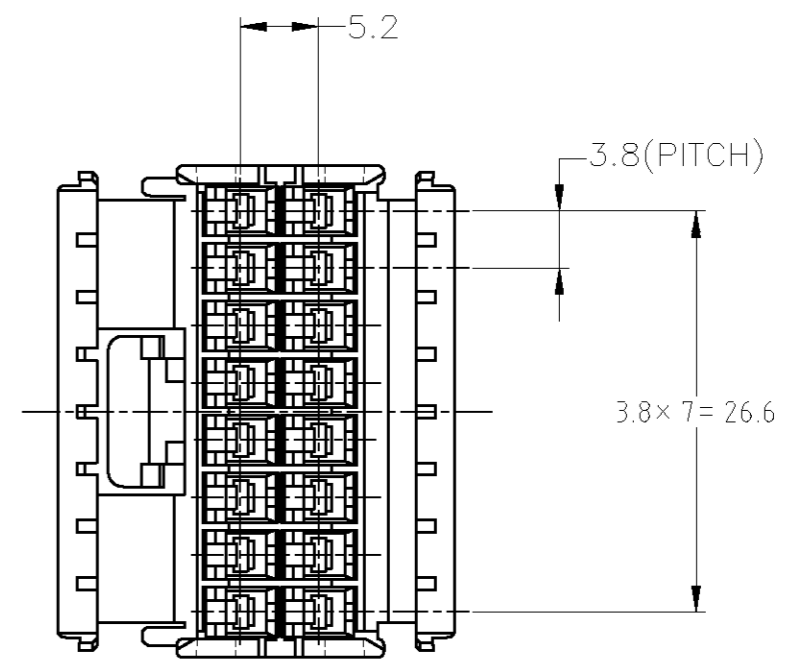
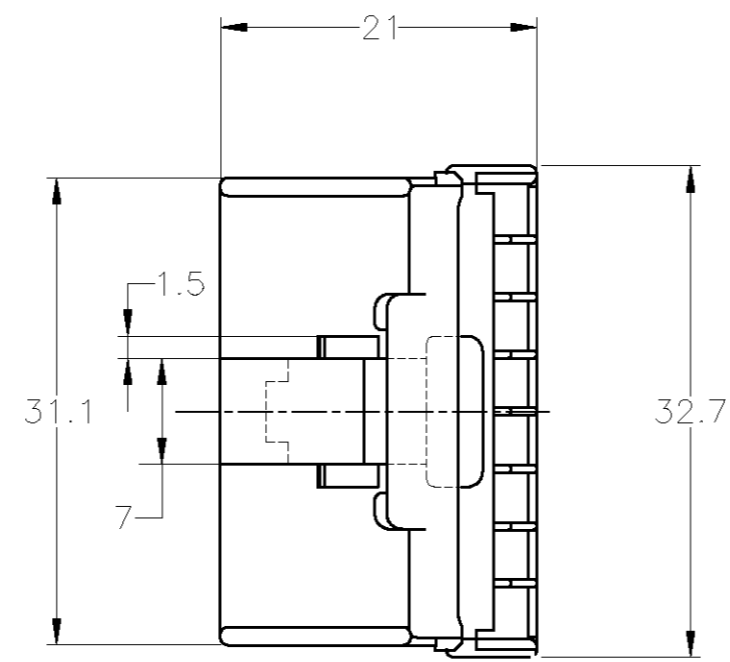
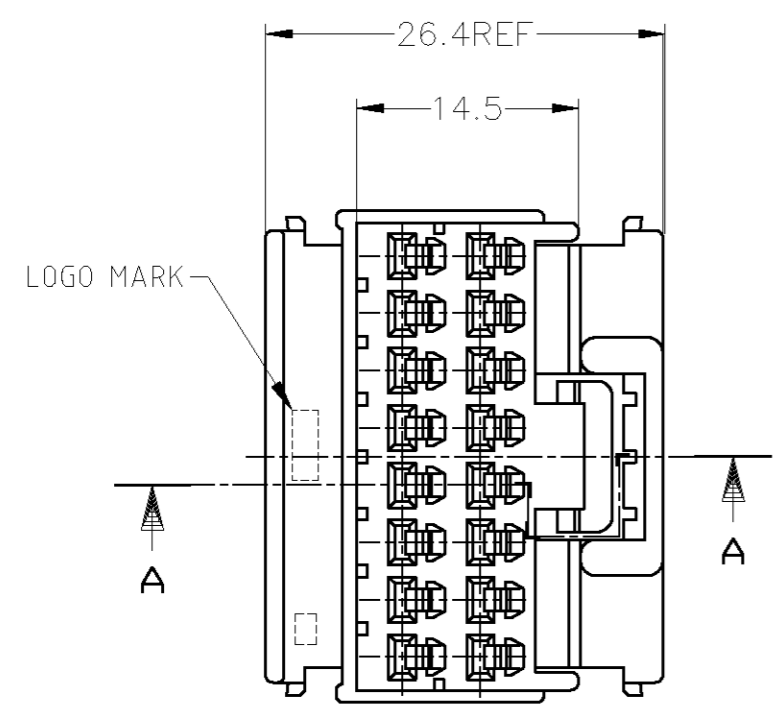


THIS DRAWING IS UNPUBLISHED. RELEASED FOR PUBLICATION  
 © COPYRIGHT BY TYCO ELECTRONICS CORPORATION. ALL INTERNATIONAL RIGHTS RESERVED.

LOC	DIST	REVISIONS			
P	LTR	DESCRIPTION	DATE	DWN	APVD
J	-	B	REDRAWN W/CHNAGE ECR-08-028596	14NOV08	SF KB



二重ロック時  
DOUBLE LOCKED

BLACK	-2
COLOR	PART NUMBER

TOLERANCE UNLESS OTHERWISE SPECIFIED

一般公差

10 ≥	: ± 0.2
30 ≥ > 10	: ± 0.25
100 ≥ > 30	: ± 0.3
ANGLE : ± 3°	

THIS DRAWING IS A CONTROLLED DOCUMENT.		DWN S.FUJITA 14NOV08	Tyco Electronics Corporation Kawasaki, Japan													
DIMENSIONS: mm		CHK K.BETSUI 14NOV08														
TOLERANCES UNLESS OTHERWISE SPECIFIED:		APVD K.BETSUI 14NOV08	NAME													
<table border="1"> <tr> <td>0 PLC</td> <td>± -</td> </tr> <tr> <td>1 PLC</td> <td>± -</td> </tr> <tr> <td>2 PLC</td> <td>± -</td> </tr> <tr> <td>3 PLC</td> <td>± -</td> </tr> <tr> <td>4 PLC</td> <td>± -</td> </tr> <tr> <td>ANGLES</td> <td>± -</td> </tr> </table>		0 PLC	± -	1 PLC	± -	2 PLC	± -	3 PLC	± -	4 PLC	± -	ANGLES	± -	PRODUCT SPEC 108-5244	16 POSITION 070 PLUG HOUSING 040/070 COMBI TYPE MULTILOCK CONNECTOR	
0 PLC	± -															
1 PLC	± -															
2 PLC	± -															
3 PLC	± -															
4 PLC	± -															
ANGLES	± -															
MATERIAL PBT		FINISH -	APPLICATION SPEC 114-5094	RESTRICTED TO -												
		WEIGHT 5.6g	SIZE A3	CAGE CODE 00779												
		CUSTOMER DRAWING	DRAWING NO C-174147	SCALE 2:1												
			SHEET 1 OF 1	REV B												