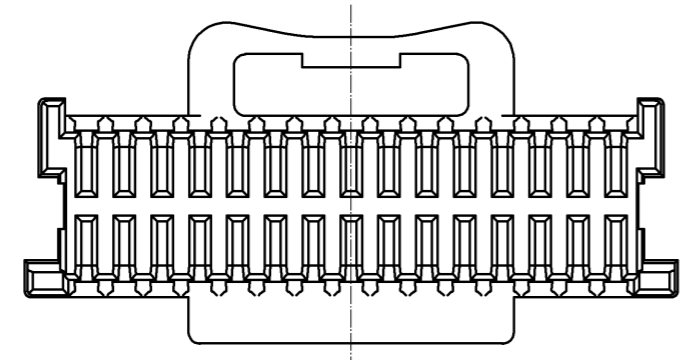
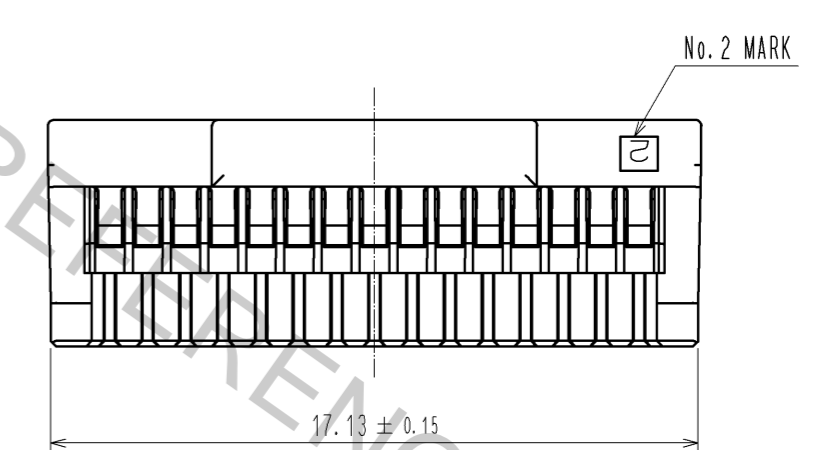
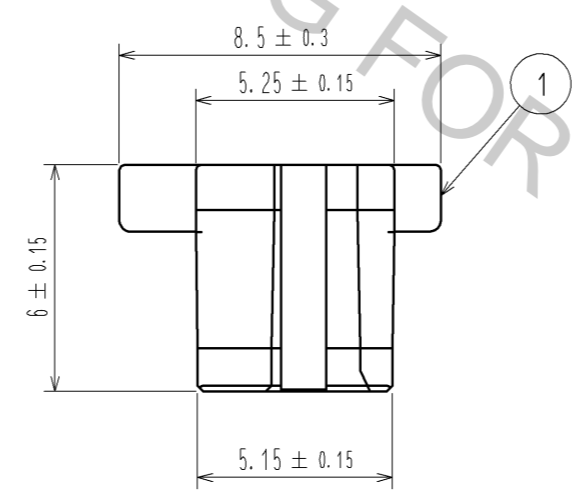
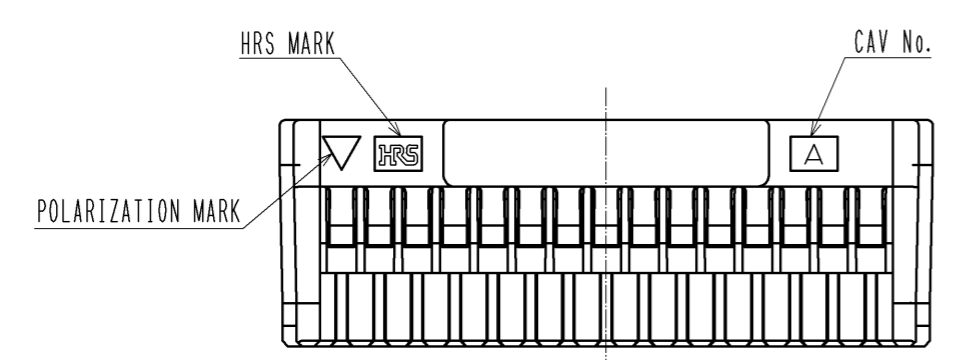
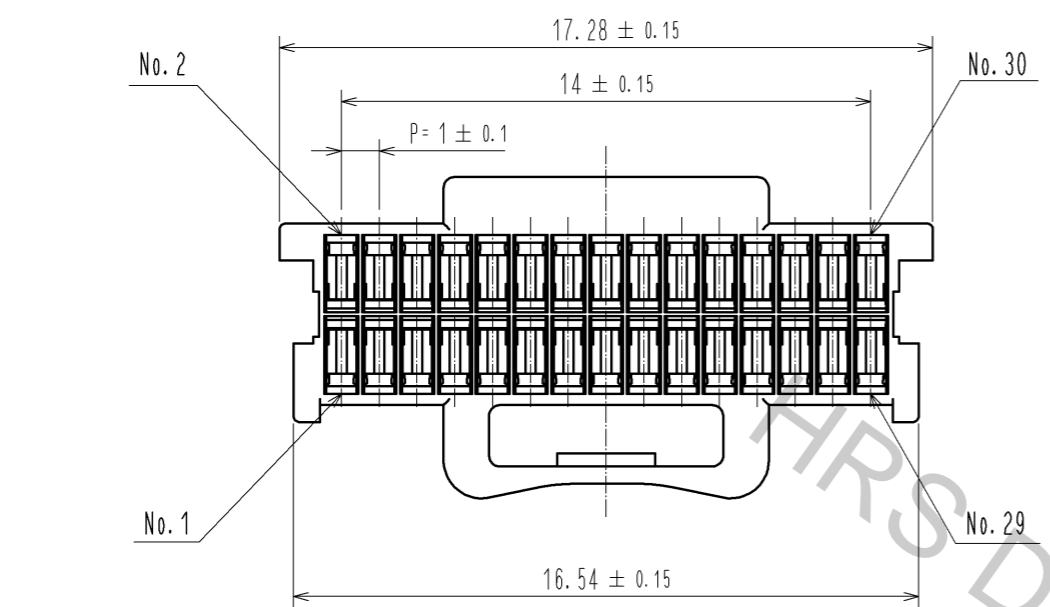


Apr.1.2017 Copyright 2017 HIROSE ELECTRIC CO., LTD. All Rights Reserved.



NOTE1. PER PACK:100 PIECES

NO.	MATERIAL	FINISH . REMARKS	NO.	MATERIAL	FINISH . REMARKS		
			1	PBT	UL94V-0. WHITE		
UNITS mm		SCALE 5 : 1	COUNT 	DESCRIPTION OF REVISIONS	DESIGNED	CHECKED	DATE
HIROSE ELECTRIC CO., LTD.			APPROVED : KI. AKIYAMA	11.11.24	DRAWING NO. EDC3-339823-00		
			CHECED : OM. MIYAMOTO	11.11.22	PART NO. DF50S-30DS-1C		
			DESIGNED : TT. OHSAKO	11.11.21	CODE NO. CL665-0021-5-00		
			DRAWN : TT. OHSAKO	11.11.21	1/1		