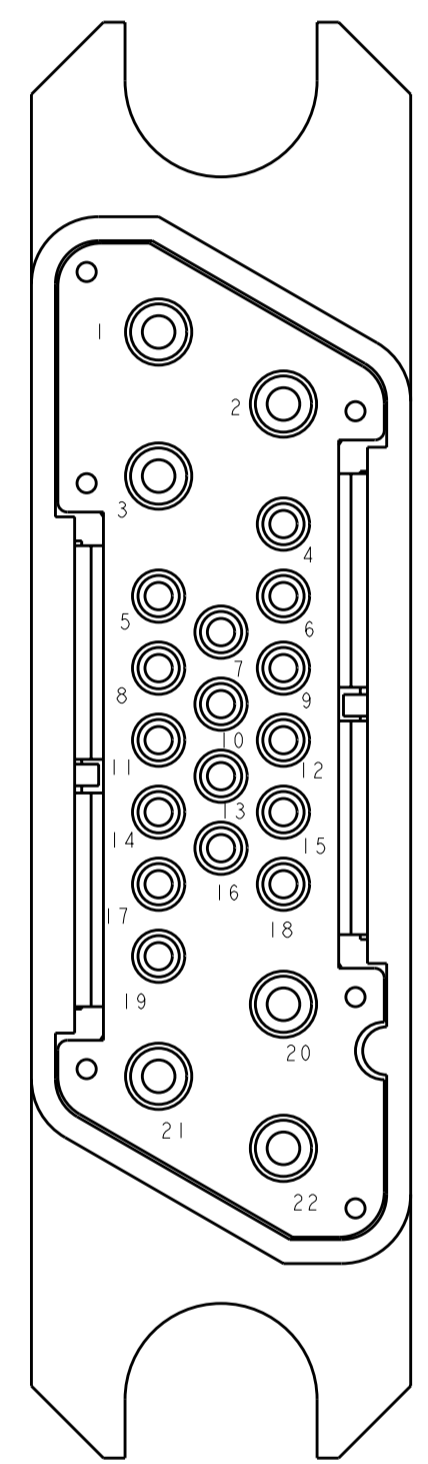
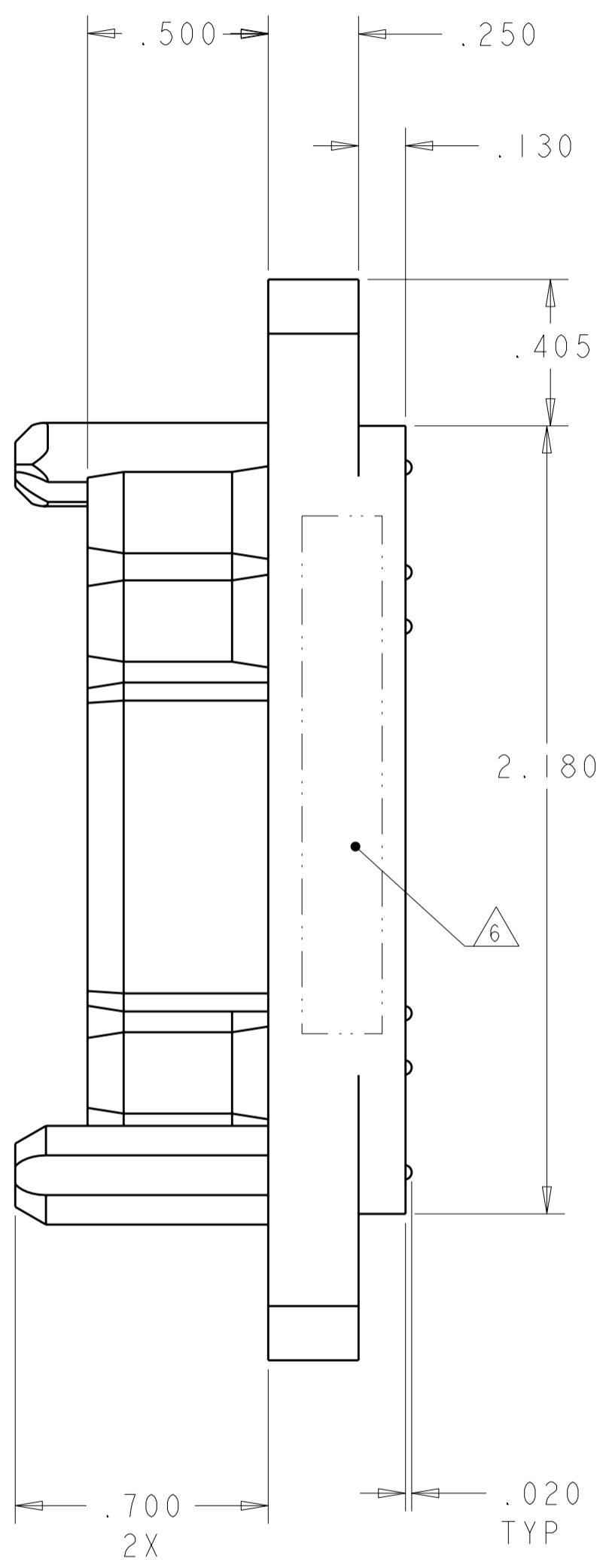
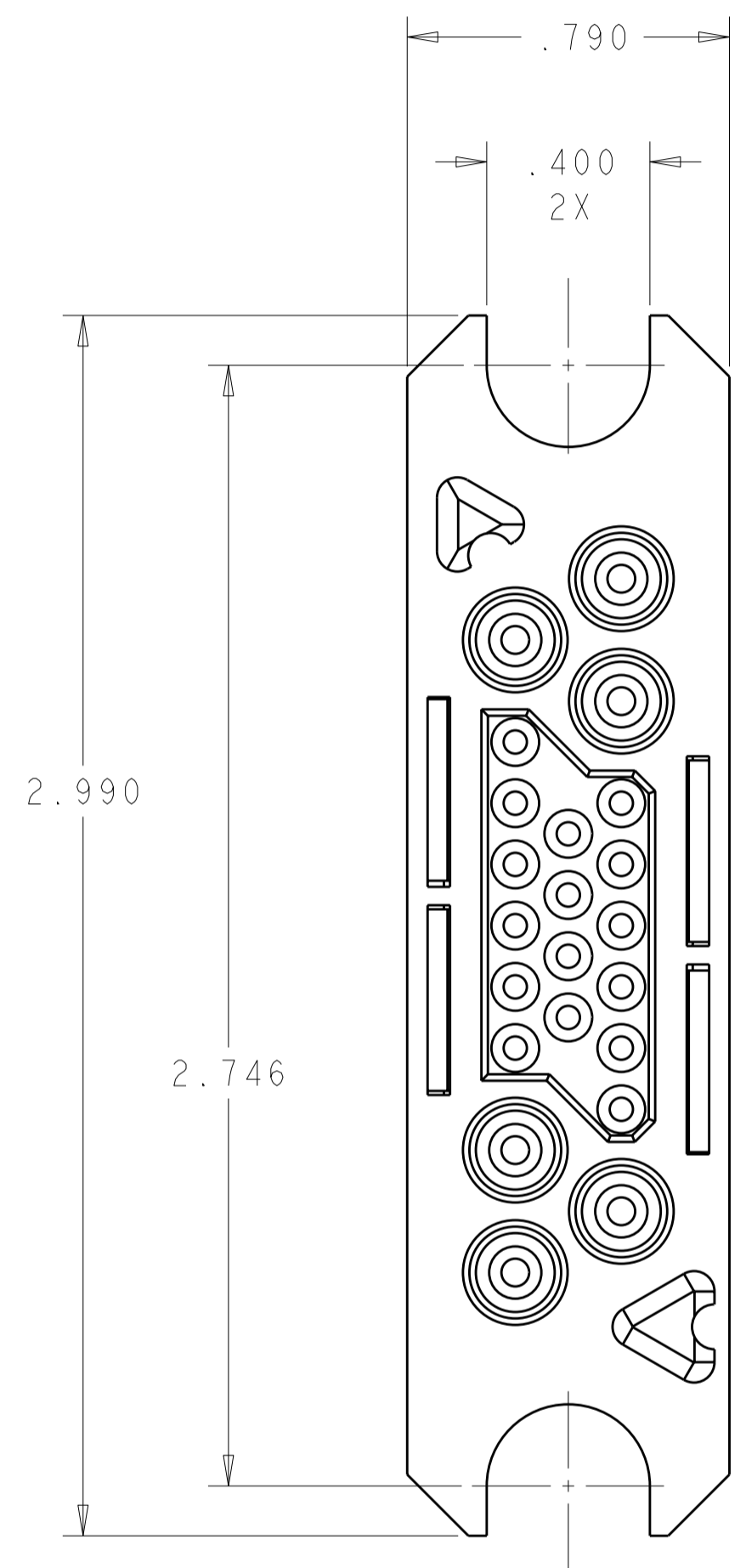


THIS DRAWING IS UNPUBLISHED. RELEASED FOR PUBLICATION 20
 © COPYRIGHT 20 BY TYCO ELECTRONICS CORPORATION. ALL RIGHTS RESERVED.

LOC	DIST	REVISIONS					
GP	00	P	LTR	DESCRIPTION	DATE	DWN	APVD
			A	RELEASED	02SEP2008	RG	DO



SOCKET CONTACT (C)
 SIZE #12

SOCKET CONTACT (B)
 SIZE #20

SOCKET CONTACT (C)
 SIZE #12

REAR VIEW

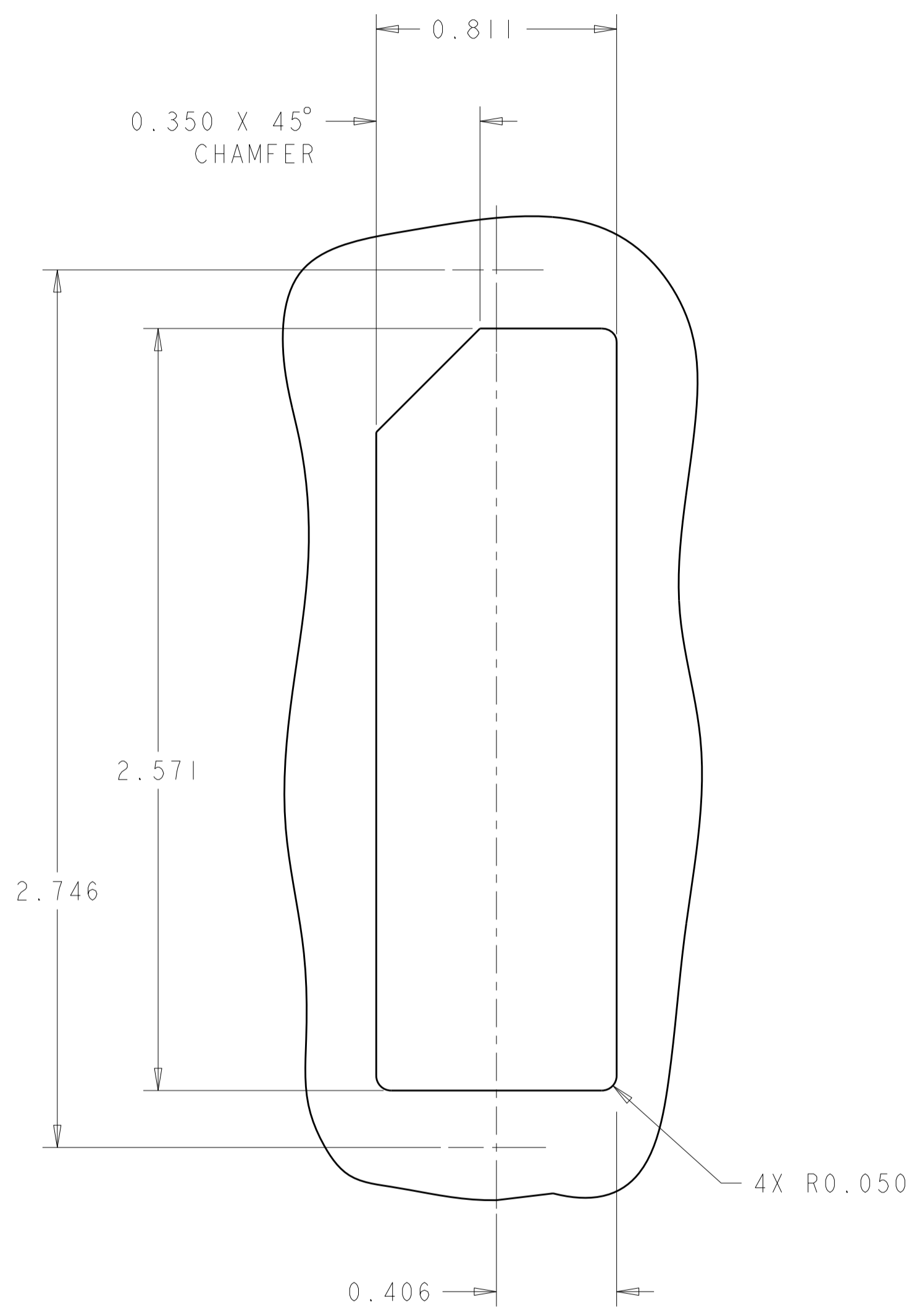
AS SHOWN	1926931-1
DESCRIPTION	PART NUMBER

ELCON MINI DRAWER

<small>THIS DRAWING IS A CONTROLLED DOCUMENT FOR TYCO ELECTRONICS CORPORATION. IT IS SUBJECT TO CHANGE AND THE CONTROLLING ENGINEERING ORGANIZATION SHOULD BE CONTACTED FOR THE LATEST REVISION.</small>		DWN R. GRZYBOWSKI 18AUG08 CHK D. ORRIS 18AUG08 APVD M. PERCHERKE 18AUG08	Tyco Electronics Harrisburg, PA 17105-3608
DIMENSIONS: INCHES	TOLERANCES UNLESS OTHERWISE SPECIFIED: 0 PLC ± 1 PLC ± 2 PLC ±.02 3 PLC ±.010 4 PLC ± ANGLES ± FINISH	PRODUCT SPEC APPLICATION SPEC WEIGHT	NAME SOCKET CONNECTOR ASSEMBLY WITH CRIMP CONTACTS MINI DRAWER SIZE CAGE CODE DRAWING NO RESTRICTED TO A200779 C-1926931 -
MATERIAL		CUSTOMER DRAWING	SCALE 3:1 SHEET 1 OF 2 REV A

THIS DRAWING IS UNPUBLISHED. RELEASED FOR PUBLICATION 20
 © COPYRIGHT 20 BY TYCO ELECTRONICS CORPORATION. ALL RIGHTS RESERVED.

LOC	DIST	REVISIONS			
P	LTR	DESCRIPTION	DATE	DWN	APVD
GP	00	-	SEE SHEET 1	-	-



SUGGESTED PANEL CUTOUT
 VIEW FROM CONNECTOR MOUNTING SIDE

- PART NUMBER CHANGES AND OR DESIGN CHANGES AFFECTING THE INTERCHANGEABILITY REQUIRE PRIOR TYCO ELECTRONICS APPROVAL AND AUTHORIZATION BY REVISION TO THIS DRAWING.
 - MATERIAL:
 INSULATOR: THERMOPLASTIC, GLASS REINFORCED, UL 94V-0
 FLAMMABILITY RATED, COLOR: BLACK
 CONTACT: COPPER ALLOY
 CROWN BAND: BERYLLIUM COPPER
 RETENTION CLIP: BERYLLIUM COPPER OR STAINLESS STEEL
 - FINISH:
 CONTACTS SIZE #12 : SILVER PLATE .000200 MIN OVER NICKEL .000040 MIN THK.
 CONTACTS SIZE #20 : GOLD .000010 MIN. THK. OVER NICKEL .000040 MIN THK.
 CROWN BAND: GOLD PLATE .000030 MIN OVER NICKEL .000040 MIN THK.
- △ CRIMP CONTACTS (ITEMS B & C) AND SCREWS (ITEM D) SHALL BE PACKAGED SEPARATELY AND PLACED IN THE BOX WITH THE CONNECTOR ASSEMBLY.
5. THIS CONNECTOR ASSEMBLY SHALL BE PACKAGED AS A KIT.
- △ ITEMS PROVIDED TO THIS SPECIFICATION TO BE PERMANENTLY IDENTIFIED PER THE FOLLOWING IDENTIFIER:

TYCO ELECTRONICS P/N DATE CODE (e.g. 0216)

XXXXXXXX-X YEAR 1 WEEK 1

XXXX

△ 2	1650402-1	SCREW, SHOULDER, 8 X 32 UNC THD	D
△ 6	6648318-1	CONTACT, SOCKET, SIZE #12, CRIMP, STD	C
△ 16	1648325-1	CONTACT, SOCKET, SIZE #20, CRIMP, STD	B
△ 1	1648115-2	HOUSING, SOCKET, PCB MOUNT, NO LABEL	A
-1	PART NUMBER	DESCRIPTION	ITEM

ELCON MINI DRAWER

<small>THIS DRAWING IS A CONTROLLED DOCUMENT FOR TYCO ELECTRONICS CORPORATION. IT IS SUBJECT TO CHANGE AND THE CONTROLLING ENGINEERING ORGANIZATION SHOULD BE CONTACTED FOR THE LATEST REVISION.</small>		DWN R. GRZYBOWSKI 18AUG08 CHK D. ORRIS 18AUG08 APVD M. PERCHERKE 18AUG08	Tyco Electronics Harrisburg, PA 17105-3608
DIMENSIONS: INCHES 	TOLERANCES UNLESS OTHERWISE SPECIFIED: 0 PLC ± 1 PLC ± 2 PLC ±.02 3 PLC ±.010 4 PLC ± ANGLES ± FINISH	PRODUCT SPEC APPLICATION SPEC WEIGHT	NAME SOCKET CONNECTOR ASSEMBLY WITH CRIMP CONTACTS MINI DRAWER SIZE CAGE CODE DRAWING NO RESTRICTED TO A200779 C-1926931 -
MATERIAL		CUSTOMER DRAWING	SCALE 3:1 SHEET 2 OF 2 REV A