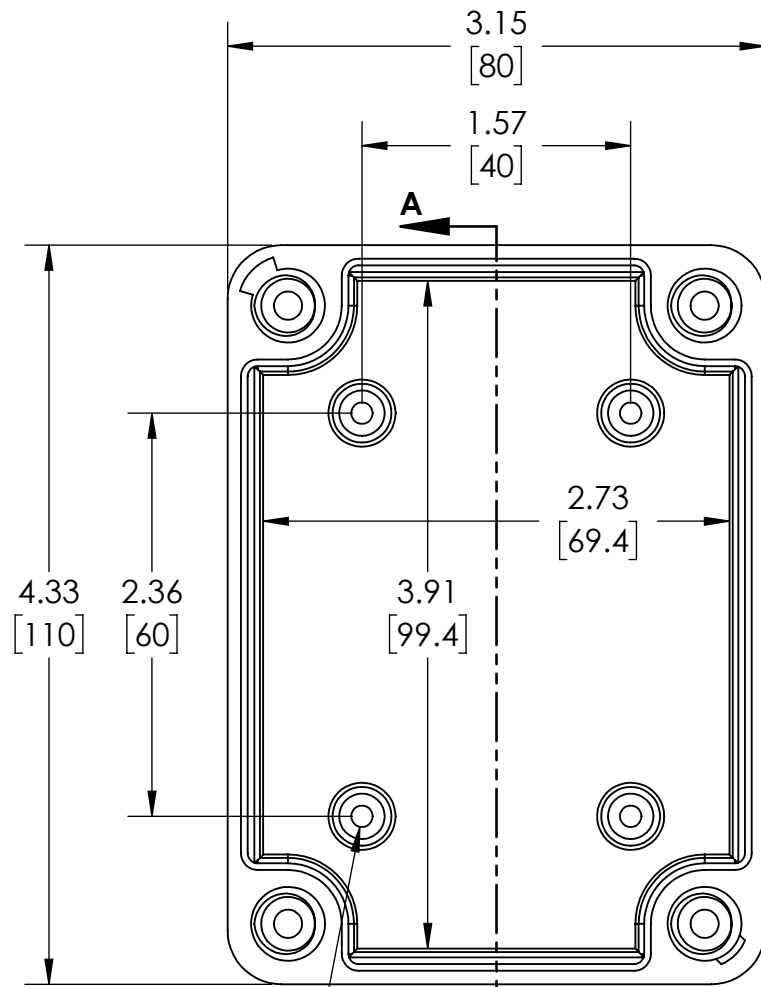
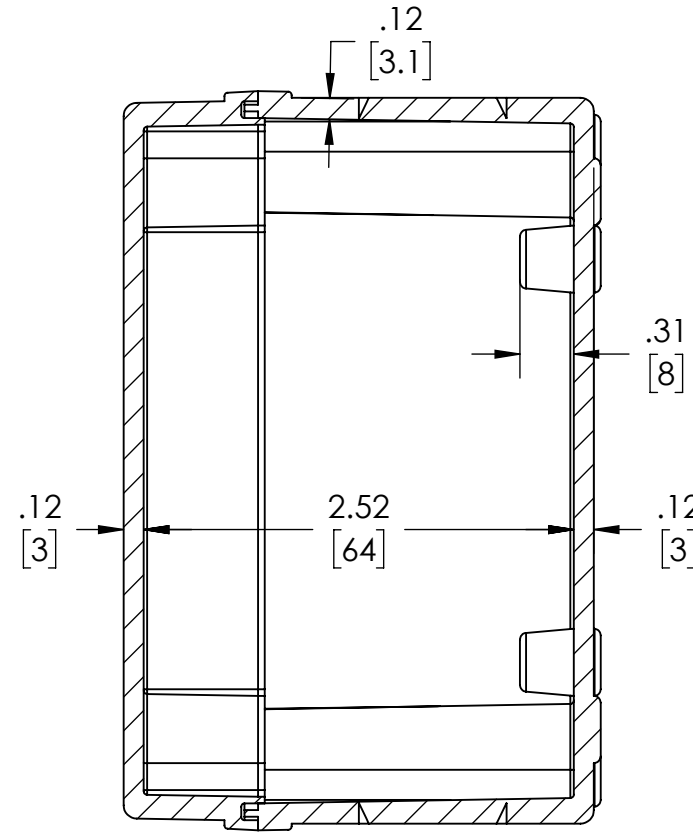


DRAWING FOR REFERENCE
 WE RESERVE THE RIGHT TO MAKE CHANGES TO OUR
 STANDARD PRODUCTS. PLEASE CONSULT WITH BUD INDUSTRIES
 PRIOR TO USING THIS DRAWING FOR DESIGN PURPOSE.

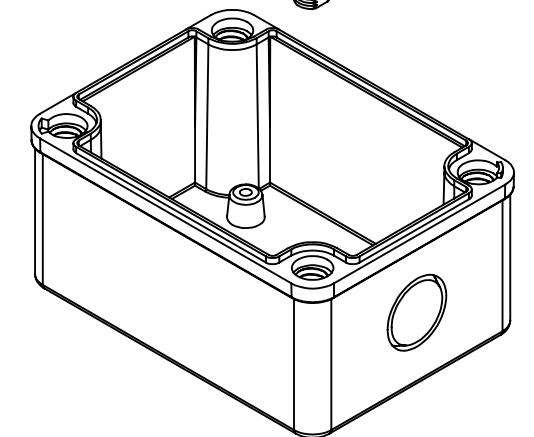
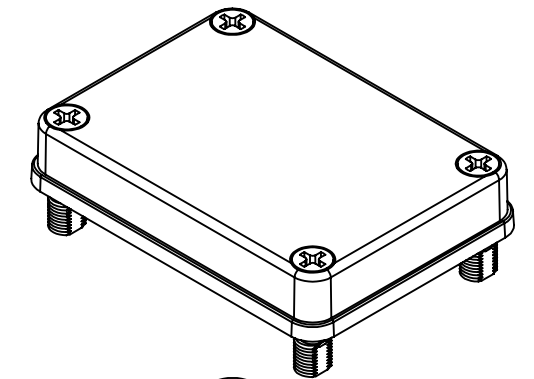
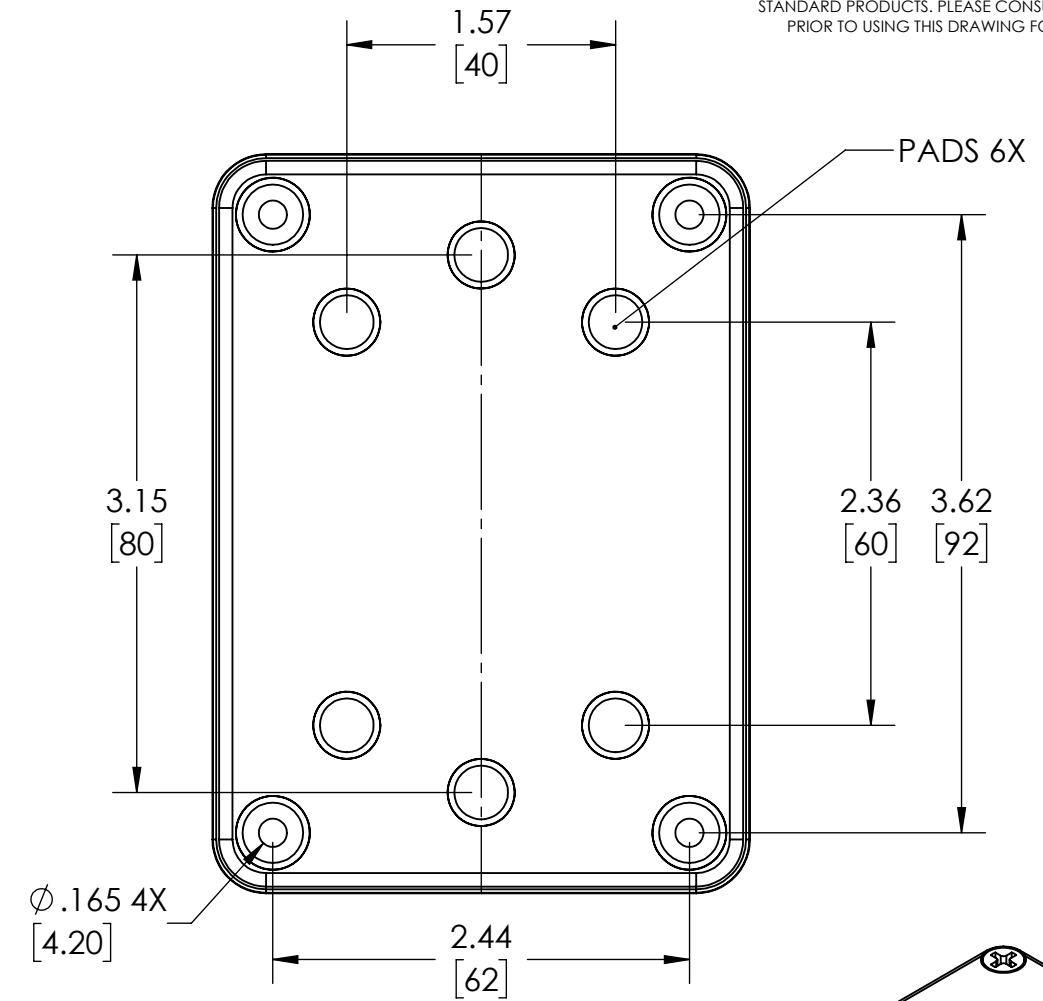


$\phi .126$ 4X
 [3.20]
 X 0.24 [6.1] DEEP

COVER NOT SHOWN



SECTION A-A

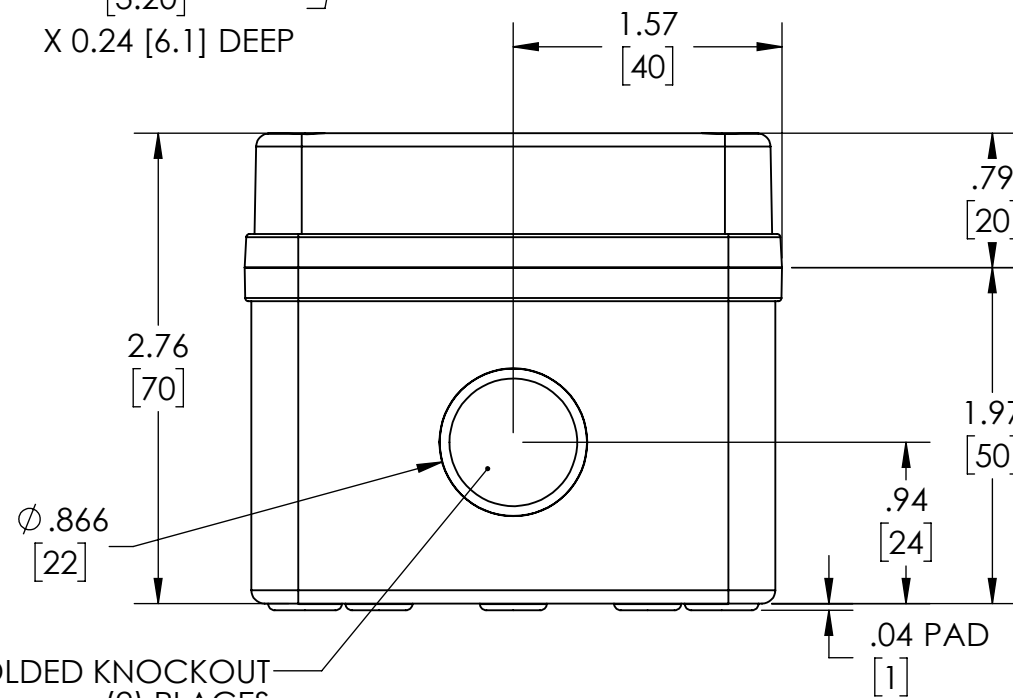


NOTES:

- 1- MATERIAL: BODY - GRAY POLYCARBONATE RESIN 10% GLASS FIBER FILLED
 COVER - GRAY OR CLEAR (-C SUFFIX) POLYCARBONATE
- 2- UL508 / NEMA TYPE 4X & TYPE 6 WITH IP-67 TUV RATING & UL-94 5VA
- 3- CONTINUOUS Poured FOAM GASKET IN COVER
- 4- COVER ATTACHES WITH NON-METALLIC CAPTIVE SCREWS
- 5- INTERNAL BOSSES WILL ACCEPT M4x0.7 x 6mm LG. THREAD FORMING
 SCREWS FOR ATTACHING AN INTERNAL PANEL OR PCB (NOT SUPPLIED)
- 6 - DIMENSIONS ARE INCH [MM]

OPTIONAL ACCESSORIES:

- INTERNAL STEEL PANEL #
- MOUNTING BRACKET KIT (STAINLESS STEEL) - #NBX-10922
- MOUNTING BRACKET KIT (PLASTIC) #PIX-4117



MOLDED KNOCKOUT
 (2) PLACES