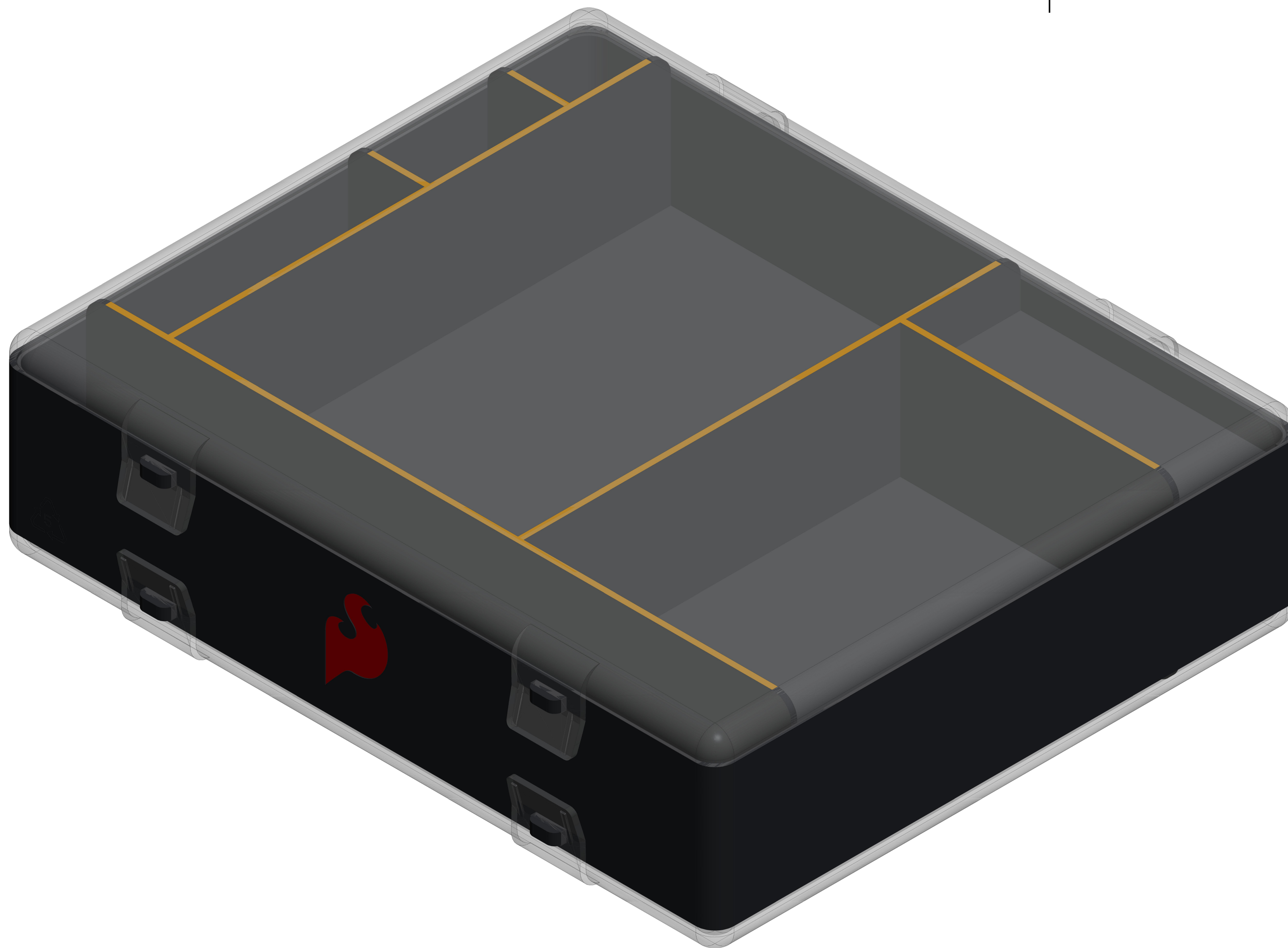


4

3

2

1



D

D

C

C

B

B

A

A

4

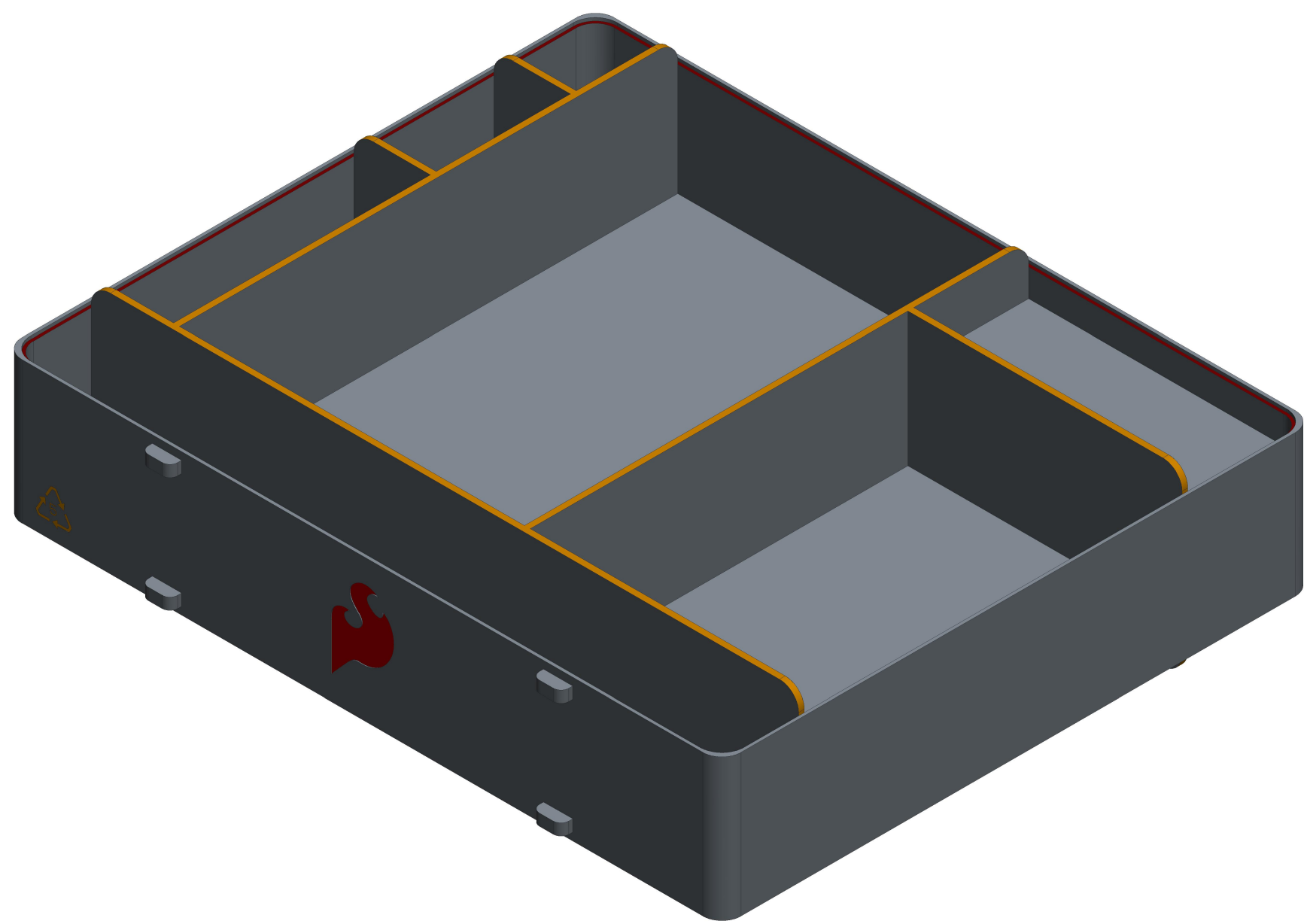
3

2

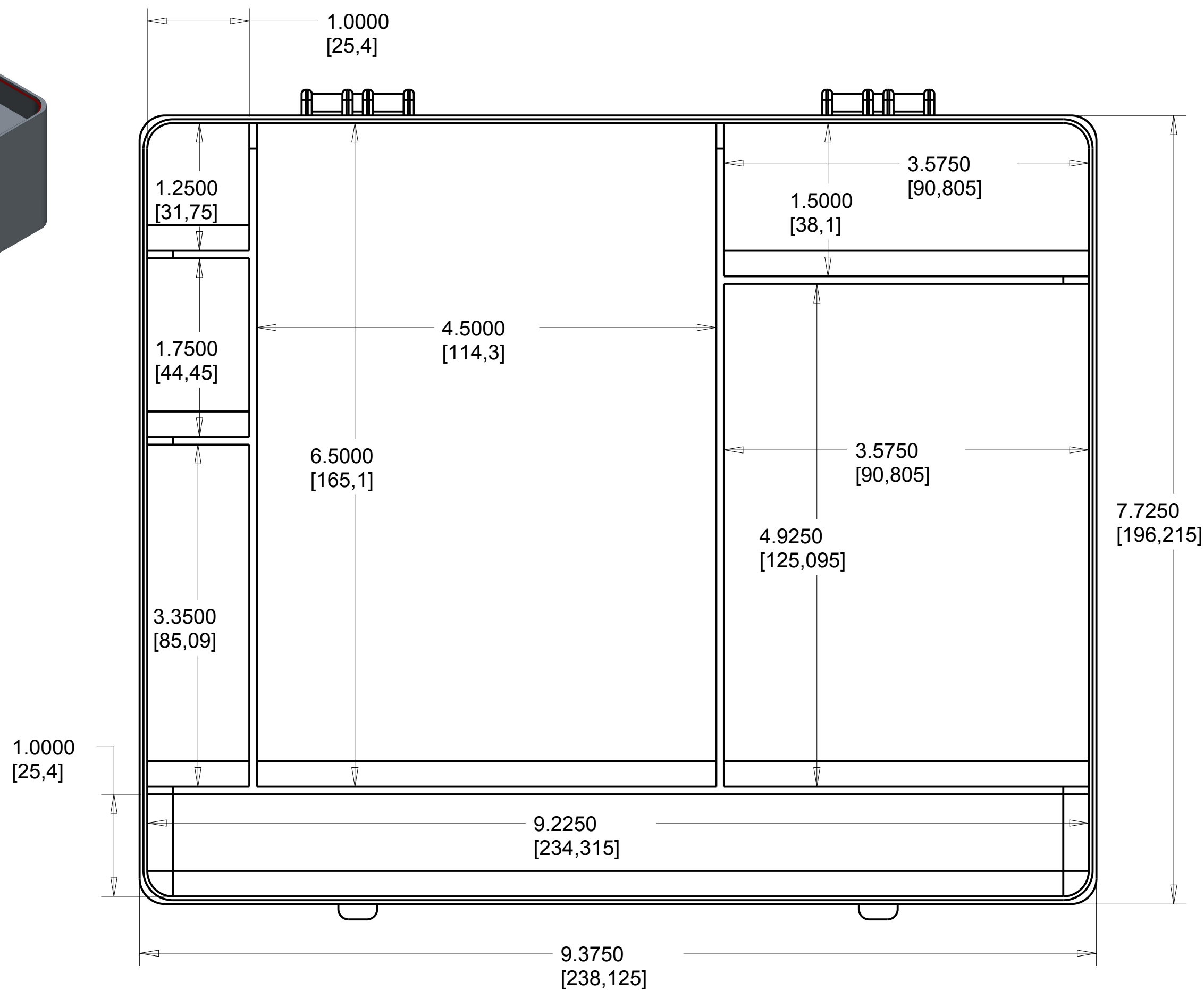
1

<p>New plastic type. Layout has been changed. Pockets added on backside. Overall height increased by 0.250" New hinge style and new latch style.</p> <p>NOTES:</p>	<b>MATERIAL:</b>	Polypropylene (PP #5)	<b>MODEL NAME:</b>	SparkFun Inventor's Kit - Carrying Case
	<p><small>Description: This is our newest iteration of the SparkFun Inventor's Kit Carrying Case. This spiffy carrying case was designed by our very own Ministry of Machines (designer of the S.H.O.V.E.L.) and features seven separate compartments under a translucent snap-in latch lid. The underside of the box has a translucent snap-in latch lid as well, with an additional three compartments, where you can put user manuals, documents, and even more parts! These are great carrying cases for taking your prototyping project on the run.</small></p>		<a href="https://www.sparkfun.com/products/11783">https://www.sparkfun.com/products/11783</a>	
	<p><b>DESCRIPTION:</b></p>		<p>PAGE SIZE C 22 x 17 INCH</p>	
	<b>DRAWN BY:</b>	Paul Smith	<b>SCALE:</b>	variable
<b>DATE:</b>	17 July 2013	<b>UNITS:</b>	inch [mm]	
<b>CAD APPLICATION:</b>	Creo Parametric 2.0	<b>VER:</b>	3	<b>SHEET 1 / 5</b>





SCALE 0.750



<p>New plastic type. Layout has been changed. Pockets added on backside. Overall height increased by 0.250" New hinge style and new latch style.</p> <p>NOTES:</p>	MATERIAL:	Polypropylene (PP #5)	MODEL NAME:	SparkFun Inventor's Kit - Carrying Case
	<p>Description: This is our newest iteration of the SparkFun Inventor's Kit Carrying Case. This spiffy carrying case was designed by our very own Ministry of Machines (designer of the S.H.O.V.E.L.) and features seven separate compartments under a translucent snap-in latch lid. The underside of the box has a translucent snap-in latch lid as well, with an additional three compartments, where you can put user manuals, documents, and even more parts! These are great carrying cases for taking your prototyping project on the run.</p>		<p><a href="https://www.sparkfun.com/products/11783">https://www.sparkfun.com/products/11783</a></p>	
	DESCRIPTION:		PAGE SIZE C 22 x 17 INCH	
	DRAWN BY:	Paul Smith	SCALE:	variable
DATE:	17 July 2013	UNITS:	inch [mm]	
CAD APPLICATION:	Creo Parametric 2.0	VER:	3	SHEET 2 / 5



4

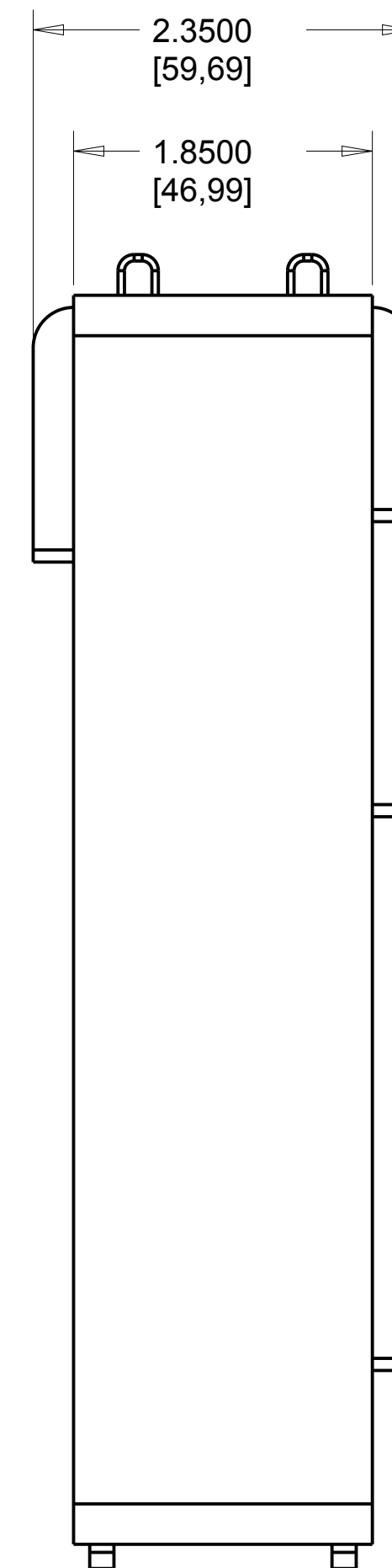
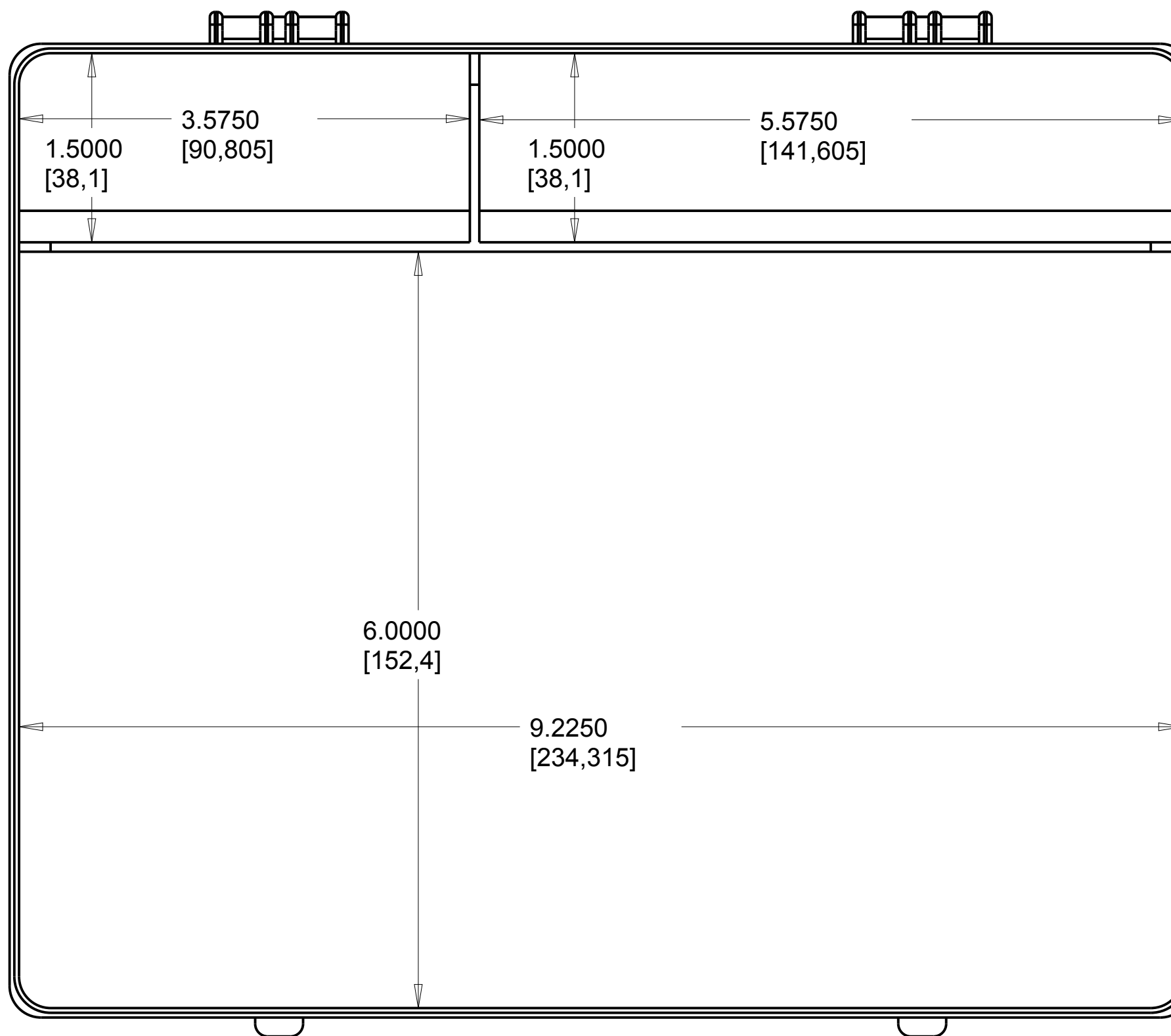
3

2

1



SCALE 0.750



New plastic type. Layout has been changed. Pockets added on backside. Overall height increased by 0.250" New hinge style and new latch style.  NOTES:	<b>MATERIAL:</b> Polypropylene (PP #5)	<b>MODEL NAME:</b> SparkFun Inventor's Kit - Carrying Case
	<small>Description: This is our newest iteration of the SparkFun Inventor's Kit Carrying Case. This spiffy carrying case was designed by our very own Ministry of Machines (designer of the S.H.O.V.E.L.) and features seven separate compartments under a translucent snap-in latch lid. The underside of the box has a translucent snap-in latch lid as well, with an additional three compartments, where you can put user manuals, documents, and even more parts! These are great carrying cases for taking your prototyping project on the run.</small>	
	<b>DESCRIPTION:</b>	
	<b>DRAWN BY:</b> Paul Smith	<b>SCALE:</b> variable
	<b>DATE:</b> 17 July 2013	<b>UNITS:</b> inch [mm]
	<b>CAD APPLICATION:</b> Creo Parametric 2.0	<b>VER:</b> 3

<https://www.sparkfun.com/products/11783>

PAGE SIZE C  
22 x 17 INCH



SHEET 3 / 5

4

3

2

1

4

3

2

1

D

D

C

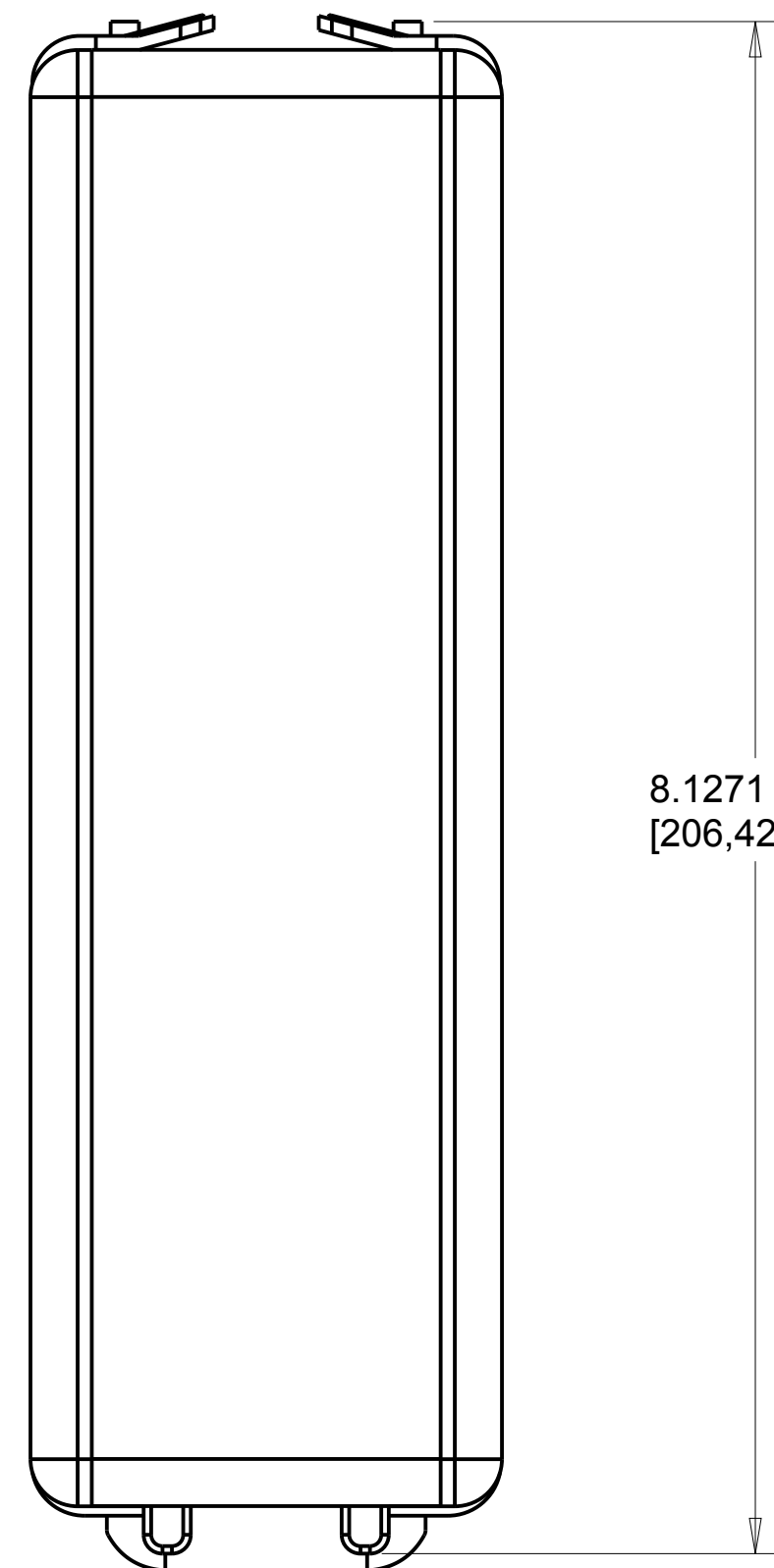
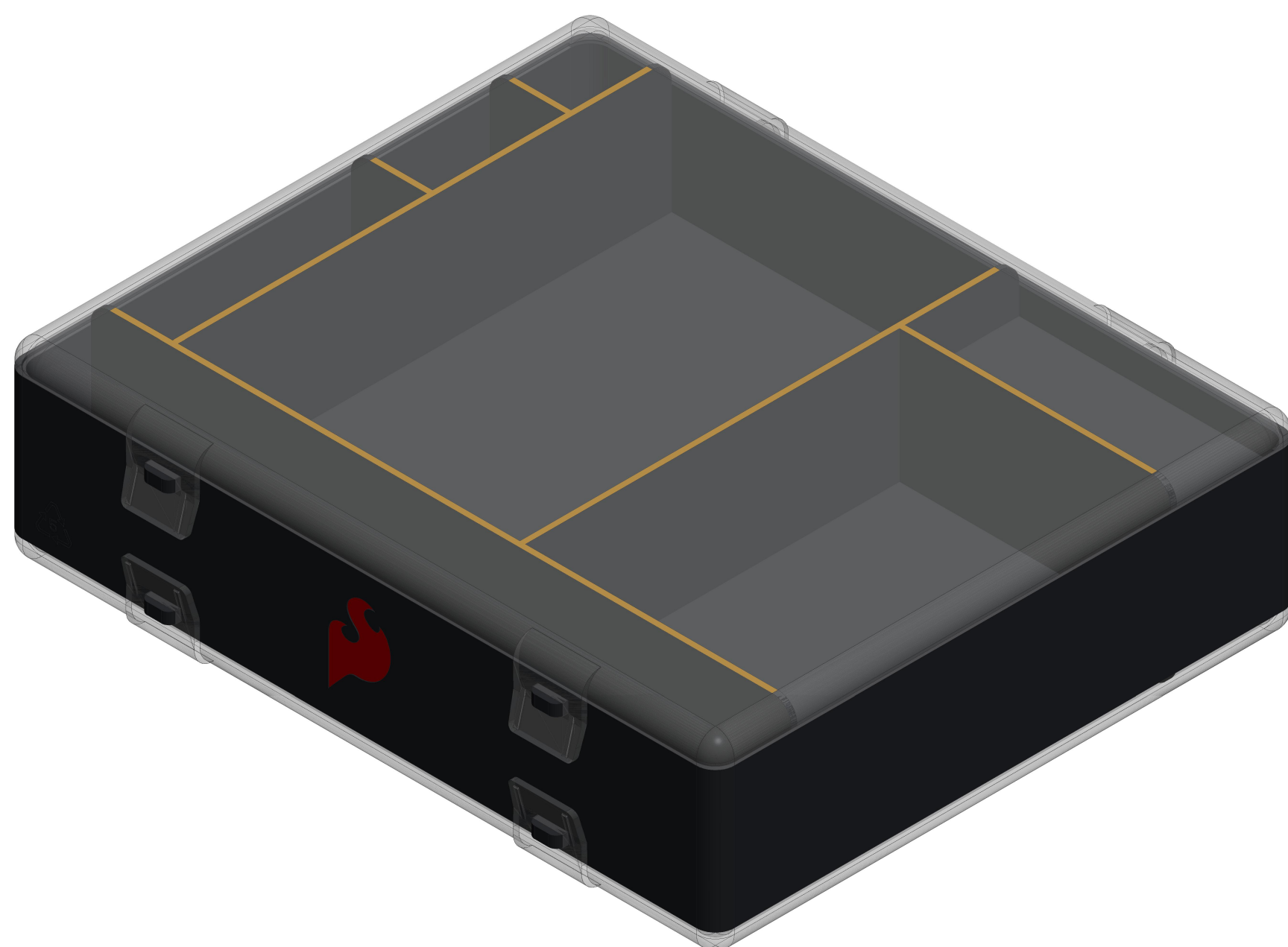
C


B

B

A

A



New plastic type. Layout has been changed. Pockets added on backside. Overall height increased by 0.250" New hinge style and new latch style.  NOTES:	<b>MATERIAL:</b>	Polypropylene (PP #5)	<b>MODEL NAME:</b>	SparkFun Inventor's Kit - Carrying Case
	<b>DESCRIPTION:</b>	<small>Description: This is our newest iteration of the SparkFun Inventor's Kit Carrying Case. This spiffy carrying case was designed by our very own Ministry of Machines (designer of the S.H.O.V.E.L.) and features seven separate compartments under a translucent snap-in latch lid. The underside of the box has a translucent snap-in latch lid as well, with an additional three compartments, where you can put user manuals, documents, and even more parts! These are great carrying cases for taking your prototyping project on the run.</small>		
	<b>DRAWN BY:</b>	Paul Smith	<b>SCALE:</b>	variable
	<b>DATE:</b>	17 July 2013	<b>UNITS:</b>	inch [mm]
	<b>CAD APPLICATION:</b>	Creo Parametric 2.0	<b>VER:</b>	3
			<a href="https://www.sparkfun.com/products/11783">https://www.sparkfun.com/products/11783</a>    SHEET 4 / 5	

4

3

2

1

4

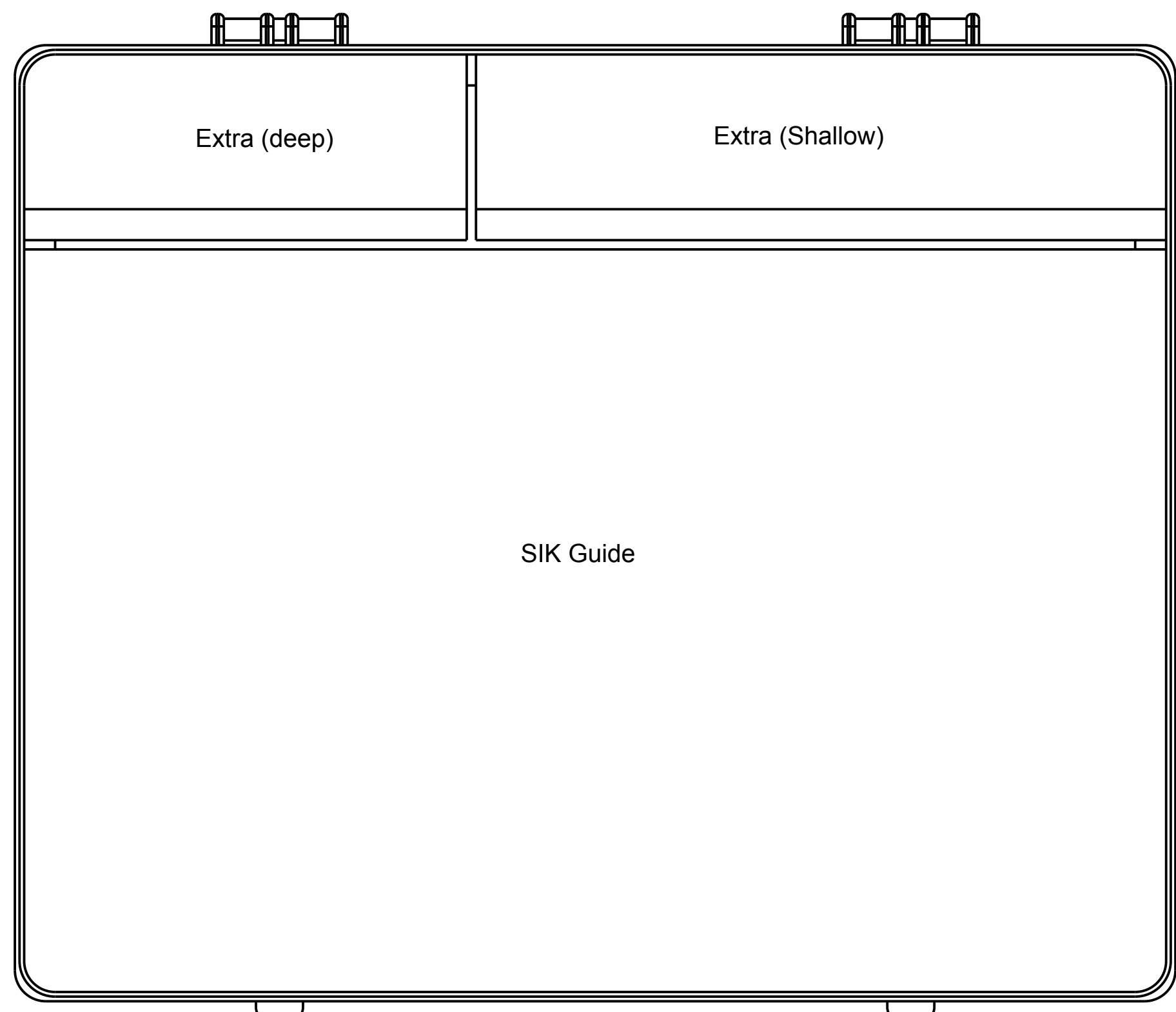
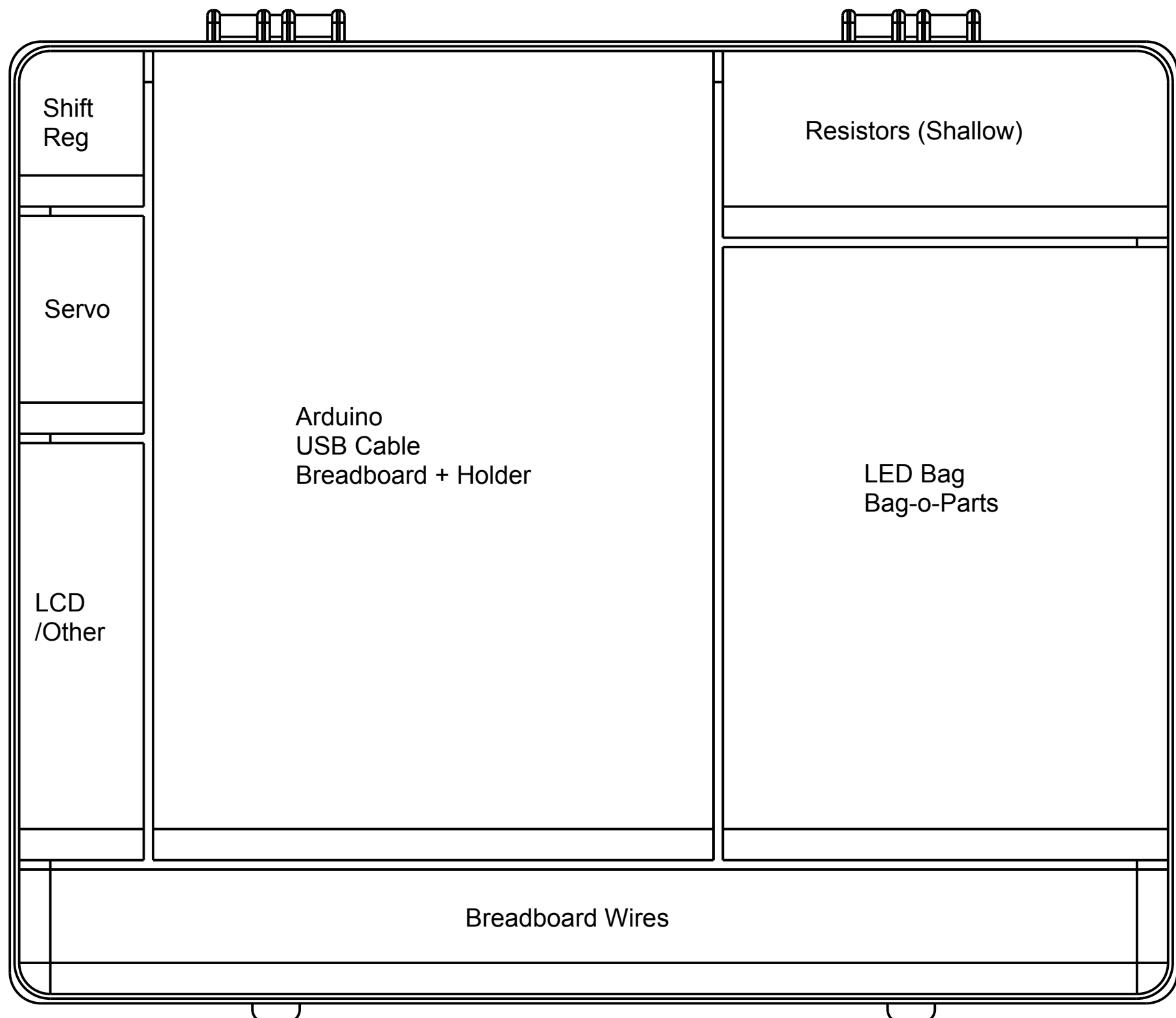
3

2

1

Top Side

Bottom Side



<p>New plastic type. Layout has been changed. Pockets added on backside. Overall height increased by 0.250" New hinge style and new latch style.</p> <p>NOTES:</p>	<b>MATERIAL:</b>	Polypropylene (PP #5)	<b>MODEL NAME:</b>	SparkFun Inventor's Kit - Carrying Case
	<b>DESCRIPTION:</b>	<p><small>Description: This is our newest iteration of the SparkFun Inventor's Kit Carrying Case. This spiffy carrying case was designed by our very own Ministry of Machines (designer of the S.H.O.V.E.L.) and features seven separate compartments under a translucent snap-in latch lid. The underside of the box has a translucent snap-in latch lid as well, with an additional three compartments, where you can put user manuals, documents, and even more parts! These are great carrying cases for taking your prototyping project on the run.</small></p> <p><a href="https://www.sparkfun.com/products/11783">https://www.sparkfun.com/products/11783</a></p>		
	<b>DRAWN BY:</b>	Paul Smith	<b>SCALE:</b>	variable
	<b>DATE:</b>	17 July 2013	<b>UNITS:</b>	inch [mm]
	<b>CAD APPLICATION:</b>	Creo Parametric 2.0	<b>VER:</b>	3
		<b>PAGE SIZE C</b> 22 x 17 INCH		

4

3

2

1