



**4D SYSTEMS**  
*TURNING TECHNOLOGY INTO ART*

**4D 4.3" LCD CAPE**

**Beagle Bone Black 4.3" LCD CAPE**

**DATASHEET**

**Document Date: 17<sup>th</sup> December 2015**  
**Document Revision: 1.20**

# Contents

---

<b>1. Description</b> .....	<b>3</b>
<b>2. Features</b> .....	<b>3</b>
<b>3. Getting Started</b> .....	<b>4</b>
3.1. Requirements.....	4
3.2. How to use the 4D 4.3" LCD CAPE.....	4
3.3. Changing the brightness (Angstrom) .....	4
3.4. Changing the brightness (Android) .....	5
3.5. Android Information .....	5
3.6. Calibrating resistive touch (Angstrom).....	5
<b>4. EEPROM Details</b> .....	<b>5</b>
4.1. 4DCAPE-43 EEPROM .....	5
4.2. 4DCAPE-43T EEPROM .....	5
<b>5. Software / Driver Disclaimer</b> .....	<b>6</b>
<b>6. Notes</b> .....	<b>6</b>
<b>7. Schematic Diagram – HW REV 1.1</b> .....	<b>7</b>
<b>8. Schematic Diagram – HW REV 1.3</b> .....	<b>8</b>
<b>9. Mechanical Details</b> .....	<b>9</b>
<b>10. Ordering Information</b> .....	<b>10</b>
<b>11. Legal Notice</b> .....	<b>11</b>
<b>12. Contact Information</b> .....	<b>11</b>

## 1. Description

The 4D 4.3" LCD CAPE is a cape specifically designed for the Beagle Bone Black (BBB), and provides a 4.3" primary display for the BBB for direct user interaction and information display.

Available in both touch (4DCAPE-43T) and non-touch (4DCAPE-43).

The 4DCAPE-43 is **not** compatible with the previous Beagle Bone (Beagle Bone White), and can only be used with the Beagle Bone Black.

The 4D 4.3" LCD CAPE features a 4.3" TFT LCD 480x272 resolution display.

The 4DCAPE-43 utilises the drivers developed for the CircuitCo LCD4, however provides a different form factor and pricing point to the LCD4.

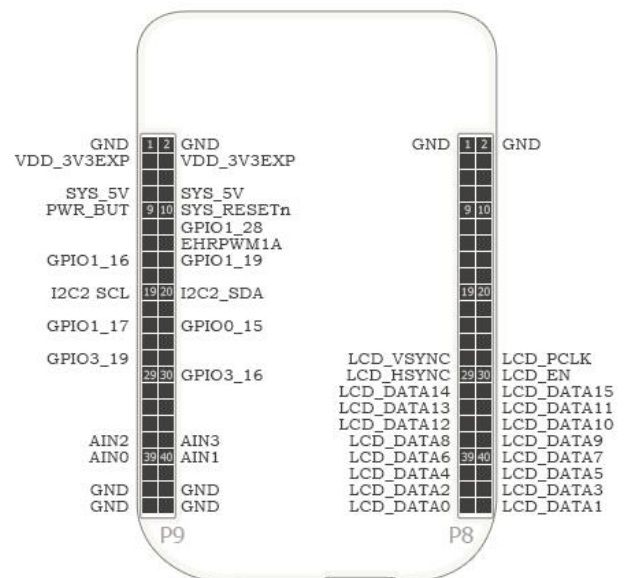
The Beagle Bone Black connects directly to the back of the 4DCAPE-43(T), and provides everything the CAPE requires such as power and display signals.

The 4D 4.3" LCD CAPE features 7 push buttons below the screen, LEFT, RIGHT, UP, DOWN, ENTER, RESET and POWER, along with 2 LED's to indicate Power and User Status (normally heartbeat).

Mounting of the 4DCAPE-43(T) is achieved with the 4x 3.5mm mounting holes present on the CAPE, enabling standard M3 or #6-32 screws to fasten the 4DCAPE-43 as required.

## 2. Features

- 4.3" TFT LCD CAPE for the Beagle Bone Black
- Available in 2 models, Resistive Touch (4DCAPE-43T) and Non-Touch (43CAPE-43)
- 7 push buttons including LEFT, RIGHT, UP, DOWN, ENTER, RESET and POWER
- 2 LED Lights for Power and User
- 2x2 Jumper with shunts for EEPROM CAPE ID selection
- Module dimensions: 120.4 x 80.0 x 24.8mm
- Module dimensions with Beagle Bone Black connected: Approx 120.4 x 80.0 x 32.0mm
- 4x 3.5mm Mounting holes
- RoHS and CE Compliant.



### 3. Getting Started

#### 3.1. Requirements

The 4D 4.3" LCD CAPE is designed to work with existing software and drivers already developed for the Beagle Bone Black.

The Requirements for use are:

- 4DCAPE-43 or 4DCAPE-43T Cape
- Beagle Bone Black (BBB) with suitable distribution loaded
- 5V DC Supply suitable for the Beagle Bone Black, recommended 2A @ 5V.
- A Stylus is recommended for accurate touch, however is not required.

#### 3.2. How to use the 4D 4.3" LCD CAPE

The following steps should be all that is required in order to use the 4DCAPE-43(T):

1. Connect the 4DCAPE-43(T) to the Beagle Bone Black while the Beagle Bone Black is not powered. Outline of the BBB is printed on the back of the 4DCAPE-43(T) as a guide for orientation.
2. If using with other capes, ensure the 4DCAPE-43 is not conflicting pin wise to any other cape installed.
3. Ensure the DIP Switch on the CAPE is set to a different EEPROM ID to any other capes.
4. Ensure your Beagle Bone Black is loaded with a suitable Linux distribution which is compatible with the existing CircuitCo LCD4 CAPE or 4D Systems 4DCAPE-43(T) – See Section 5. Angstrom release 20.06.2013 or later is recommended. Android 4.2.2 has also been tested and functions correctly. Other distributions may also be compatible with this display.
5. Connect a 5V Supply to the DC Jack of the Beagle Bone Black. It is recommended to use a 2A supply to ensure sufficient supply.
6. Once power is connected, something should be displayed on the 4DCAPE-43(T) as it is booted. Once booted, the system should automatically log in (assuming Angstrom Linux distribution is used), and the Touch Screen Calibration Utility should load automatically. If using the 4DCAPE-43 without touch, this can be exited and ignored.
7. Calibrate the 4DCAPE-43(T) using the utility by following the on screen instructions. If the

utility is closed, it is available again under the System – Administration menu.

8. Complete – the Angstrom desktop should be displayed on the 4DCAPE-43(T) and is ready for use, else Andoid etc.

For support of the BBB and various distributions, please seek support from the respective websites associated with the BBB itself or the distributions – See Section 5.

A good place to start for information and support regarding the BBB and various distributions available, is [www.beagleboard.org](http://www.beagleboard.org)

This website details how to update your software on the BBB to the current version of Angstrom available for the BBB

[http://circuitco.com/support/index.php?title=Updating The Software](http://circuitco.com/support/index.php?title=Updating%20The%20Software)

This website details how to update your software on the BBB for the current version of Andoid.

[http://downloads.ti.com/sitara\\_android/esd/TI\\_Android\\_DevKit/TI\\_Android\\_JB\\_4\\_2\\_2\\_DevKit\\_4\\_1\\_1/index\\_FDS.html](http://downloads.ti.com/sitara_android/esd/TI_Android_DevKit/TI_Android_JB_4_2_2_DevKit_4_1_1/index_FDS.html)

For support regarding the 4DLCD-43(T) CAPE hardware itself, please go to the 4D Systems website and either contact Support directly, or use the 4D Systems Forum. [www.4dsystems.com.au](http://www.4dsystems.com.au)

#### 3.3. Changing the brightness (Angstrom)

By default the backlight brightness of the 4D CAPE 4.3 is set to 50% with Angstrom distribution (20.06.2013). It is possible to change the backlight brightness as the backlight is PWM controlled.

Please note, these instructions may become obsolete as new versions of Angstrom are released, or if different distributions are used.

One method is to SSH into the Beaglebone Black from your PC, and set the backlight value that way. Note this does not persist over restarts, so this would need to be entered into a startup script if the setting is required to be set each startup.

At the command prompt, type the following:

```
cd /sys/class/backlight/backlight.10/
echo 100 > brightness
```

Where 100 represents 100%, this can be changed to any number from 0 to 100 as required.

### 3.4. Changing the brightness (Android)

Changing the brightness on Android is simple. Navigate to the Settings menu, and to the Display option, and then to Brightness. Slide the slider to the desired position.

### 3.5. Android Information

The 4DCAPE-43(T) is compatible with Android 4.2.2 and has been tested with an image from TI (see section 3.2).

It has been noticed however that the EEPROM Jumpers both need to be connected/closed otherwise the CAPE may not be detected by the Android OS.

### 3.6. Calibrating resistive touch (Angstrom)

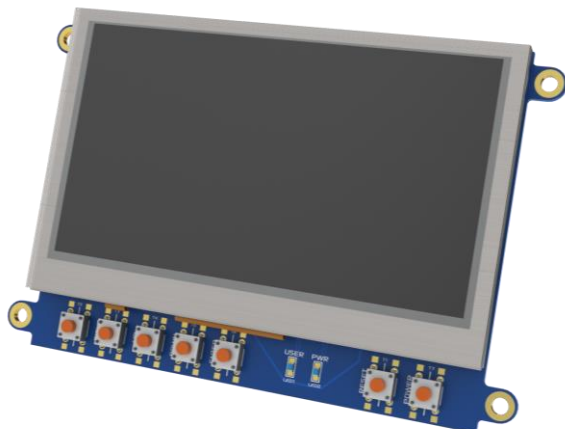
When a distribution is used for the first time with a 4DCAPE-43T, the default calibration application that comes with the Angstrom distribution is started automatically (Refer to section 3.2) on startup of Angstrom. If the calibration is however input incorrectly and it is required to be set again, a file must be deleted manually in order to then recalibrate the display.

Note, this may change as newer distributions of Angstrom become available, or if different distributions are used, so these instructions may become obsolete or inaccurate.

One method is to SSH into the BBB using your PC, navigate to the following folder and delete the specified file.

```
/etc/pointercal.xinput
```

Once this file has been deleted, the calibration utility can be run again.



## 4. EEPROM Details

On the 4D 4.3" LCD CAPE there is an EEPROM which is used to configure the Beagle Bone Black with the appropriate configuration in order to use the Cape.

Depending if the board is a 4DCAPE-43 or a 4DCAPE-43T the EEPROM contents will vary slightly.

**Please note:** some EEPROM content refers to the LCD4 which is made by CircuitCo. This is the case due to how the BBB identifies the CAPE and what drivers to apply to it. Since the 4DCAPE-43(T) utilises the LCD4 drivers, this must be the case.

### 4.1. 4DCAPE-43 EEPROM

EEPROM Support: YES  
Board Name: 4D 4.3 LCD CAPE - 4DCAPE-43  
Manufacturer: 4D Systems

### 4.2. 4DCAPE-43T EEPROM

EEPROM Support: YES  
Board Name: 4D 4.3 LCD CAPE - 4DCAPE-43T  
Manufacturer: 4D Systems



**Note (\*):** The Beaglebone, Beaglebone Black and Beagleboard remains the property of beaglebone.org. All references to the words Beaglebone, Beaglebone Black, Beagleboard are licensed under a Creative Commons Attribution-Share Alike 3.0 license.

All references to CircuitCo and LCD4 remain the property of CircuitCo and beagleboardtoys.org and are not affiliated to 4D Systems in any way.

## 5. Software / Driver Disclaimer

4D Systems has developed this 4DCAPE-43(T) CAPE for the Beaglebone Black, and is based on hardware already present in the market. 4D Systems does NOT support any software associated with the BBB nor software and drivers associated with this CAPE. It is up to the user to determine which software is used on the BBB and which distributions are used on the BBB, and therefore which are compatible with this CAPE.

4D Systems has been made aware that there may be touch related issues with the Angstrom Distribution (Possibly others if based on the same issue source) of Linux, and the mouse may appear to 'self touch' or jump around the screen on touch, or generally behave erratically. Since 4D Systems has not developed nor supports anything to do with the software associated with this hardware, 4D Systems is unable to assist or offer support regarding this matter. \*\* A Fixed Kernel is now available, 3.8.13-bone37 while solves this issue \*\* This Kernel is available via the Debian download which is linked on our Product Page.

The Android distribution listed in this document does not feature this erratic touch behaviour and effectively illustrates the issues are software or driver related, and not hardware.

If these issues are encountered, it is encouraged to try the Android distribution to verify it is not a hardware issue. If the issue remains, please contact the 4D Systems Technical Support. If the issue is no longer present and touch works correctly on Android, then please contact the [beaglebone.org](http://beaglebone.org) community.

The 4DCAPE-43(T) utilises drivers which have been written for other devices on the market and the hardware is set up in a similar fashion. Drivers for the Circuitco LCD4 are utilised for this CAPE and therefore if fixes are made to improve compatibility with the LCD4, they should also function correctly for the 4DCAPE-43(T).

4D Systems is not responsible for issues regarding software or drivers associated with the BBB and the compatibility with this product. Only Community software support is allowed via resources at [www.beaglebone.org/discuss](http://www.beaglebone.org/discuss)

## 6. Notes

---

---

---

---

---

---

---

---

---

---

---

---

---

---

---

---

---

---

---

---

---

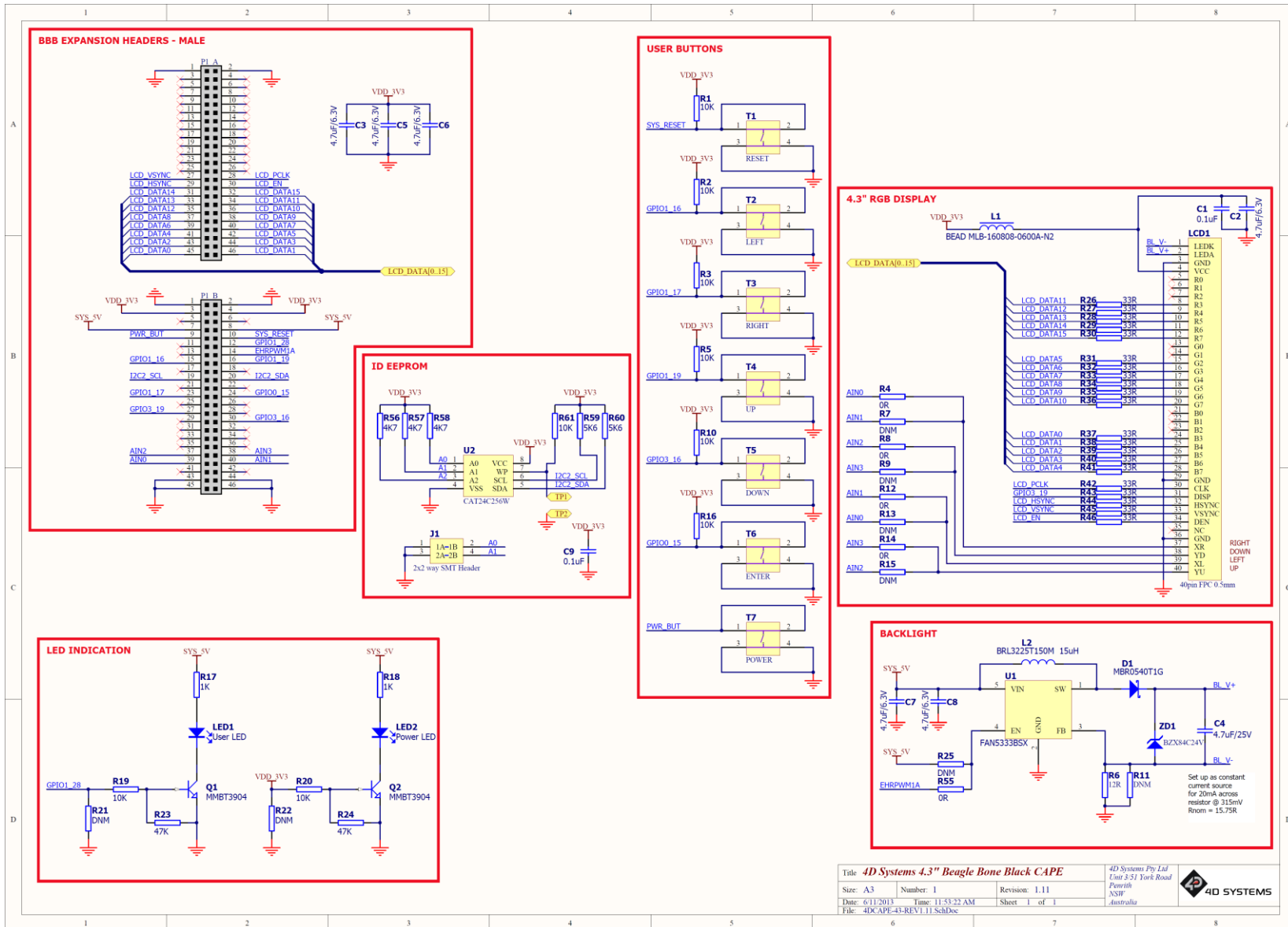
---

---

---

7. Schematic Diagram – HW REV 1.1

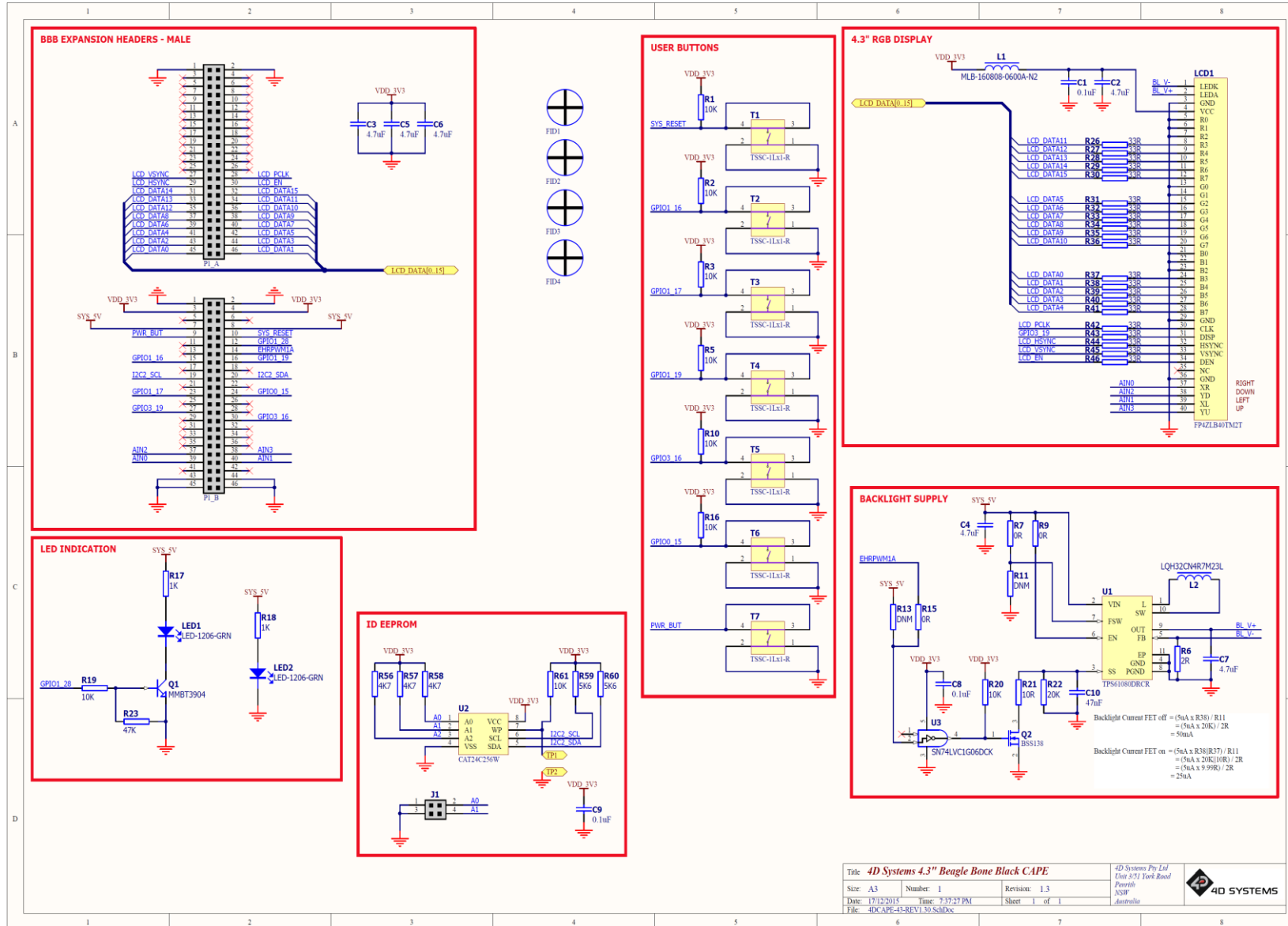
4D 4.3" LCD CAPE – BBB



Title: 4D Systems 4.3" Beagle Bone Black CAPE			4D Systems Pty Ltd Unit 3/51 York Road Parrish NSW Australia	
Size: A3	Number: 1	Revision: 1.11		
Date: 6/11/2013	Time: 11:53:22 AM	Sheet: 1 of 1		
File: 4DCAPE-43-REV1.11.SchDoc				

8. Schematic Diagram – HW REV 1.3

4D 4.3" LCD CAPE - BBB

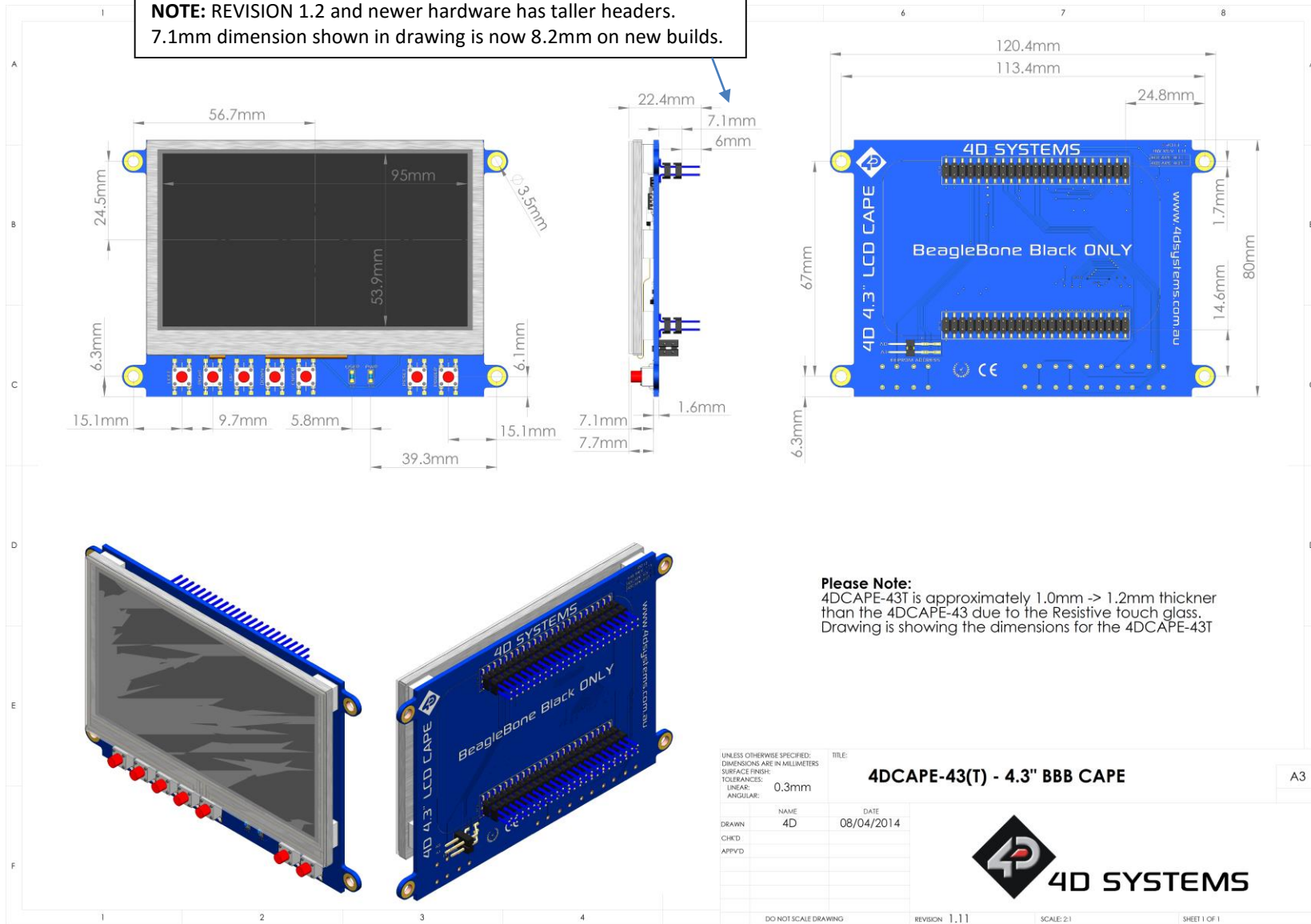


Title: 4D Systems 4.3" Beagle Bone Black CAPE		4D Systems Pty Ltd Dist: 431 York Road Perth NSW Australia	
Size: A3	Number: 1	Revision: 1.3	
Date: 17/12/2015	Time: 7:37:27 PM	Sheet: 1 of 1	
File: 4DCAPE-43-REV1.30.SchDoc			



9. Mechanical Details

**NOTE:** REVISION 1.2 and newer hardware has taller headers. 7.1mm dimension shown in drawing is now 8.2mm on new builds.



**Please Note:**  
4DCAPE-43T is approximately 1.0mm -> 1.2mm thicker than the 4DCAPE-43 due to the Resistive touch glass. Drawing is showing the dimensions for the 4DCAPE-43T

## 10. Ordering Information

### ORDERING INFORMATION

**Order Code:**

4DCAPE-43 (Non Touch)

4DCAPE-43T (Resistive Touch)

**Packaging:** Module sealed in antistatic foam padded 4D Systems Box

## 11. Legal Notice

### Proprietary Information

The information contained in this document is the property of 4D Systems Pty. Ltd. and may be the subject of patents pending or granted, and must not be copied or disclosed without prior written permission.

4D Systems endeavours to ensure that the information in this document is correct and fairly stated but does not accept liability for any error or omission. The development of 4D Systems products and services is continuous and published information may not be up to date. It is important to check the current position with 4D Systems. 4D Systems reserves the right to modify, update or make changes to Specifications or written material without prior notice at any time.

All trademarks belong to their respective owners and are recognised and acknowledged.

### Disclaimer of Warranties & Limitation of Liability

4D Systems makes no warranty, either expressed or implied with respect to any product, and specifically disclaims all other warranties, including, without limitation, warranties for merchantability, non-infringement and fitness for any particular purpose.

Information contained in this publication regarding device applications and the like is provided only for your convenience and may be superseded by updates. It is your responsibility to ensure that your application meets with your specifications.

Images and graphics used throughout this document are for illustrative purposes only. All images and graphics used are possible to be displayed on the 4D Systems range of products, however the quality may vary.

In no event shall 4D Systems be liable to the buyer or to any third party for any indirect, incidental, special, consequential, punitive or exemplary damages (including without limitation lost profits, lost savings, or loss of business opportunity) arising out of or relating to any product or service provided or to be provided by 4D Systems, or the use or inability to use the same, even if 4D Systems has been advised of the possibility of such damages.

4D Systems products are not fault tolerant nor designed, manufactured or intended for use or resale as on line control equipment in hazardous environments requiring fail – safe performance, such as in the operation of nuclear facilities, aircraft navigation or communication systems, air traffic control, direct life support machines or weapons systems in which the failure of the product could lead directly to death, personal injury or severe physical or environmental damage ('High Risk Activities'). 4D Systems and its suppliers specifically disclaim any expressed or implied warranty of fitness for High Risk Activities.

Use of 4D Systems' products and devices in 'High Risk Activities' and in any other application is entirely at the buyer's risk, and the buyer agrees to defend, indemnify and hold harmless 4D Systems from any and all damages, claims, suits, or expenses resulting from such use. No licenses are conveyed, implicitly or otherwise, under any 4D Systems intellectual property rights.

## 12. Contact Information

For Technical Support: [www.4dsystems.com.au/support](http://www.4dsystems.com.au/support)

For Sales Support: [sales@4dsystems.com.au](mailto:sales@4dsystems.com.au)

Website: [www.4dsystems.com.au](http://www.4dsystems.com.au)

Copyright 4D Systems Pty. Ltd. 2000-2015.