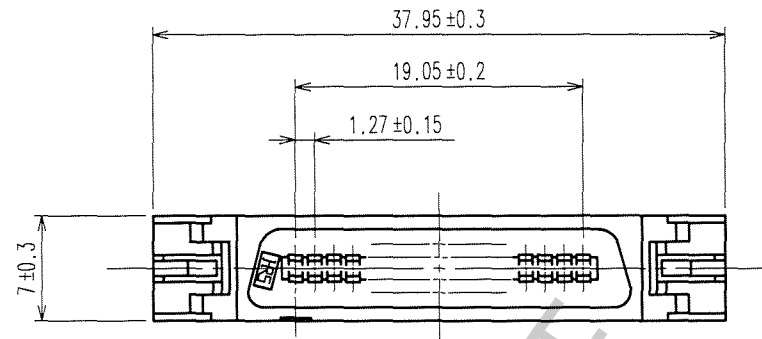
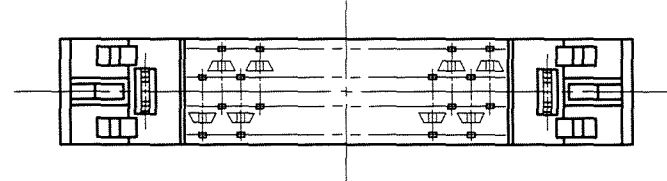
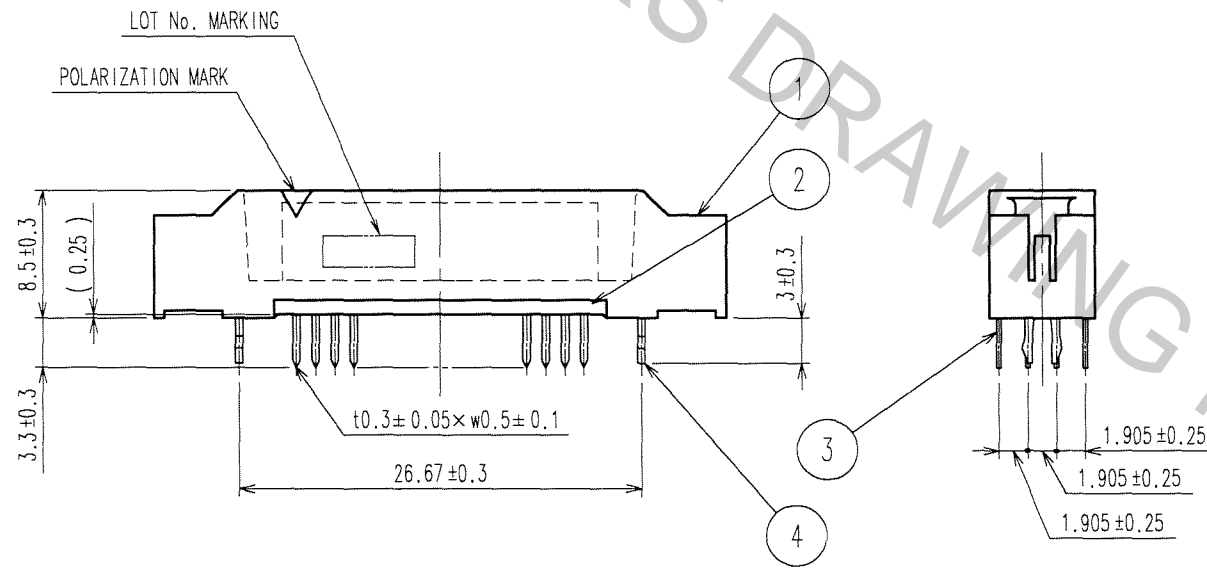
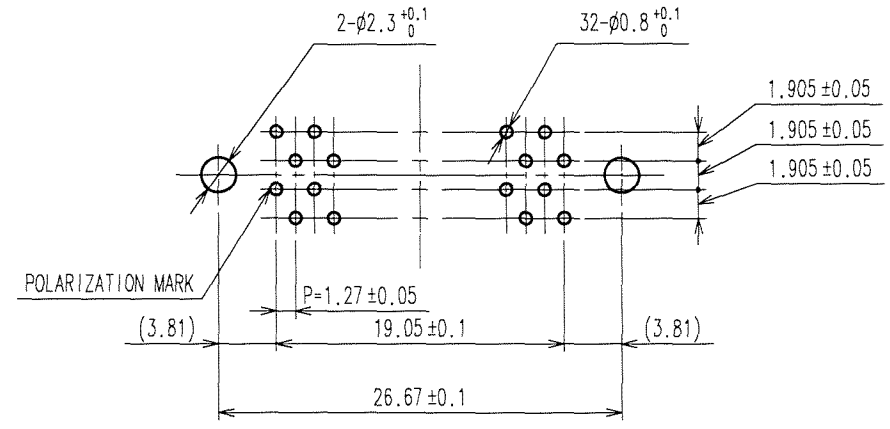


Apr.1.2017 Copyright 2017 HIROSE ELECTRIC CO., LTD. All Rights Reserved.

COUNT	DESCRIPTION OF REVISIONS	BY	CHKD	DATE	COUNT	DESCRIPTION OF REVISIONS	BY	CHKD	DATE



RECOMMENDED PC BOARD HOLE PATTERN(MOUNTING SIDE)



NOTE 1 THE DIMENSIONS IN PARENTHESES ARE FOR REFERENCE.

TO
PCK

4	PHOSPHOR BRONZE	TIN-PLATING	3	PHOSPHOR BRONZE	CONTACT AREA:GOLD 0.2 μ m min.
1,2	POLYAMIDE	BLACK UL94V-0			DIP AREA:TIN-PLATING 2μ m min.
					UNDER PLATING:NICKEL 2μ m min.
NO.	MATERIAL	FINISH, REMARKS	NO.	MATERIAL	FINISH, REMARKS

CODE NO. (OLD) CL	DRAWN A. SUZUKAWA '06.04.04	DESIGNED <i>H. Nakamura</i> '06.04.13	CHECKED <i>H. Ozawa</i> '06.04.13	APPROVED <i>H. Okawa</i> '06.04.13	RELEASED
----------------------	-----------------------------------	---	---	--	----------

SCALE 2 : 1	DRAWING NO. EDC3-083533-21	PART NO. FX2B-32P-1.27DSAL(71)
UNITS mm	HRS HIROSE ELECTRIC CO., LTD	CODE NO. CL572-0852-5-71