

4

3

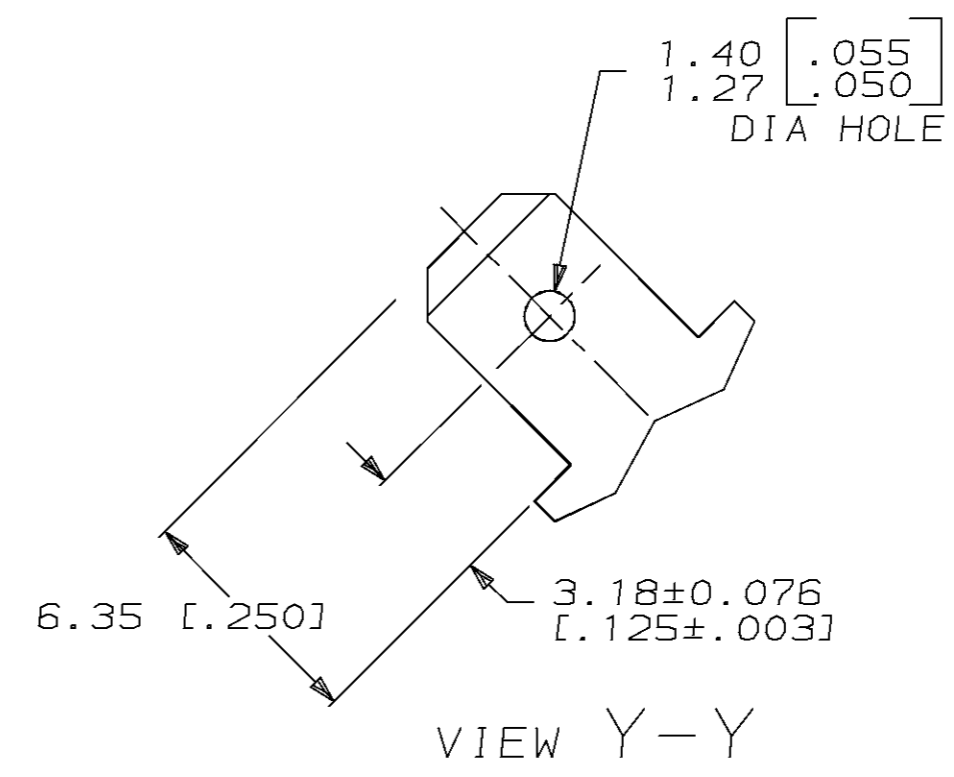
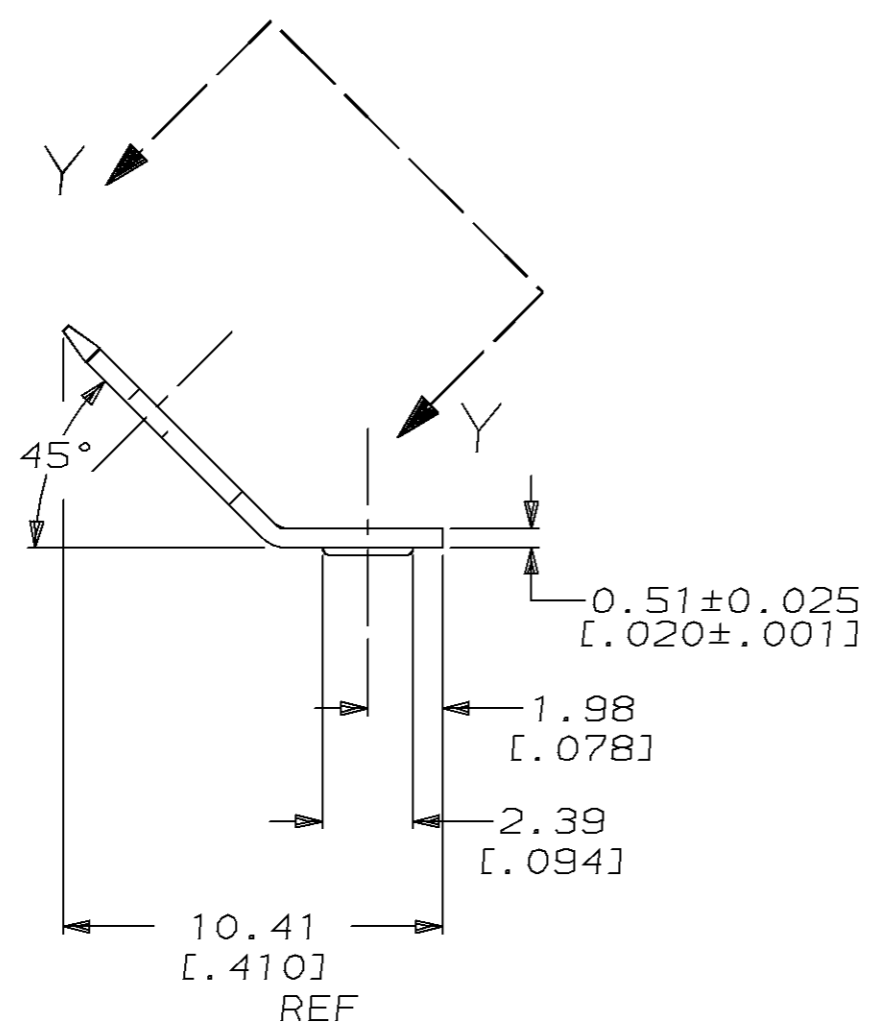
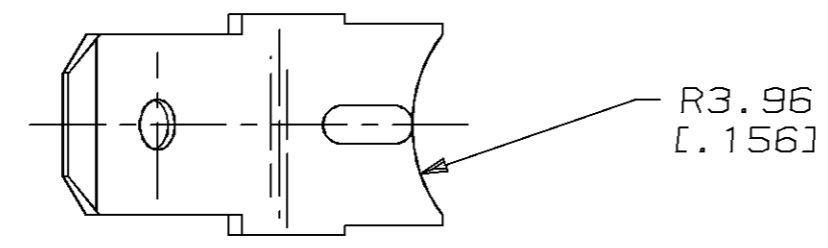
2

1

THIS DRAWING IS UNPUBLISHED. RELEASED FOR PUBLICATION, 19 .
 © COPYRIGHT 19 BY AMP INCORPORATED. ALL RIGHTS RESERVED.

LOC	DIST	REVISIONS			
P	LTR	DESCRIPTION	DATE	DWN	APVD
AF	50				
	D	REDRAWN PER 0L10-0033-97	1/24/97	JR	JH

1 SUPPLIED IN LOOSE PIECE.



61960-1
 PART NO.

THIS DRAWING IS A CONTROLLED DOCUMENT.		DWN	JR RUTH	1/24/97	AMP	AMP Incorporated	
DIMENSIONS: MM [INCHES]		CHK	MS FEHER	1/24/97		Harrisburg, PA 17105-3608	
TOLERANCES UNLESS OTHERWISE SPECIFIED:		APVD	J HUZVAR	1/24/97	NAME		
0 PLC ±-		PRODUCT SPEC		TAB, FASTON, 4.75 [.187] SERIES			
1 PLC ±-		APPLICATION SPEC		SIZE			
2 PLC ±0.38 [.015]		WEIGHT		A3		CAGE CODE	
3 PLC ±-		CUSTOMER DRAWING		00779		DRAWING NO	
4 PLC ±-		SCALE		5:1		SHEET	
ANGLES ±-		SHEET		1 OF 1		REV	
MATERIAL	T3 STEEL	FINISH		0.00381 [.000150]			
		MIN NICKEL					