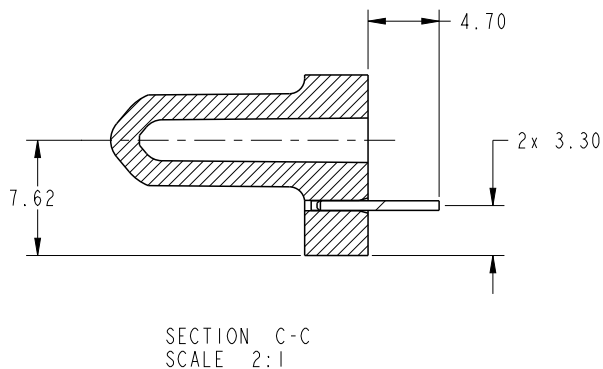
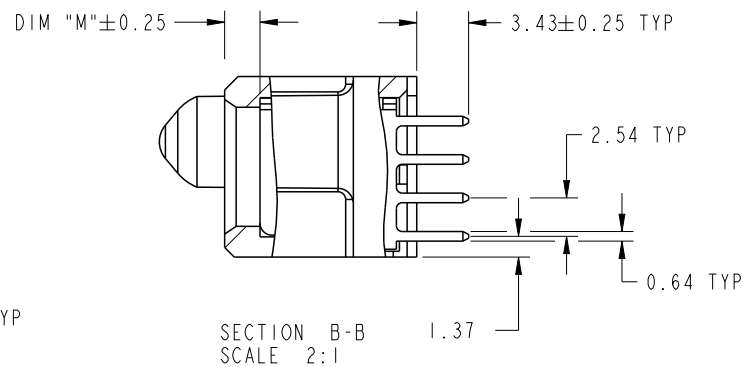
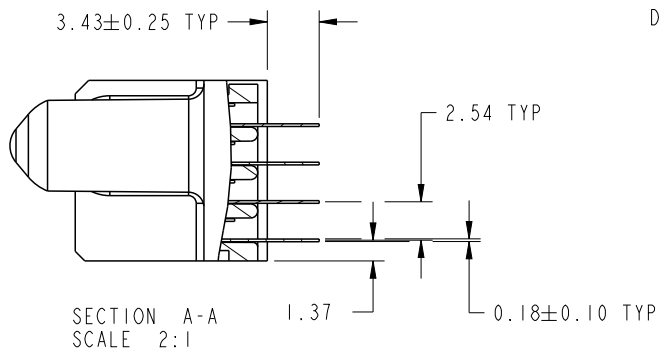


PRODUCT NUMBER

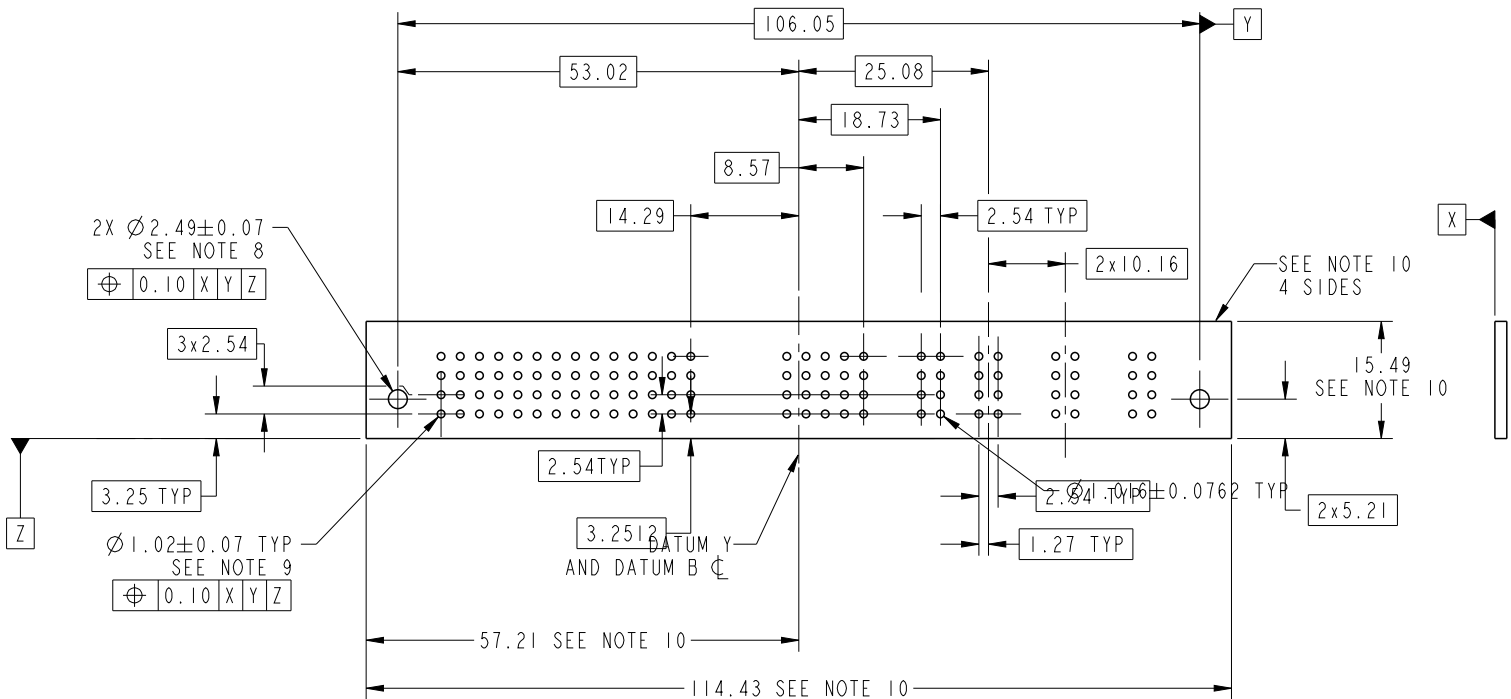
51940-528__
NOTE: 3



dr	De-Ming Lu	2014/03/26	projection 	MM 	size	A4	scale	1:1
eng	De-Ming Lu	2014/04/15			ecn no	-		
chr	-	-			rel level	Released		
appr	Pei-Ming Zheng	2014/04/15	product family	PwrBlade	rev	A		
	title	5P + 108S VERTICAL SOLDER RECEIPT		dwg no	51940-528			
www.fci.com	cat. no.	*	Product - Customer Drw		sheet 2 of 4			

PRODUCT NUMBER

51940-528__
NOTE: 3



RECOMMENDED PCB LAYOUT

dr	De-Ming Lu	2014/03/26	projection 	MM 	size	A4	scale	1:1
eng	De-Ming Lu	2014/04/15			ecn no	-		
chr	-	-			rel level	Released		
appr	Pei-Ming Zheng	2014/04/15	product family	PwrBlade				
		title 5P + 108S VERTICAL SOLDER RECEPT	dwg no 51940-528	rev A				
www.fci.com		cat. no.	*	Product - Customer Drw	sheet 3 of 4			



Copyright FCI.

PRODUCT NUMBER

51940-528__
NOTE: 3

NOTES:

1. DIMENSIONS AND TOLERANCES ARE IN ACCORDANCE WITH ASME Y14.5M, 1994 UNLESS OTHERWISE SPECIFIED.

CONNECTOR NOTES:

- 2 HOUSING MATERIAL: UL 94 V-0 GLASS FILLED HIGH-TEMP THERMOPLASTIC
POWER CONTACT MATERIAL: COPPER ALLOY
SIGNAL PIN MATERIAL: COPPER ALLOY
- 3. SEE ITEM 5 & 6 IN PRINT 10064183 FOR PLATING SPEC OF 51940-528 AND 51940-528LF RESPECTIVELY.
- 4 MANUFACTURER'S NAME, DATE CODE AND OPTIONAL P/N TO APPEAR ON THIS SURFACE. THE MARK CAN BE OMITTED IF THERE IS NOT ENOUGH SPACE ON THIS SURFACE.
- 5. PRODUCT SPECIFICATION GS-12-149.
APPLICATION SPECIFICATION BUS-20-067.
- 6. PACKAGED IN TRAYS.
- PCB NOTES:
- 7. ALL HOLE DIAMETERS ARE FINISHED HOLE SIZE.
- 8 MOUNTING HOLES, WHERE APPLICABLE, ARE UNPLATED.
- 9 $\varnothing 1.151 \pm 0.025$ DRILLED HOLES PLATED WITH
0.008 MIN SnPb OR Sn OVER 0.03
TO 0.08 Cu PLATING TO ACHIEVE
 $\varnothing 1.02 \pm 0.07$ HOLE.
- 10 CONNECTOR KEEP-OUT ZONE.
- 11. THE VOID CORING IN BETWEEN POWER MODULES, SIGNAL MODULES AND END MODULES ARE OPTIONAL AND THE SHAPE MAY BE DIFFERENT FOR OPTIMIZE THE MOLDING PROCESS. THE VOID CORING WILL NOT EFFECT TO PRODUCT FUNCTION.



Copyright FCI.

dr	De-Ming Lu	2014/03/26	projection 	MM 	size	A4	scale	1:1
eng	De-Ming Lu	2014/04/15			ecn no	-		
chr	-	-			product family	PwrBlade	rel level	Released
appr	Pei-Ming Zheng	2014/04/15			title 5P + 108S VERTICAL SOLDER RECEPT	dwg no 51940-528	rev A	
www.fci.com		cat. no.	*	Product - Customer Drw		sheet 4 of 4		