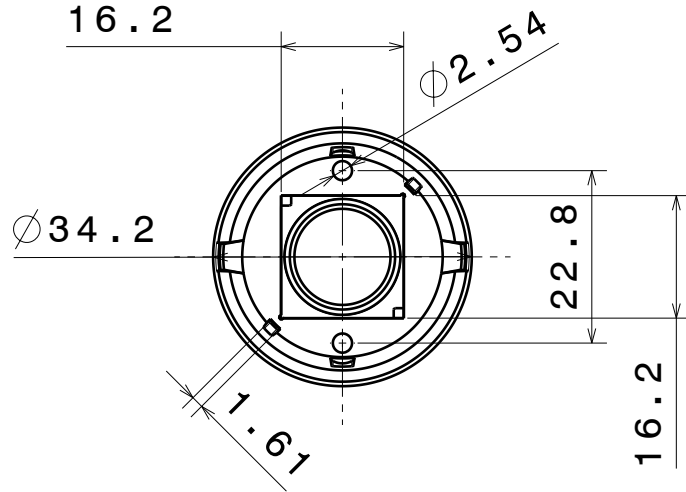
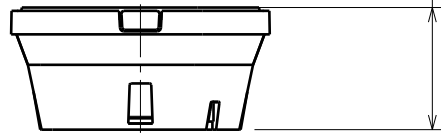


Isometric view



Bottom view



Front view

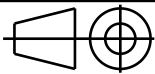
Materials:

- LENS: PC
- HOLDER: PC, black
- TAPE: PU foam

Tolerances if not otherwise shown
 According to DIN ISO 2768-1
 Linear measures:
 Up to 30mm class M, otherwise class C.
 According to DIN ISO 2768-2
 Form and position: class L

LEDiL Ledil Oy
 Salorankatu 10
 FIN 24240 SALO
 Finland

THIRD ANGLE PROJECTION:



DRAWING TITLE

Datasheet MIRA assembly

This drawing is the property
 of LEDiL Oy. It may not be
 reproduced, copied or
 communicated without a written
 agreement with LEDiL Oy."

16.11.2012

SIZE PART NUMBER

A4

-

SCALE 1:1 WEIGHT

SHEET 1/1