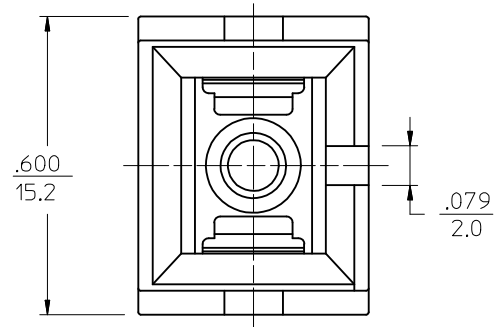
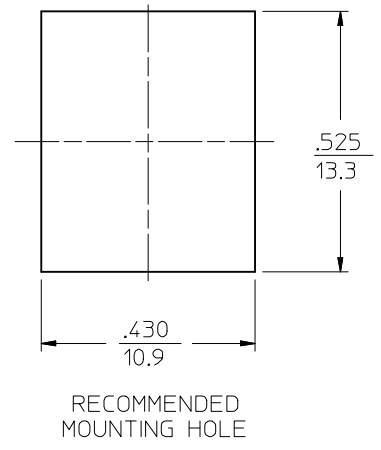
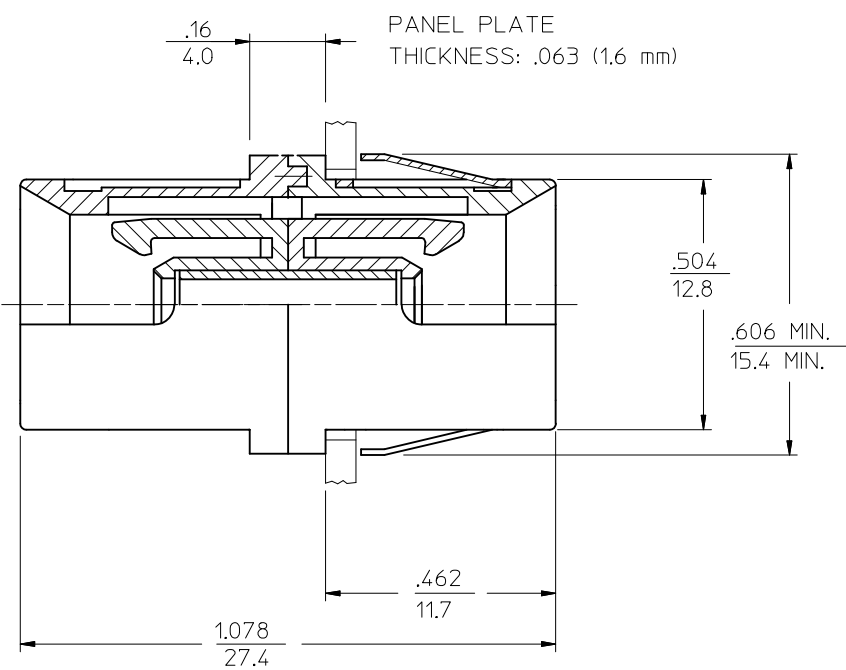
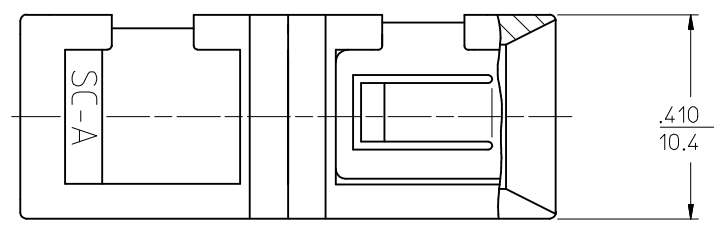


10	9	8
P/N OF ADAPTER	MATERIAL OF SPLIT SLEEVE	COLOR OF ADAPTER SHELL
106170-0100	CERAMIC	BLACK
106171-0100	PHOSPHOR BRONZE	
106170-0120	CERAMIC	GREEN
106171-0120	PHOSPHOR BRONZE	
106171-1120*	PHOSPHOR BRONZE	RED
106170-0130	CERAMIC	
106171-0130	PHOSPHOR BRONZE	BLUE
106170-0150	CERAMIC	
106170-0153*	CERAMIC	BLUE
106171-0150	PHOSPHOR BRONZE	



- NOTES:
- DUST CAPS ARE NOT SHOWN BUT INCLUDED.
 - P/Ns 106171-1120 AND 106170-0153 ARE BULK PACKED ADAPTER KITS OF 100 PCS.
 - PLASTICS USED IN ADAPTERS ARE UL-94 V-0 RATED.

ENTER DESCRIPTION EC NO: MF2013-0749 DRAWN: LGUMIN 2013/06/04 CHKD: LGUMIN 2013/06/12 APPR: LGUMIN 2013/06/12 B	QUALITY SYMBOLS ▽=0 ▽=0	GENERAL TOLERANCES (UNLESS SPECIFIED)		DIMENSION STYLE IN/MM		SCALE 4:1	DESIGN UNITS INCH	THIRD ANGLE PROJECTION		
		4 PLACES	±---	±---	DRAWN BY	DATE	TITLE SC SMALL FLANGE ADAPTER			
		3 PLACES	±---	±---	RPACIFICI	2005/10/11				
		2 PLACES	±---	±---	CHECKED BY	DATE	APPROVED BY WCHEN 2010/07/01			
1 PLACE	±---	±---	MATERIAL NO.	DATE						
ANGULAR ±1/2°		DRAFT WHERE APPLICABLE MUST REMAIN WITHIN DIMENSIONS		SEE TABLE		MOLEX INCORPORATED DOCUMENT NO. SD-10617X-01X0		SHEET NO. 1 OF 01		
THIS DRAWING CONTAINS INFORMATION THAT IS PROPRIETARY TO MOLEX INCORPORATED AND SHOULD NOT BE USED WITHOUT WRITTEN PERMISSION										