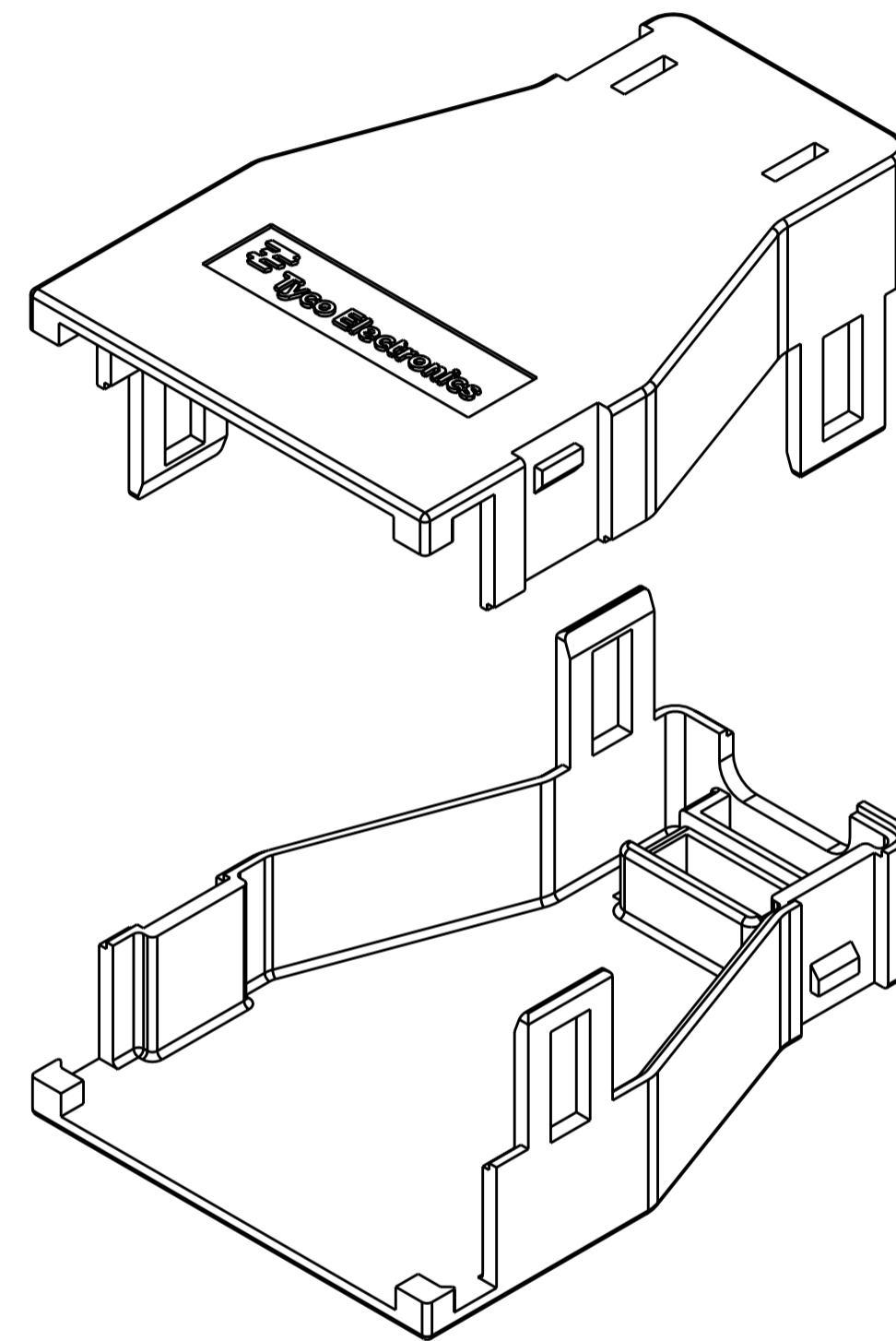
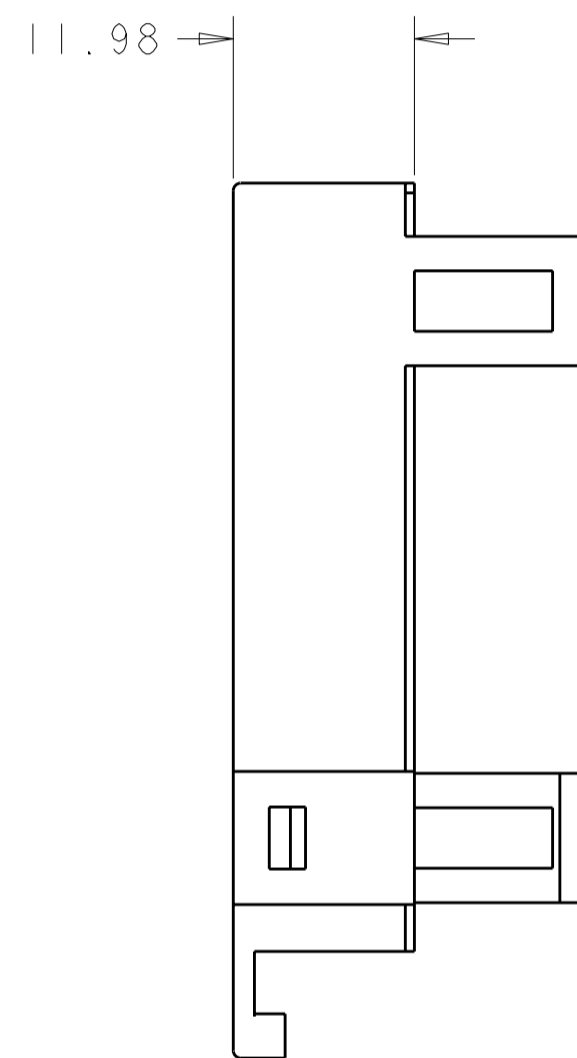
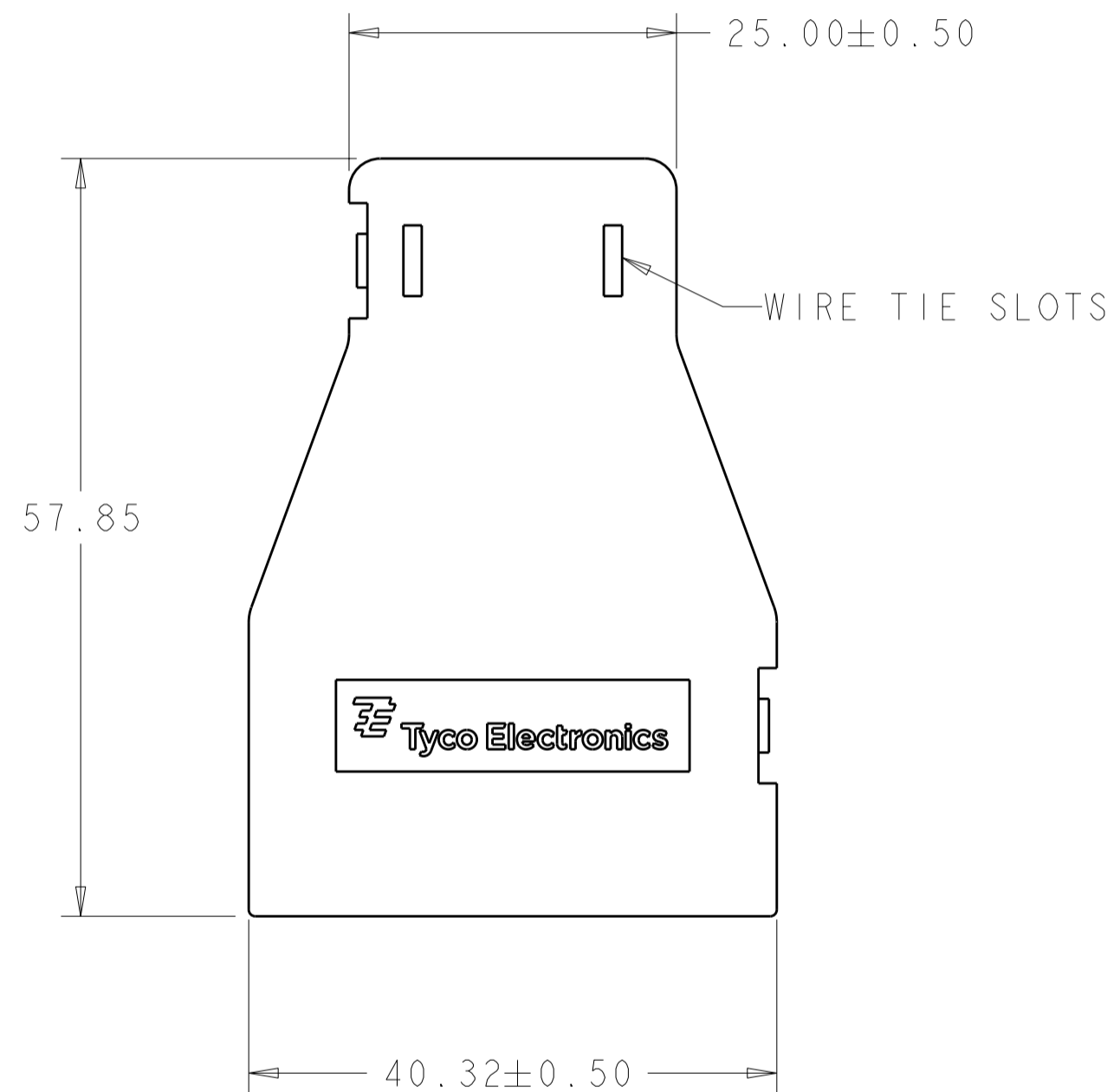
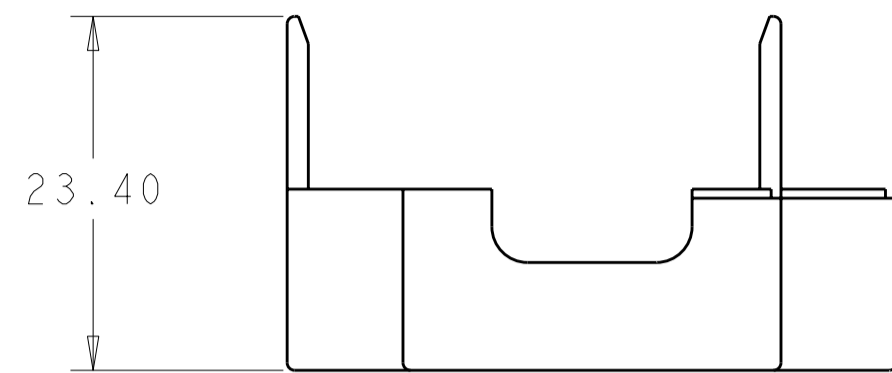


THIS DRAWING IS UNPUBLISHED. RELEASED FOR PUBLICATION 20  
 © COPYRIGHT 20 BY TYCO ELECTRONICS CORPORATION. ALL RIGHTS RESERVED.

LOC		DIST		REVISIONS			
P	LTR	DESCRIPTION	DATE	DWN	APVD		
	A	RELEASED	21SEP2007	SW	GS		



1. POLYESTER, UL 94V-0 RATED, COLOR: BLACK.
2. PART CONSISTS OF TWO (2) UNASSEMBLED STRAIN RELIEF HALVES.
3. PARTS ARE BULK PACKED.
4. ACCOMODATES 10-16 AWG WIRE.
5. USED ON D5200 DYNAMIC RECEPTACLE HOUSING.

1986185-1  
 PART NUMBER

THIS DRAWING IS A CONTROLLED DOCUMENT FOR TYCO ELECTRONICS CORPORATION. IT IS SUBJECT TO CHANGE AND THE CONTROLLING ENGINEERING ORGANIZATION SHOULD BE CONTACTED FOR THE LATEST REVISION.		DWN S. WELDON 24MAY2006	Tyco Electronics Harrisburg, PA 17105-3608	
DIMENSIONS: mm		CHK G. STEINHAUER 24MAY2006	NAME STRAIN RELIEF, 6 POSITION, D5200 DYNAMIC	
TOLERANCES UNLESS OTHERWISE SPECIFIED: 0 PLC ± 1 PLC ±0.5 2 PLC ±0.13 3 PLC ±0.013 4 PLC ±0.0001 ANGLES ± FINISH		APVD G. STEINHAUER 24MAY2006	RESTRICTED TO	
MATERIAL		PRODUCT SPEC	SIZE	CAGE CODE
		APPLICATION SPEC	A200779	C=1986185
		WEIGHT	SCALE 2:1	
		CUSTOMER DRAWING	SHEET 1 OF 1 REV A	