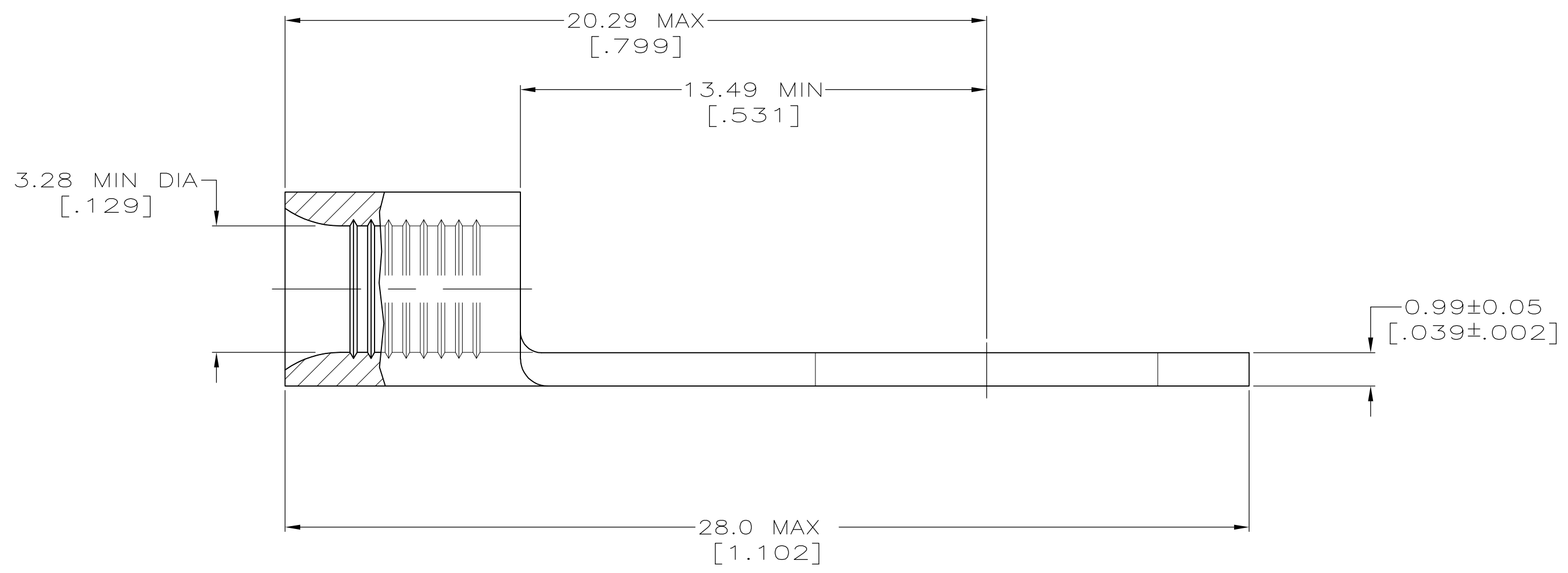
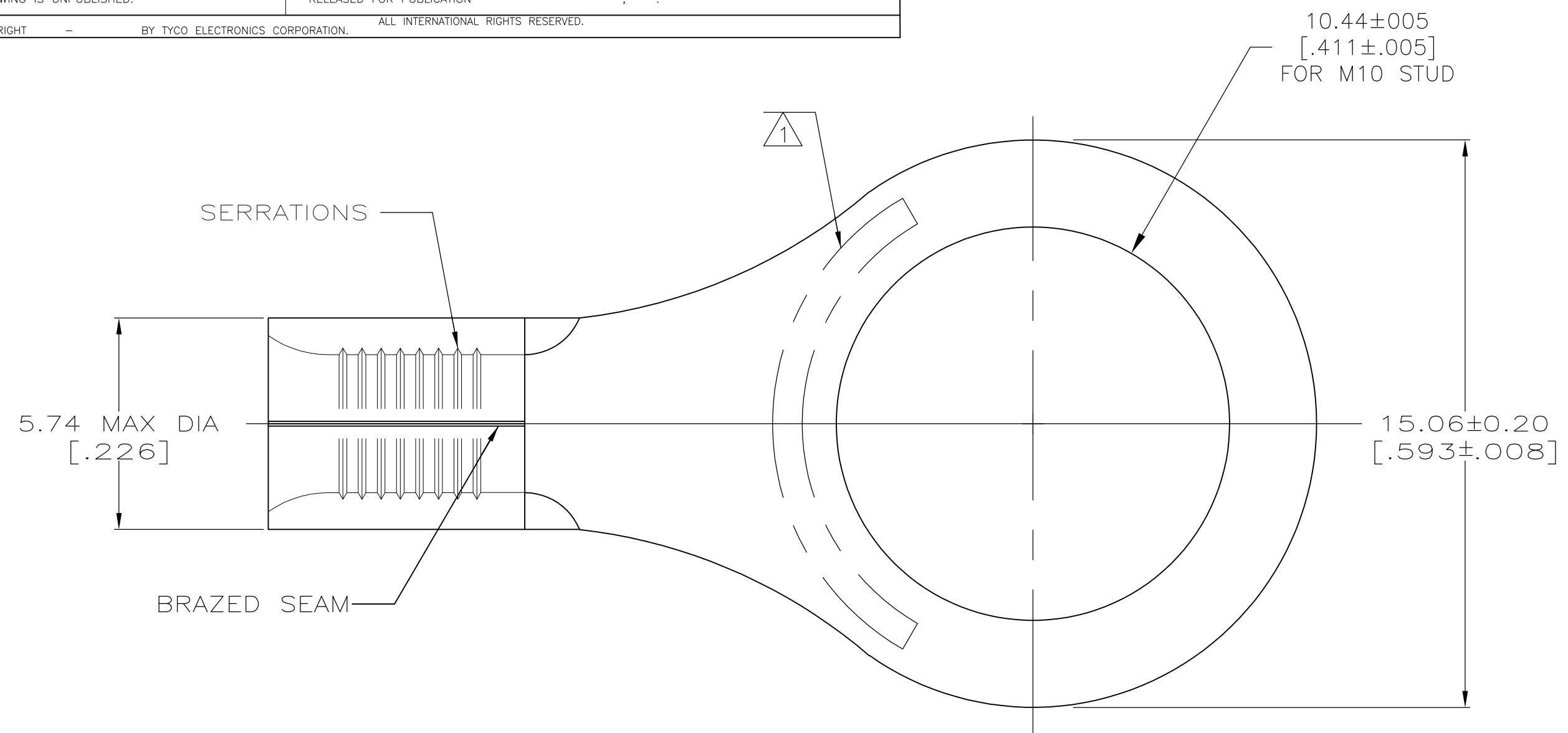


THIS DRAWING IS UNPUBLISHED. RELEASED FOR PUBLICATION  
 © COPYRIGHT BY TYCO ELECTRONICS CORPORATION. ALL INTERNATIONAL RIGHTS RESERVED.

LOC	DIST	REVISIONS			
P	LTR	DESCRIPTION	DATE	DWN	APVD
G	14	A2	REVISED PER ECR 08-017416	16JUL08	JR TM

**AMP WIRE SIZE**  
 12-10 AWG  
 SOLID OR STRANDED



- 1 STAMP AMP 12-10\* LOCATED APPROX AS SHOWN
- 2 COPPER PER ASTM B-152, ANNEALED
- 3 0.00254 [.000100] MIN TIN PER ASTM B-545
- 4 MAX RECOMMENDED OPERATING TEMP 170°C
- 5 WIRE CROSS SECTIONAL AREA RANGE. 2.62-6.64mm<sup>2</sup> [5,180-13,100] CIR MILS

1000	TAPE MOUNTED	2-160121-1
500	LOOSE PIECE	160121
QTY	PACKAGE TYPE	PART NO.

THIS DRAWING IS A CONTROLLED DOCUMENT.		DWN jr ruth 05JUN08	Tyco Electronics Corporation Harrisburg, PA 17105-3608	
DIMENSIONS: MM [ INCHES ]		CHK T MICHELUTTI 05JUN08	NAME T MICHELUTTI	
TOLERANCES UNLESS OTHERWISE SPECIFIED:		APVD T MICHELUTTI 05JUN08	PRODUCT SPEC	
0 PLC ± -		APPLICATION SPEC		
1 PLC ± -		WEIGHT		
2 PLC ± 0.2 [.008]		SIZE A2		
3 PLC ± -		CAGE CODE 00779		
4 PLC ± -		DRAWING NO 160121		
ANGLES ± -		RESTRICTED TO		
FINISH		SCALE 8:1		
MATERIAL		SHEET 1 of 1		
- 2		REV A2		
- 3		CUSTOMER DRAWING		