

NOTES:

1. MATERIALS AND FINISHES:

BODY - BRASS, NICKEL PLATING
 CONTACT - BRASS, GOLD PLATING
 INSULATOR - PTFE NATURAL

2. ELECTRICAL:

A. IMPEDANCE: 75 OHM
 B. FREQUENCY RANGE: 0-3 GHz
 C. DIELECTRIC WITHSTANDING VOLTAGE: 1500 VRMS, MIN.

3. MECHANICAL:

A. DURABILITY: 100 CYCLES MIN.
 B. TEMPERATURE RANGE: -40°C TO +140°C

4. CRIMPED FERRULE HEX CRIMP SIZE .178"

5. CONTACT CAN BE SOLDERED
 OR USE 4-WAY INDENT TOOL #47001

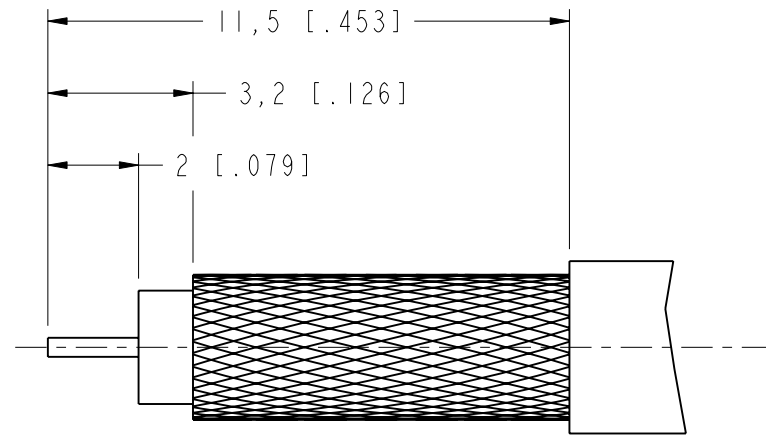
6 SHOWS CABLE ENTRY DIMENSIONS.

STAMP (IF ANY)

11 HEX.
 [.433]

3/8-32UNEF-2B

17,5 REF.
 [.689]

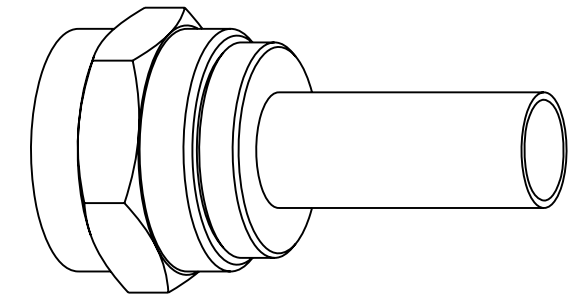


RECOMMENDED
 CABLE STRIPPING DIM'S

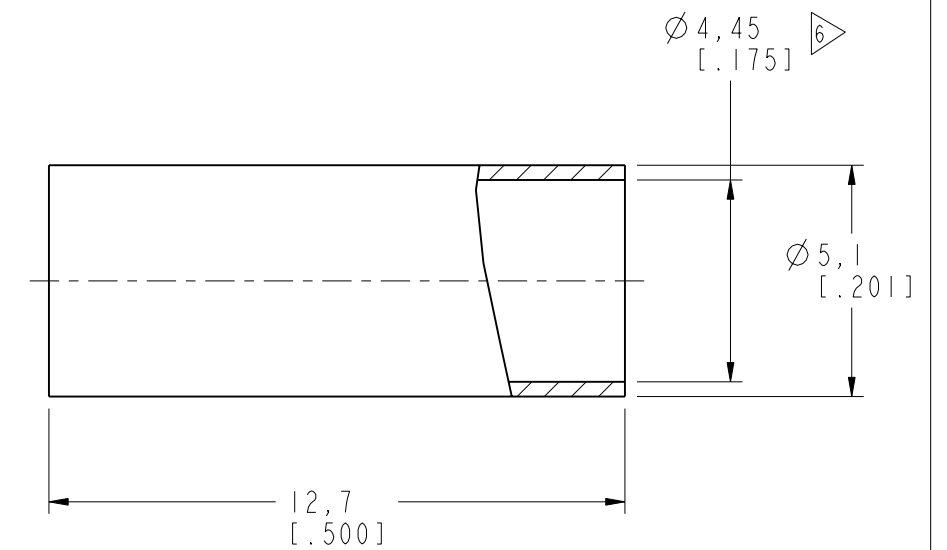
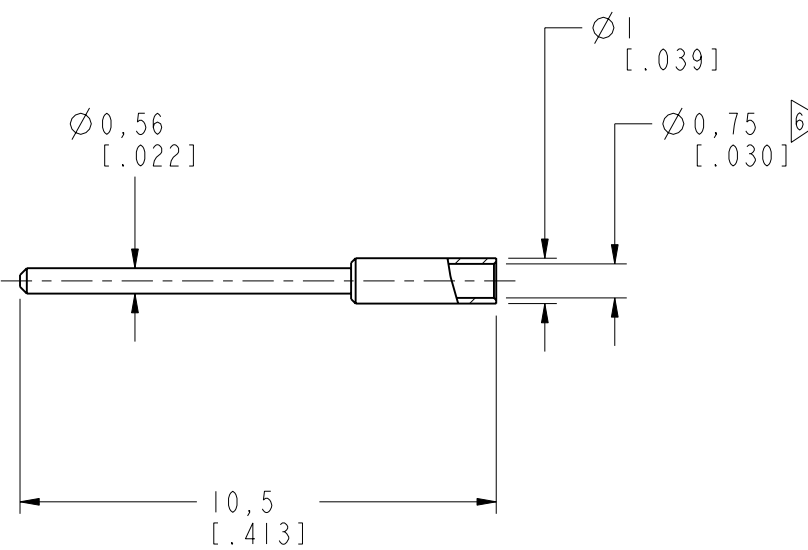
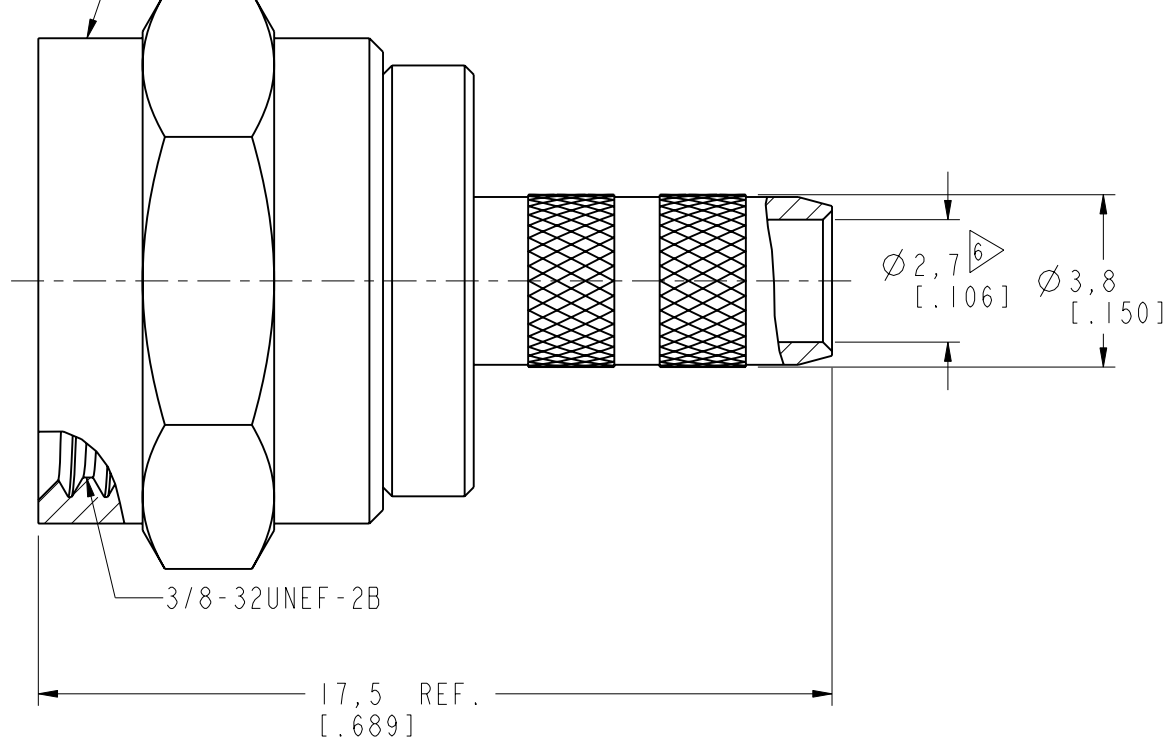
THIRD ANGLE PROJ.

REVISIONS

REV	DESCRIPTION	DATE	ECO	APPR
B	THE COUPLING NUT WAS CHANGED\RD-DM06071801C	08-Aug-06	----	CW
C	REDRAWN IN PRO-E	15-Jul-14	2763	SH
D	SYNC, THE CONTACT WAS CHANGED\RD-DMI5082101A1	25-Aug-16	02441	SH



SCALE 3.000



CUSTOMER OUTLINE DRAWING

ALL OTHER SHEETS ARE FOR INTERNAL USE ONLY

UNLESS OTHERWISE SPECIFIED, DIMENSIONS ARE IN METRIC AND TOLERANCES ARE:
 <0.5mm ±0.05mm 0.5 - 6mm ±0.1mm 6 - 30mm ±0.2mm 30 - 120mm ±0.3mm ANGLES ±1°

NOTICE - These drawings, specifications, or other data (1) are, and remain the property of Amphenol corp. (2) must be returned upon request; and (3) are confidential and not to be disclosed to any person other than those to whom they are given by Amphenol Corp. the furnishing of these drawings, specifications, or other data by Amphenol Corp., or to any other person for any purpose is not to be regarded by implication or otherwise in any manner licensing, granting rights to permitting such holder or any other person to manufacture, use or sell any product, process or design, patented or otherwise, that may in any way be related to or disclosed by said drawings, specifications, or other data.

MATERIAL	DRAWN M. ZHANG	DATE 23-Aug-16
REFERENCE AND CONFIGURATION LEVEL: In Work	ENGINEER GEFFERY	DATE 08-Aug-06
FINISH	APPROVED S. HSIEH	DATE 23-Aug-16
	CAD FILE	

TITLE F CRIMP PLUG (FOR BELDEN 8218 CABLE)	SCALE: 6.0:1.0	SHEET 2 OF 2
DWG SIZE B	REV D	

Amphenol RF	
www.amphenolrf.com	
DRAWING NO. 222126-NT3G	
ITEM NO. 041111AAY88NA7F	
PART NO. 222126	