

THIS DOCUMENT CONTAINS DATA PROPRIETARY TO PROJECTS UNLIMITED, INC. ANY USE OR REPRODUCTION, IN ANY FORM, WITHOUT PRIOR WRITTEN PERMISSION OF PROJECTS UNLIMITED, INC. IS PROHIBITED.
 ©2005, Projects Unlimited Inc.

SPECIFICATIONS

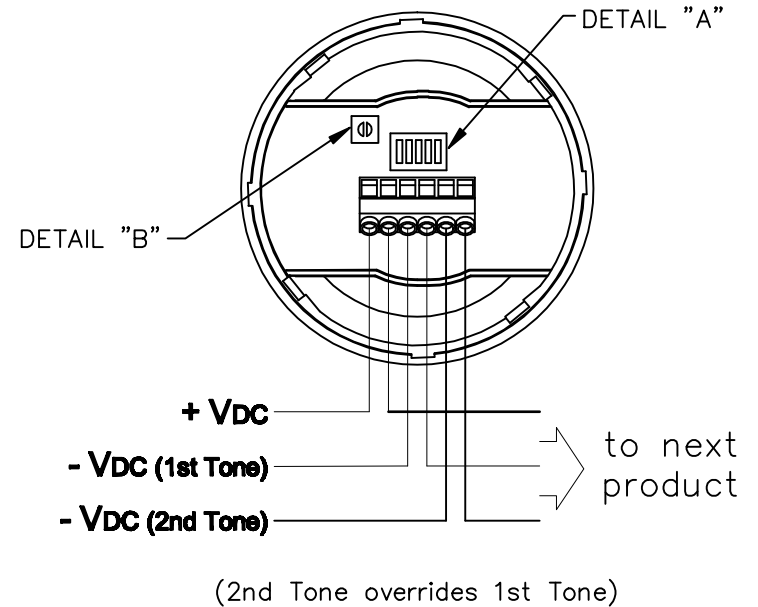
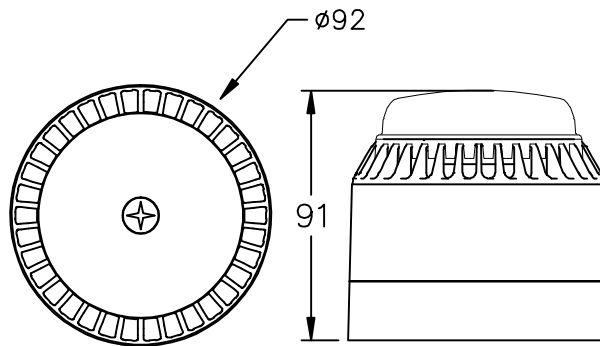
| PARAMETERS | VALUES | UNITS |
|-------------------------------|-------------------|------------|
| RATED VOLTAGE | 12 | Vdc |
| OPERATING VOLTAGE RANGE | 9 ~ 18 | Vdc |
| TONE OUTPUT | SEE 32 TONE CHART | - |
| CURRENT CONSUMPTION (NOMINAL) | SEE 32 TONE CHART | mA |
| INGRESS PROTECTION | IP54 | - |
| LENS COLOR | BLUE | - |
| FLASH RATE | 1 | PER/SECOND |
| CASE MATERIAL/COLOR | ABS/WHITE | - |
| TERMINAL | SCREW | - |
| OPERATING TEMPERATURE | -10 ~ +55 | °C |
| WEIGHT | 300 | grams |

| REVISIONS | | | |
|-----------|-------------------------------|----------|----------|
| LTR | DESCRIPTION | DATE | APPROVED |
| - | RELEASED FROM ENGINEERING | 12/16/05 | |
| A | ADDED RoHS & BASE NOTES | 5/21/07 | R.W. |
| B | REVISED DETAIL "A" DIL SWITCH | 3/12/09 | B.R. |

DETAIL "A"

DETAIL "B"

VOLUME CONTROL



OPTIONAL BASES
 DEEP BASE: AWA-DBW
 U BASE: AWA-UBW
 120Vac BASE: AWA-DBW-120

NOTES:

- ALL DIMENSIONS ARE IN MILLIMETERS.
- SPECIFICATION SUBJECT TO CHANGE OR WITHDRAWAL WITHOUT NOTICE.
- THIS PART IS RoHS 2002/95/EC COMPLIANT.
- IP65 WITH USE OF AWA-DBW, AWA-DBW-120, OR AWA-UBW BASE.

FILE NAME
 AVW-15SBW-BL-12.DWG

| UNLESS OTHERWISE SPECIFIED: DIMENSIONS ARE IN MILLIMETERS, TOLERANCES ARE ±0.5 AND ANGLES ARE ±3°. | | projects® unlimited Dayton, Ohio | | | | | | | | | |
|--|--------------------------------|-------------------------------------|------|--------------|-------|--------------|-------|---------------|-------|--------------|--|
| <table border="1"> <thead> <tr> <th>APPROVALS</th> <th>DATE</th> </tr> </thead> <tbody> <tr> <td>DRAWN J.A.F.</td> <td>12/05</td> </tr> <tr> <td>CHECKED E.P.</td> <td>12/05</td> </tr> <tr> <td>APPROVED B.R.</td> <td>12/05</td> </tr> </tbody> </table> | | APPROVALS | DATE | DRAWN J.A.F. | 12/05 | CHECKED E.P. | 12/05 | APPROVED B.R. | 12/05 | SIREN/STROBE | |
| APPROVALS | DATE | | | | | | | | | | |
| DRAWN J.A.F. | 12/05 | | | | | | | | | | |
| CHECKED E.P. | 12/05 | | | | | | | | | | |
| APPROVED B.R. | 12/05 | | | | | | | | | | |
| SIZE A | DRAWING NO. AVW-15SBW-BL-12 | | | | | | | | | | |
| DO NOT SCALE DRAWING | SCALE: N.T.S. | SHEET 1 OF 1 | | | | | | | | | |