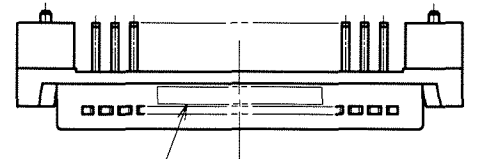
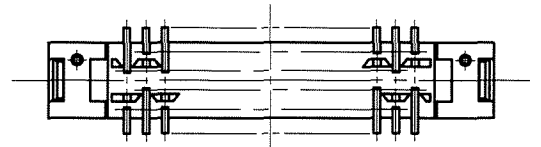
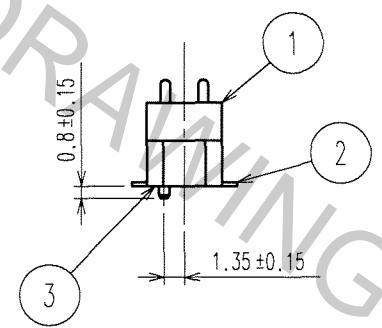
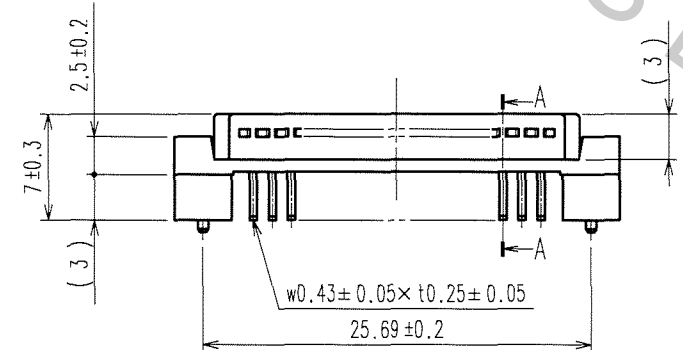
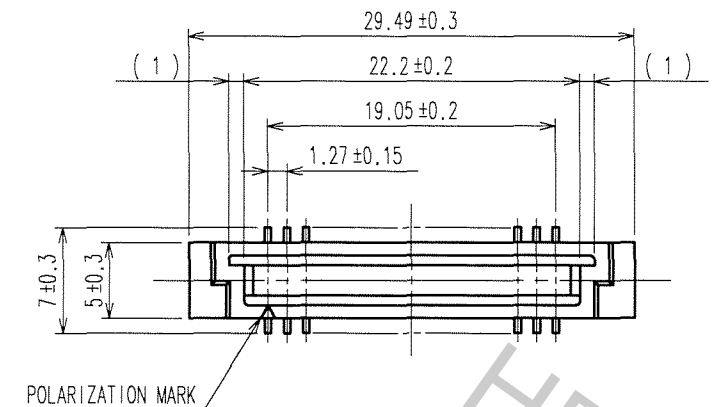
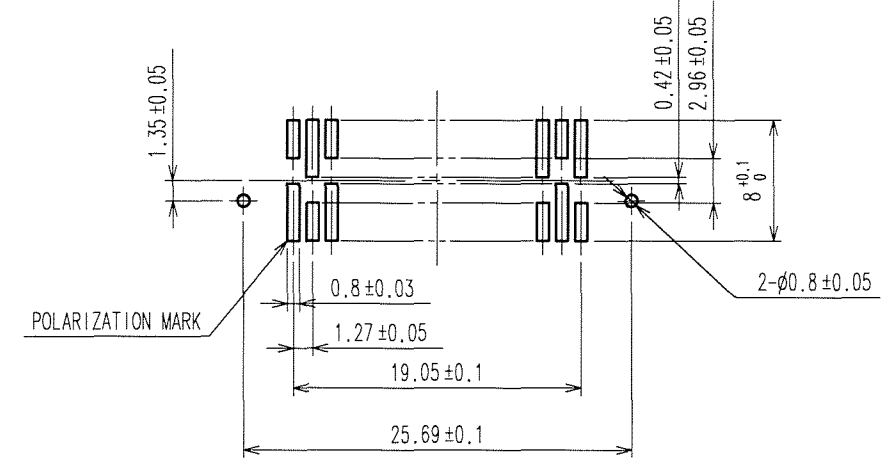


Apr.1.2017 Copyright 2017 HIROSE ELECTRIC CO., LTD. All Rights Reserved.

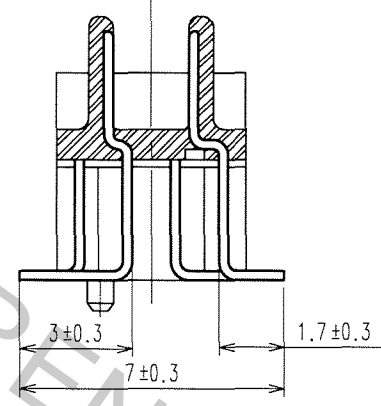
COUNT	DESCRIPTION OF REVISIONS	BY	CHKD	DATE	COUNT	DESCRIPTION OF REVISIONS	BY	CHKD	DATE
△					△				
△					△				
△					△				



RECOMMENDED P.C.B. LAND PATTERN  
(MOUNT SIDE)



A-A (5:1)



- NOTES
- 1 LOT No. SHALL BE INDICATED AT OPPTIONAL POSITION.
  - 2 LEAD CO-PLANARITY SHALL BE 0.15mm MAX.
  - 3 THE DIMENSIONS IN PARENTHESES ARE FOR REFERENCE.

1, 3	POLYAMIDE	BEIGE	UL94V-0	2	PHOSPHOR BRONZE	CONTACT AREA: GOLD 0.2μ m min. LEAD AREA: TIN-PLATING 1.2μ m min. UNDER PLATING: NICKEL 1μ m min.
NO.	MATERIAL	FINISH, REMARKS		NO.	MATERIAL	FINISH, REMARKS

CODE NO. (OLD) CL	DRAWN A. SUZUKAWA 06.07.10	DESIGNED K. Nakamura 06.07.10	CHECKED C. Ueyama 06.07.10	APPROVED H. Ohawa 06.07.10	RELEASED
----------------------	----------------------------------	-------------------------------------	----------------------------------	----------------------------------	----------

SCALE 2 : 1	DRAWING NO. EDC3-084004-21	PART NO. FX4B3-32P-1.27SV(71)
UNITS mm	<b>HRS</b> HIROSE ELECTRIC CO., LTD	CODE NO. CL574-0232-3-71

TO  
PCK

1/1