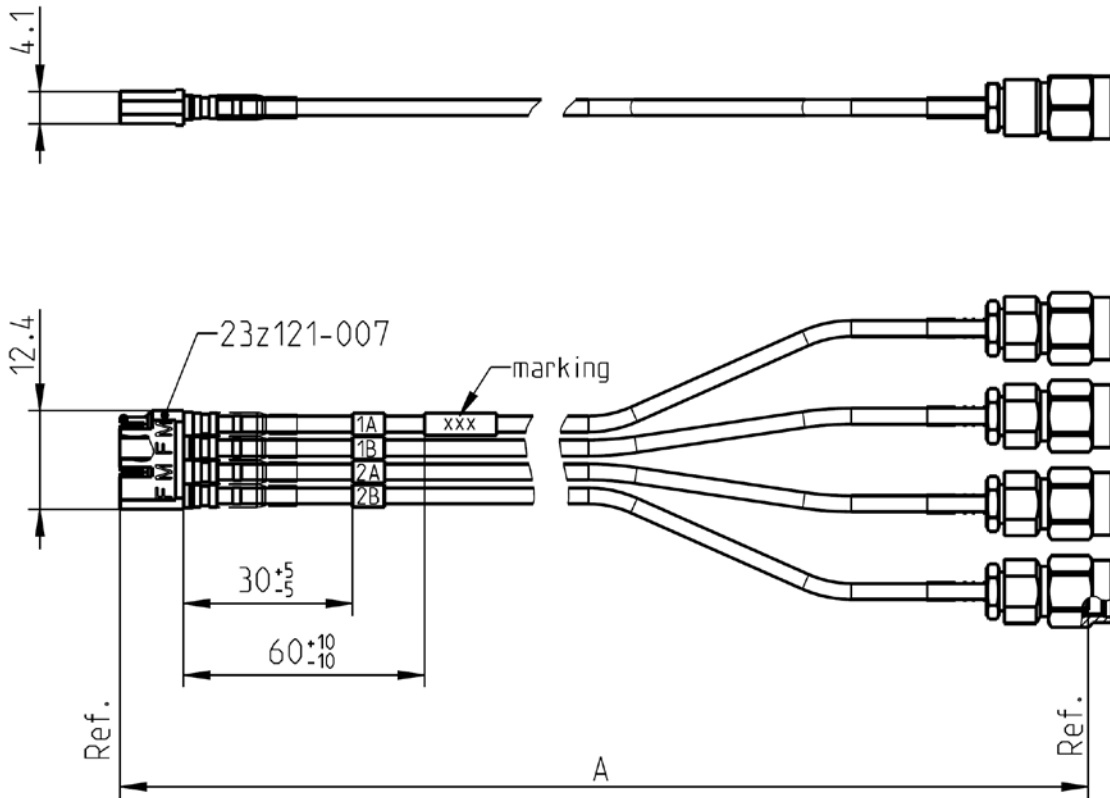


Technical Data Sheet

Rosenberger

Cable assembly
Mini Coax Plug/Jack - SMA Plug - RTK 047 Cable

L99-815-XXE



All dimensions are in mm; tolerances: $\pm 3\text{mm}$ for $A \leq 300\text{ mm}$; $\pm 1\%$ for $A > 300\text{ mm}$

Available variants

Type	max. Insertion loss at 20 GHz	Marking	Weight (g) / pce
L99-815-XXE	$\leq 0.0050\text{ dB/mm} * A\text{ mm} + 0.60\text{ dB}$	ROSENBERGER YYY- L99-815-XXE FAC-RRRRRRR ssss	$0,022\text{ g/mm} * A\text{ mm} + 21,4\text{ g}$

XX – length in cm
WW – week

E=4 Channel
YYYY – year

A=XX*10
ssss – serial no.

FAC – Factory Code

RRRRRRR – lot nr.

Note:

max. Insertion Loss:

First constant = Cable attenuation in dB /mm; Second Constant = Connector left and Connector right +needed Adaptor

Weight:

First constant = Cable- and Armour- weight per mm; Second Constant = Connector left and Connector right weight per pce

Technical Data Sheet

Rosenberger

Cable assembly

Mini Coax Plug/Jack - SMA Plug - RTK 047 Cable

L99-815-XXE

Assembly parts

Connector left	Mini Coax plug	23S103-270L3
Connector left	Mini Coax jack	23K103-270L3
Connector right	SMA plug	32S102-270L5
Cable	RTK 047	
Housing	23Z121-007	(4 channel) Luranyl KR 2402 gray

Electrical data

Impedance	50 Ω
Frequency	DC to 20 GHz
Return loss ¹	≥ 16 dB, DC to 20 GHz
Insertion loss ¹	see table available variants
Phase matched by pairs	max. 5ps delay difference

Individual testing:

The S-Parameters (S11; S22; S21; S12) will be tested and the cable pairs are measured for phase matching

¹ Return Loss and Insertion Loss includes the measurement adaptor

Mechanical data

Minimum bend radius:	
Single	5.1 mm
Multiple	10.2 mm

Environmental data

Temperature range	-40°C to +115°C
RoHS	compliant

While the information has been carefully compiled to the best of our knowledge, nothing is intended as representation or warranty on our part and no statement herein shall be construed as recommendation to infringe existing patents. In the effort to improve our products, we reserve the right to make changes judged to be necessary.

Draft	Date	Approved	Date	Rev.	Engineering change number	Name	Date
Martin Moder	27.07.15	Herbert Babinger	31.07.15	c00	15-1020	Kathrina Mitterer	31.07.15

Rosenberger Hochfrequenztechnik GmbH & Co. KG P.O.Box 1260 D-84526 Tittmoning Germany www.rosenberger.de	Tel. : +49 8684 18-0 Email : info@rosenberger.de	Page 2 / 2
--	--	---------------