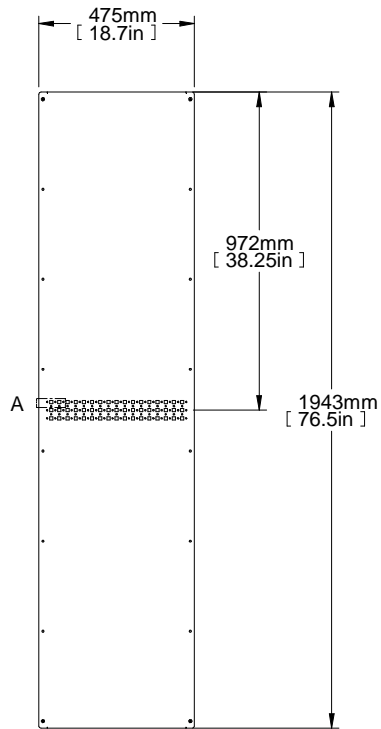
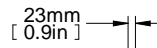


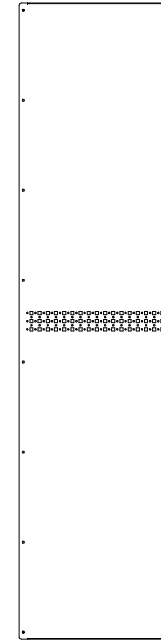
TOP VIEW



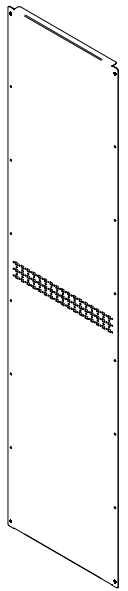
FRONT VIEW



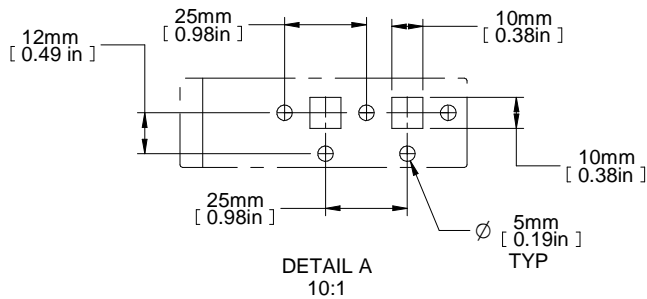
R.S. SIDE VIEW




REAR VIEW



ISOMETRIC



PART NUMBERS	
HSIP226	14 GAUGE GALVANIZED STEEL
NOTES	
Unpainted.	
Allows installation of 19" mounting rails including center support.	
See Hammond Website for Additional Accessories.	
Français	
Pour tous les détails sur nos produits, svp veuillez consulter notre site www.hammondmfg.com .	
Data subject to change without notice. Isometric drawing not to scale.	
Les données sont sujettes à changement sans préavis.	
	
PART NO.	HSIP226